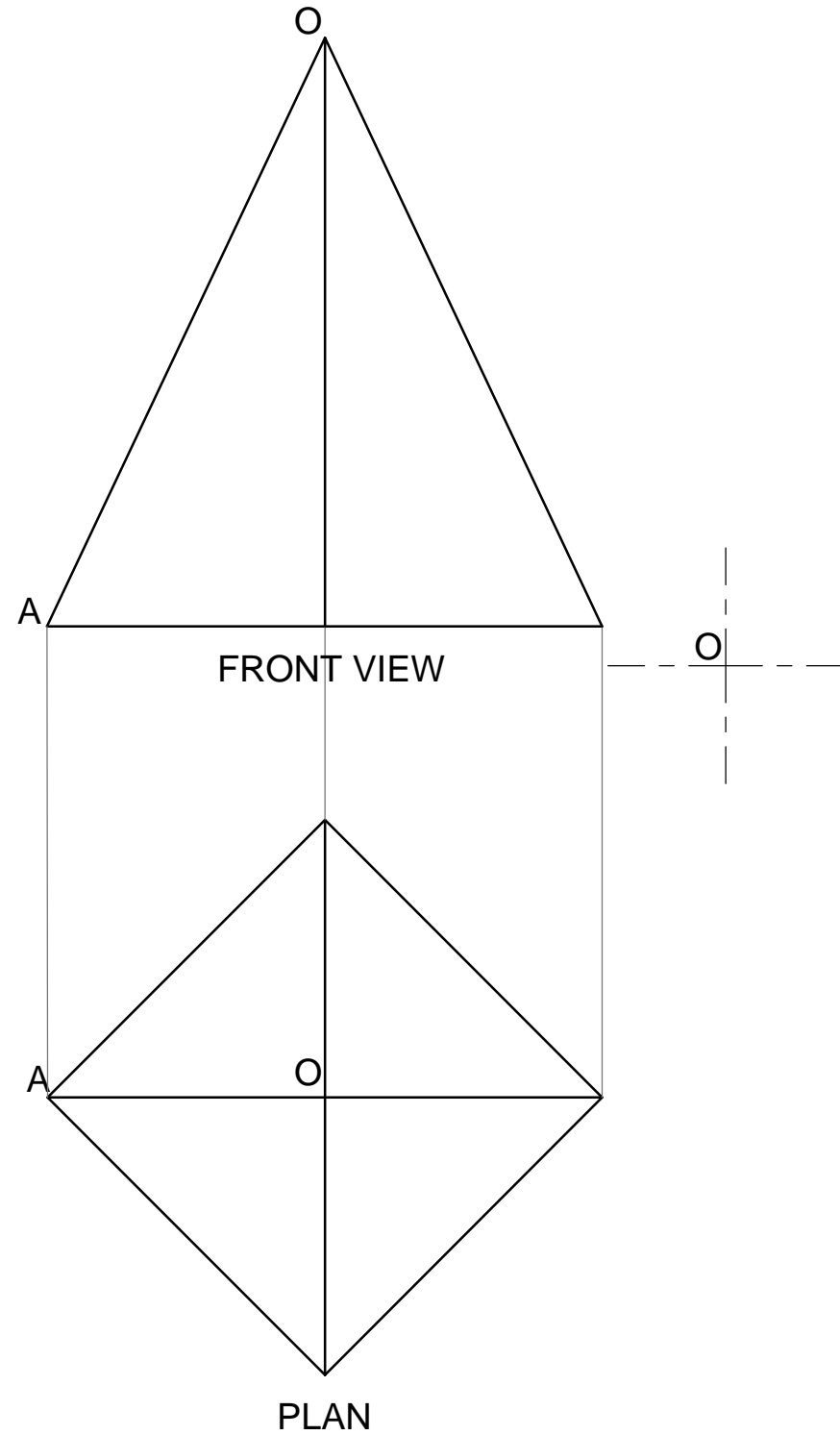


### Square base pyramid - STARTER SHEET

The front and plan views of a square base pyramid are given.

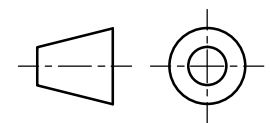
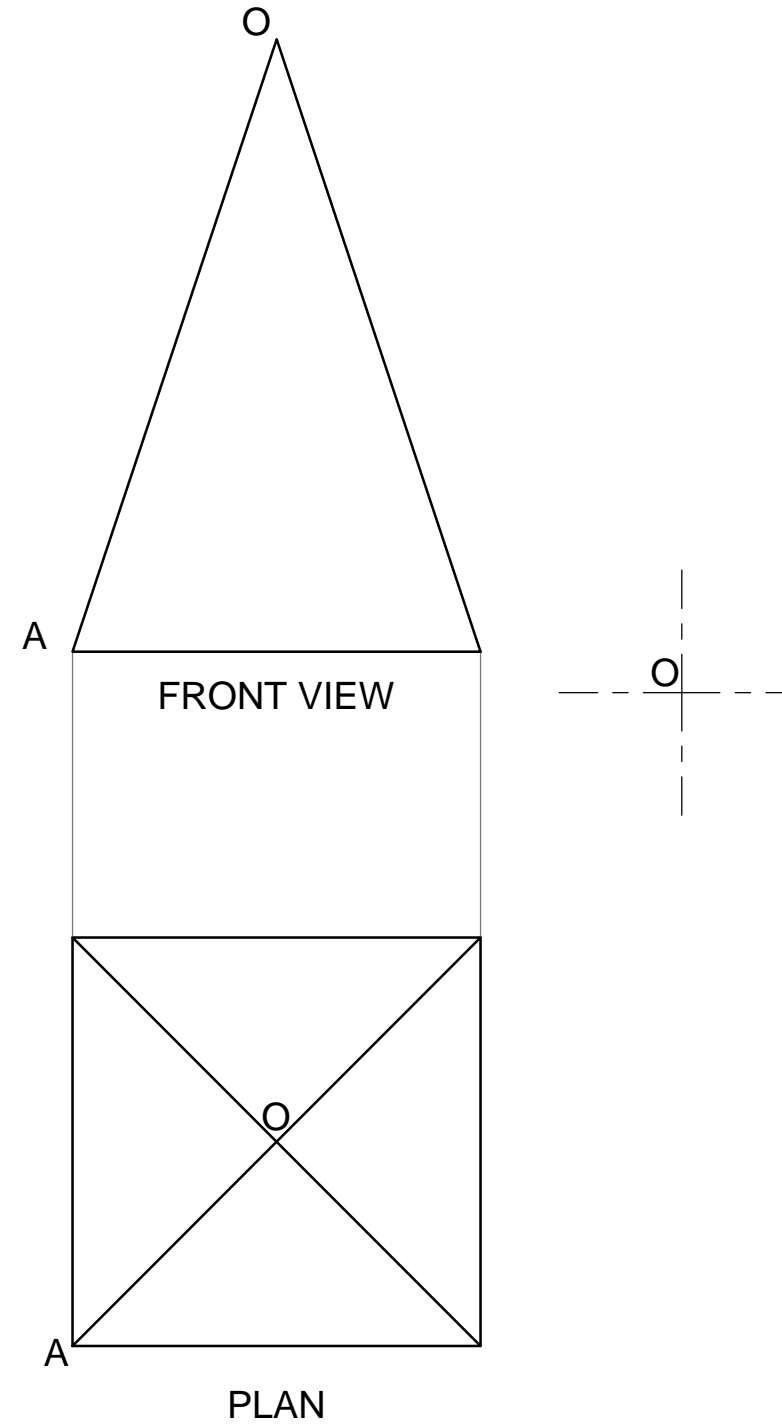
a) Construct the development of the given pyramid.

Note: Since OA in the plan is horizontal, OA in the front is a true length  
True length OA is \_\_\_ mm long.



To help you visualize the object better you can visit:  
<https://youtu.be/O7QaScLjtKg> for the video.

Note: Since OA in the plan is not horizontal, we need to find the true length of OA. True length OA is \_\_\_ mm long.

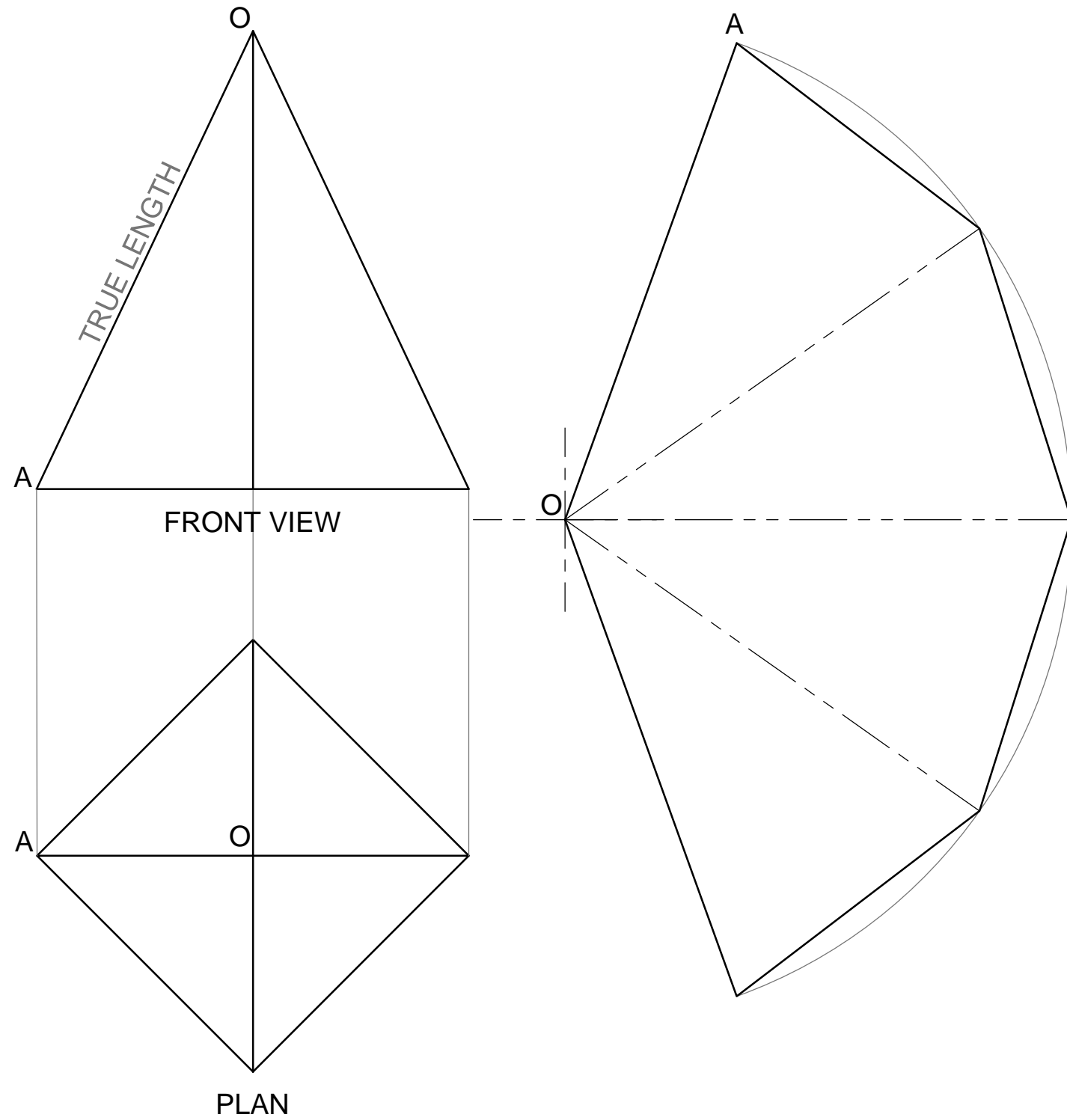


### Square base pyramid - ANSWER

The front and plan views of a square base pyramid are given.

a) Construct the development of the given pyramid.

Note: Since OA in the plan is horizontal, OA in the front is a true length  
True length OA is 90 mm long.



Note: Since OA in the plan is not horizontal, we need to find the true length of OA. True length OA is 90 mm long.

