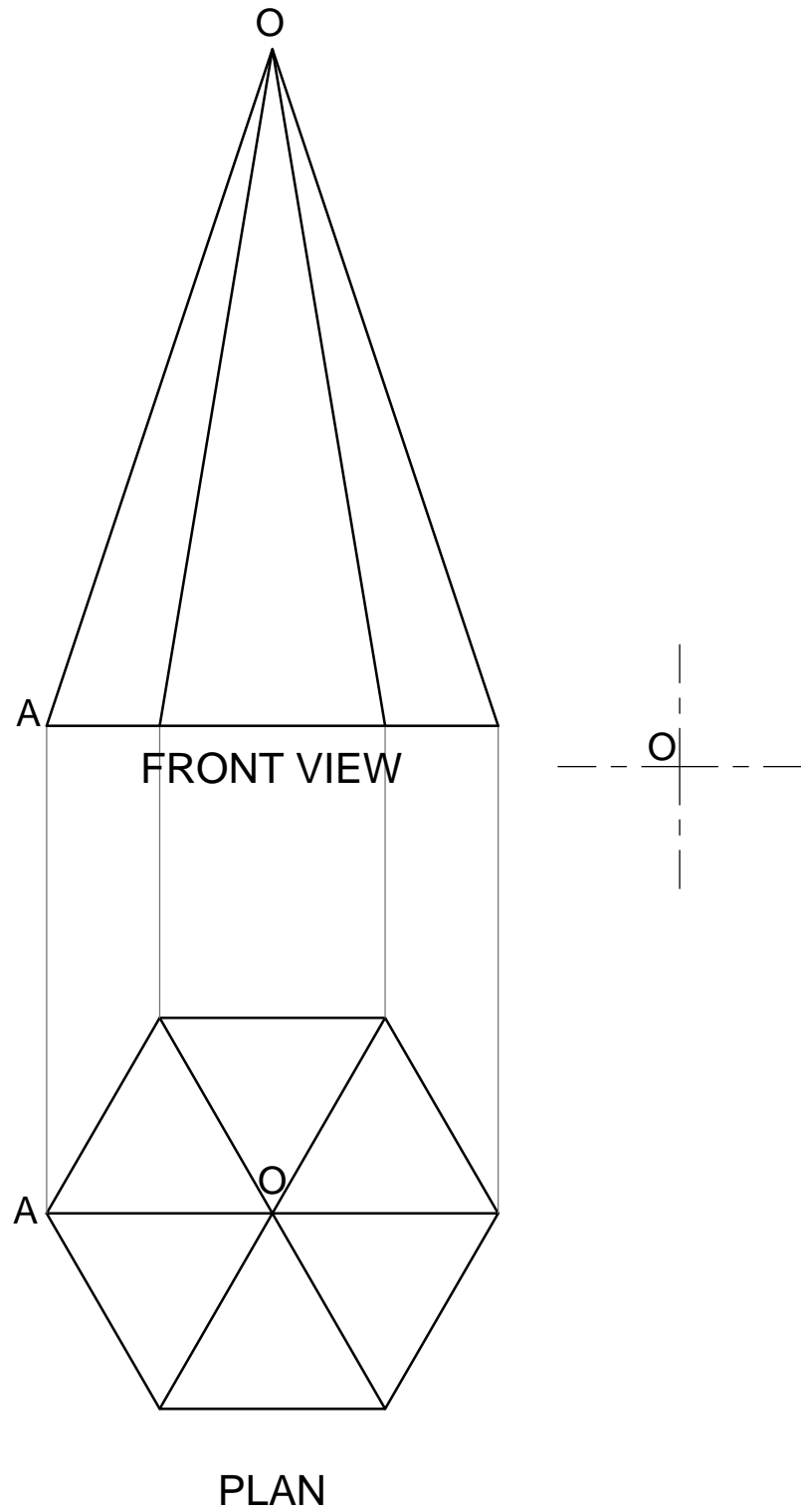


### Hexagonal base pyramid - STARTER SHEET

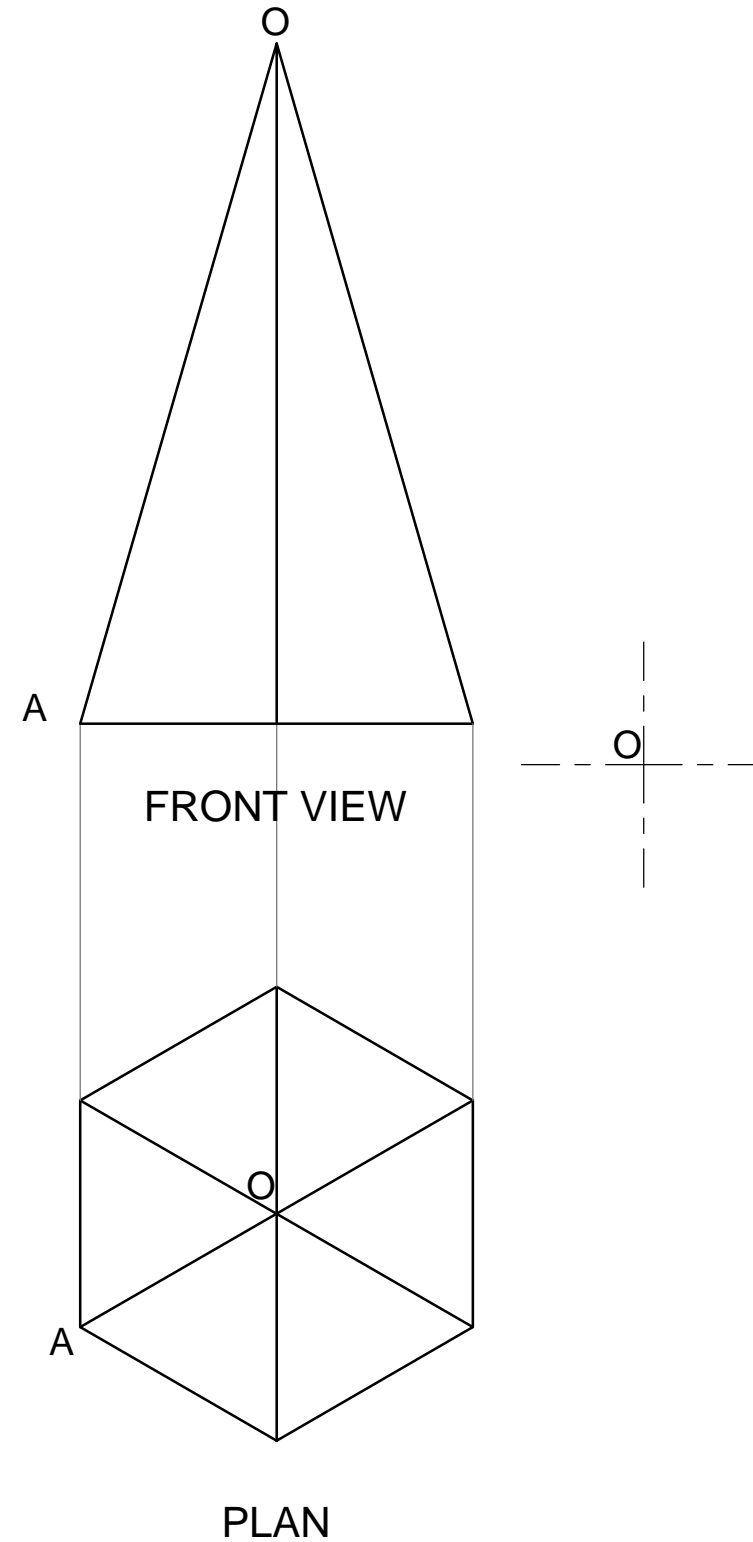
The front and plan views of a hexagonal base pyramid are given.

a) Construct the development of the given pyramid.

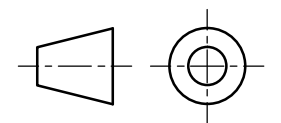
Note: Since OA in the plan is horizontal, OA in the front is a true length  
True length OA is \_\_\_\_mm long.



Note: Since OA in the plan is not horizontal, we need to find the true length of OA. True length OA is \_\_\_\_ mm long.



To help you visualize the object better you can visit:  
[https://youtu.be/CPsNtb\\_VSmU](https://youtu.be/CPsNtb_VSmU) for the video.

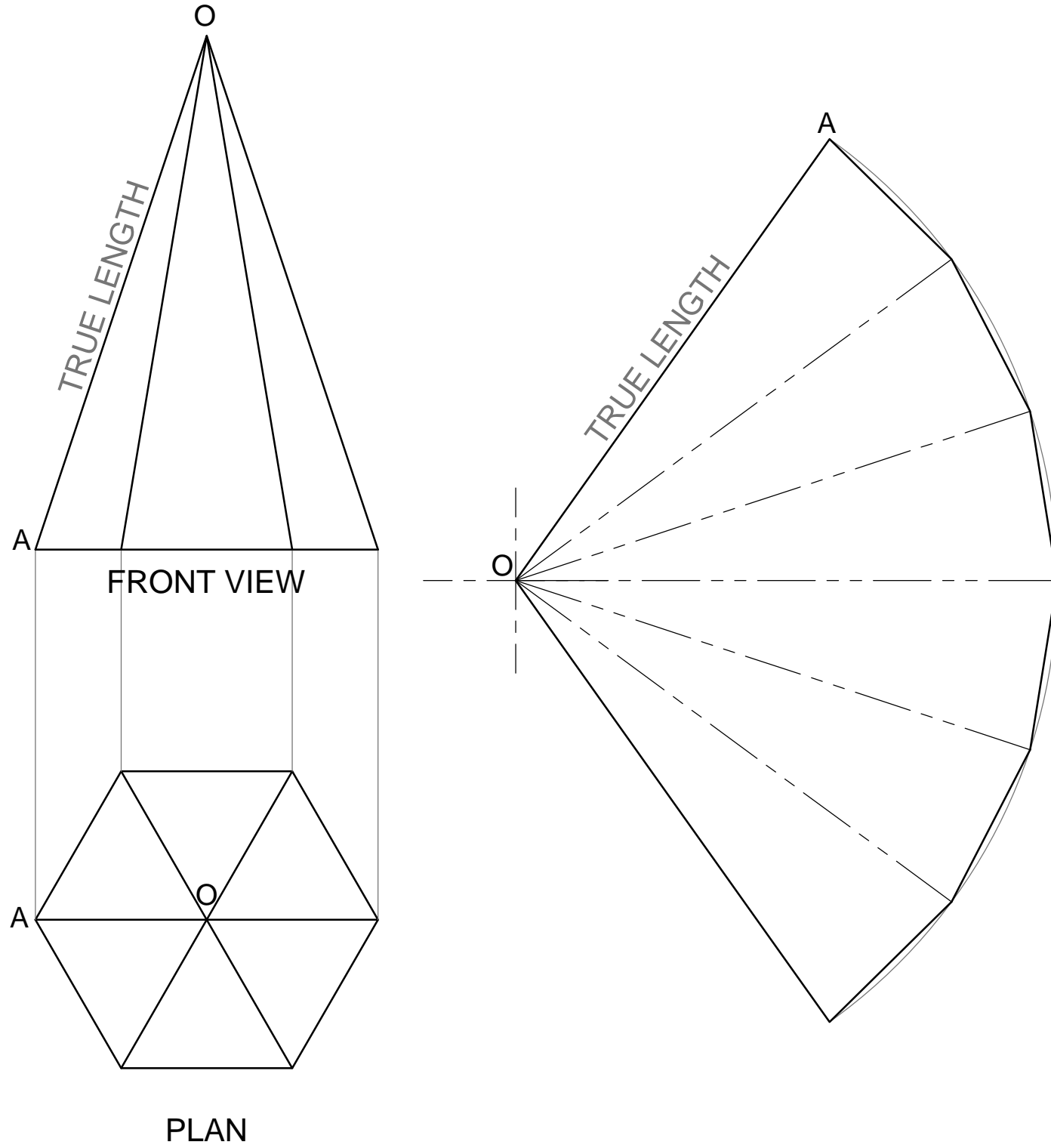


### Hexagonal base pyramid - ANSWER

The front and plan views of a hexagonal base pyramid are given.

a) Construct the development of the given pyramid.

Note: Since OA in the plan is horizontal, OA in the front is a true length  
True length OA is 95 mm long.



Note: Since OA in the plan is not horizontal, we need to find the true length of OA. True length OA is 95 mm long.

