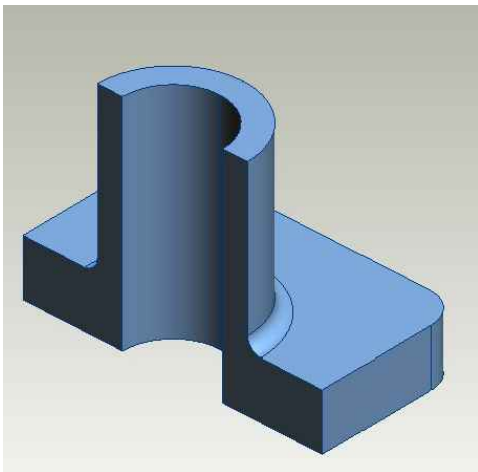
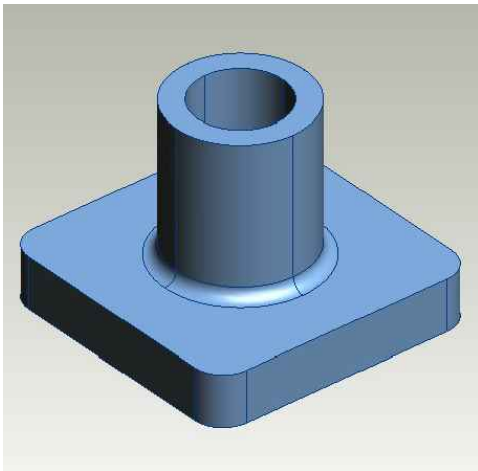
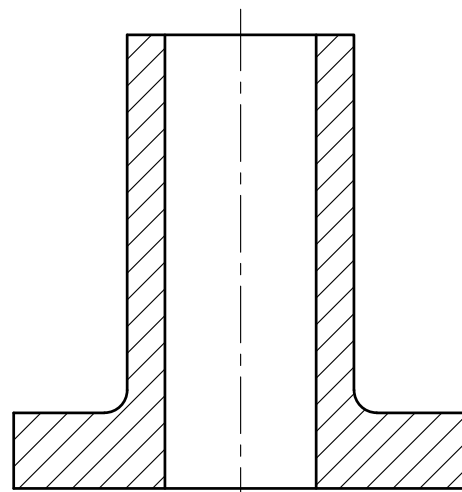


## Sectional Views notes

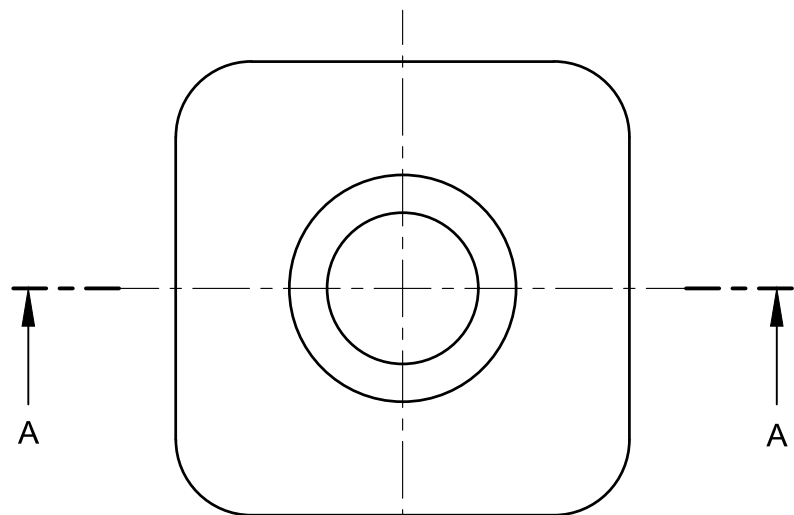
- Sectional views are used in orthographic projection (1<sup>st</sup> / 3<sup>rd</sup> angle) to show hidden/internal parts.
- The part between the cutting plane and the viewer is discarded.
- The hatching lines are drawn at 45° for the same component/material.
- In the case of two or more components/materials we use other angles/mirrored hatching.
- RIBS and WEBS sliced across are not sectioned.
- Hidden lines are not drawn in sectional views.



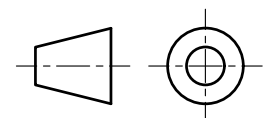
Cross-section view of a pipe bracket



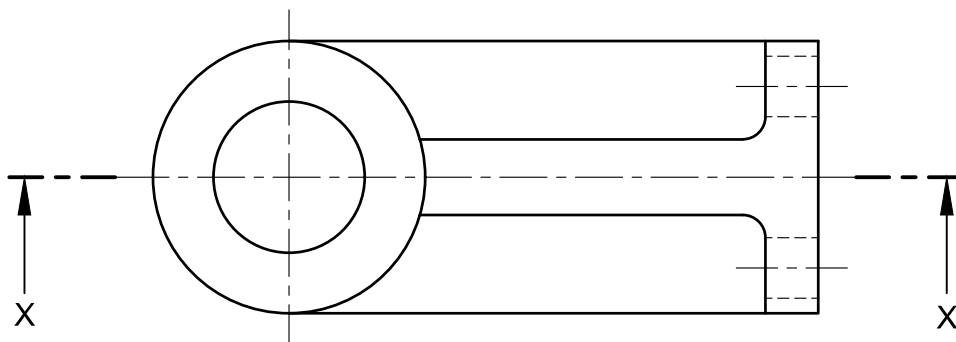
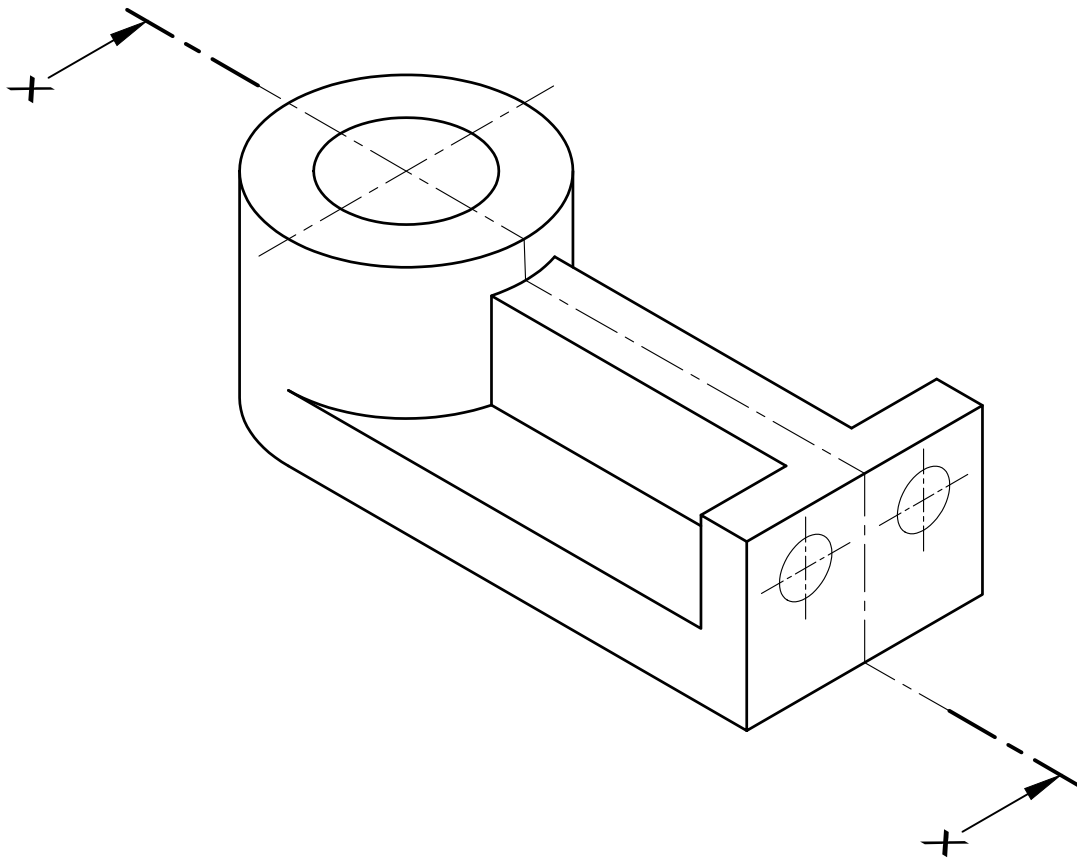
A-A



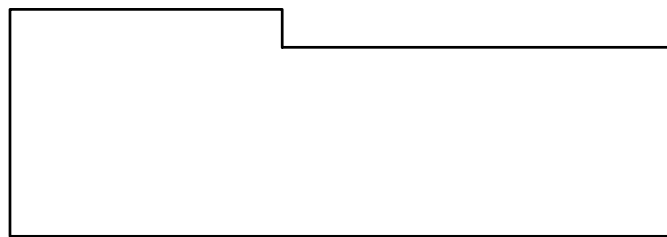
PLAN



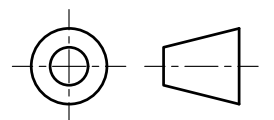
# Sectional views exercise 1 - Starter Sheet



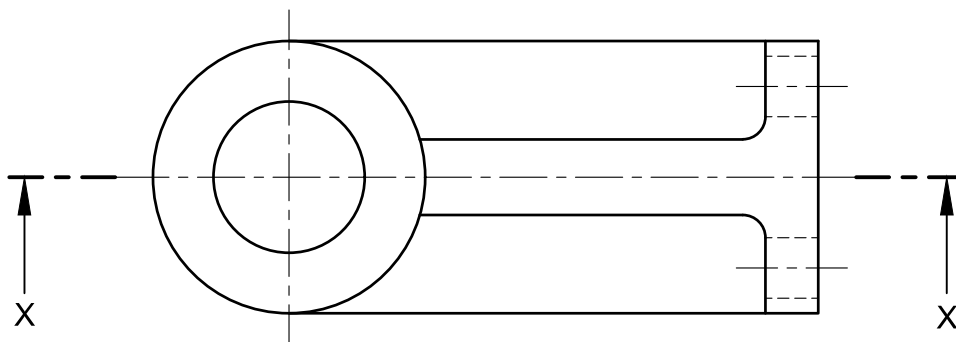
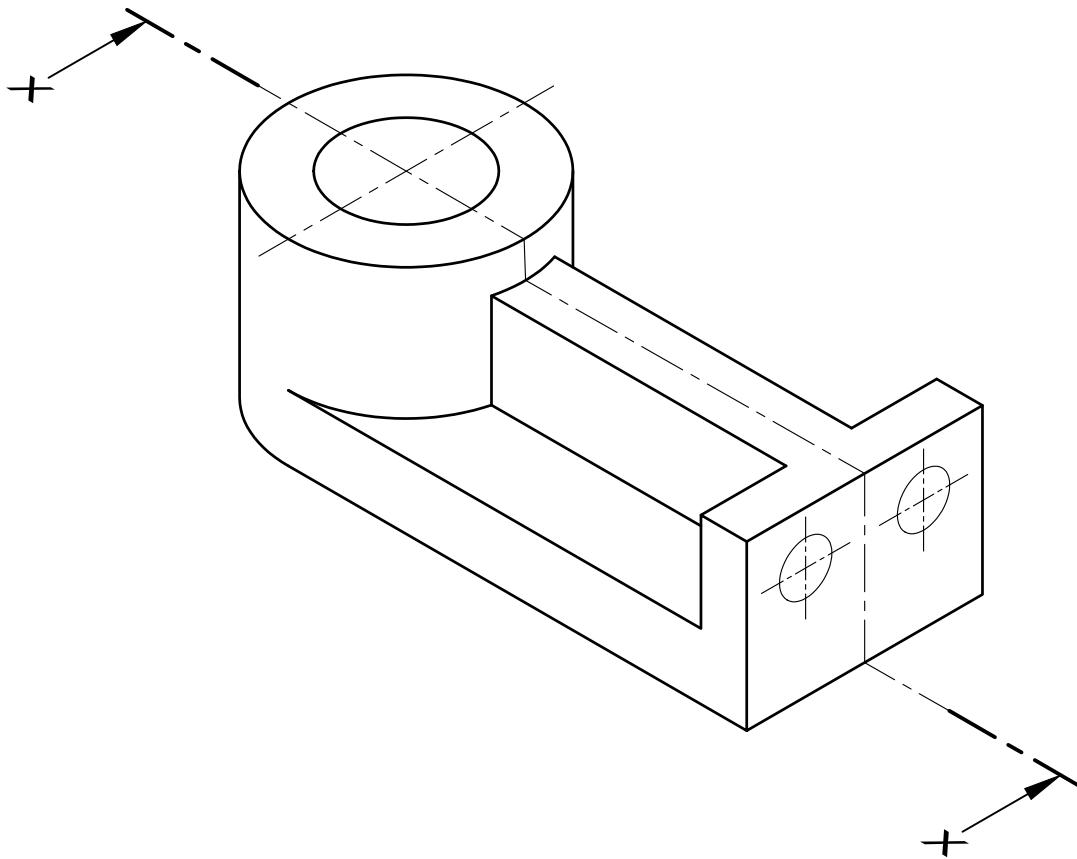
PLAN



X-X



# Sectional views exercise 1 - ANS

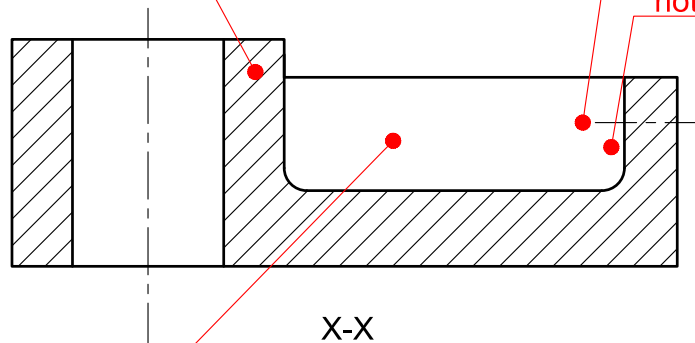


PLAN

note: material cut is hatched at 45°

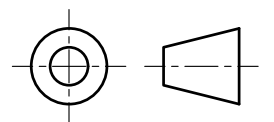
note: centre lines are drawn

note: hidden lines not drawn

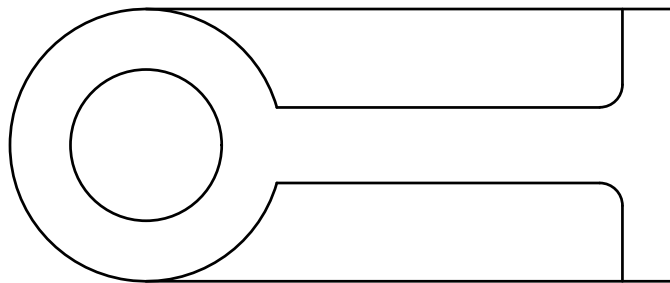
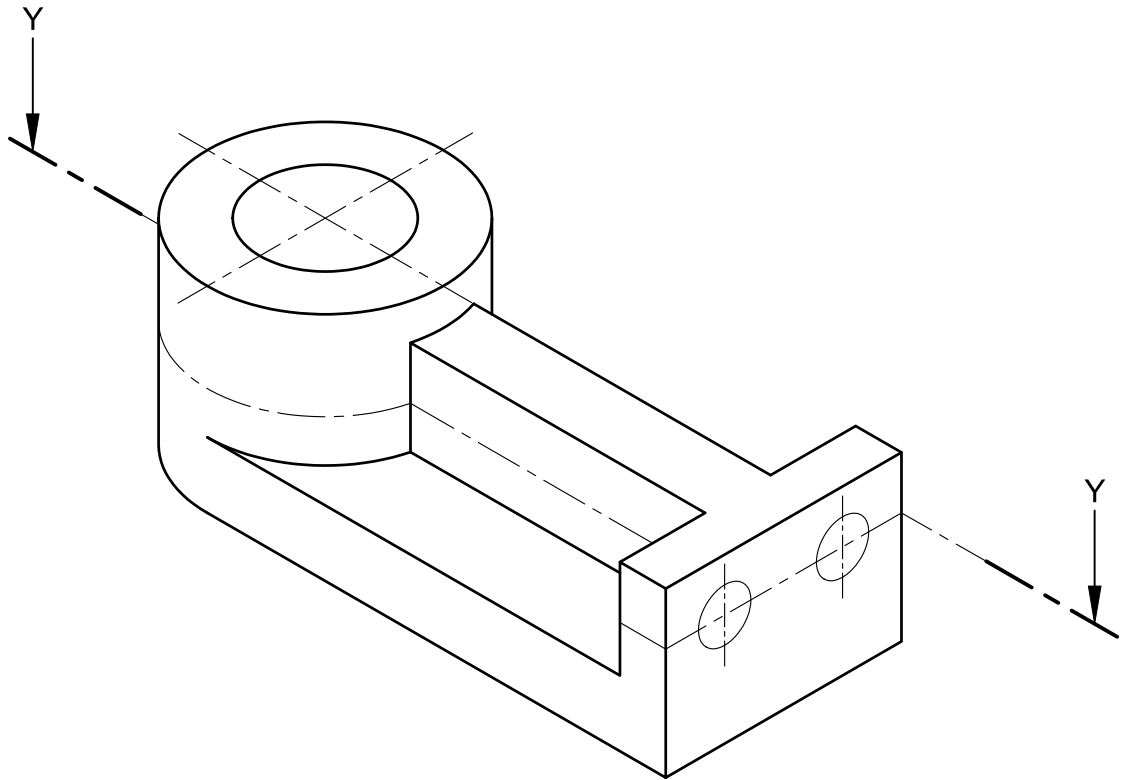


X-X

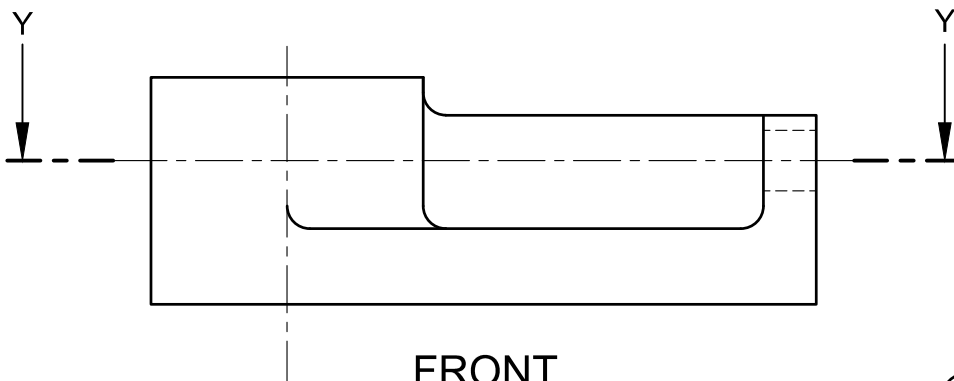
note: ribs cut across are not sectioned



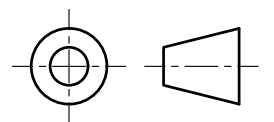
# Sectional views exercise 2 - Starter Sheet



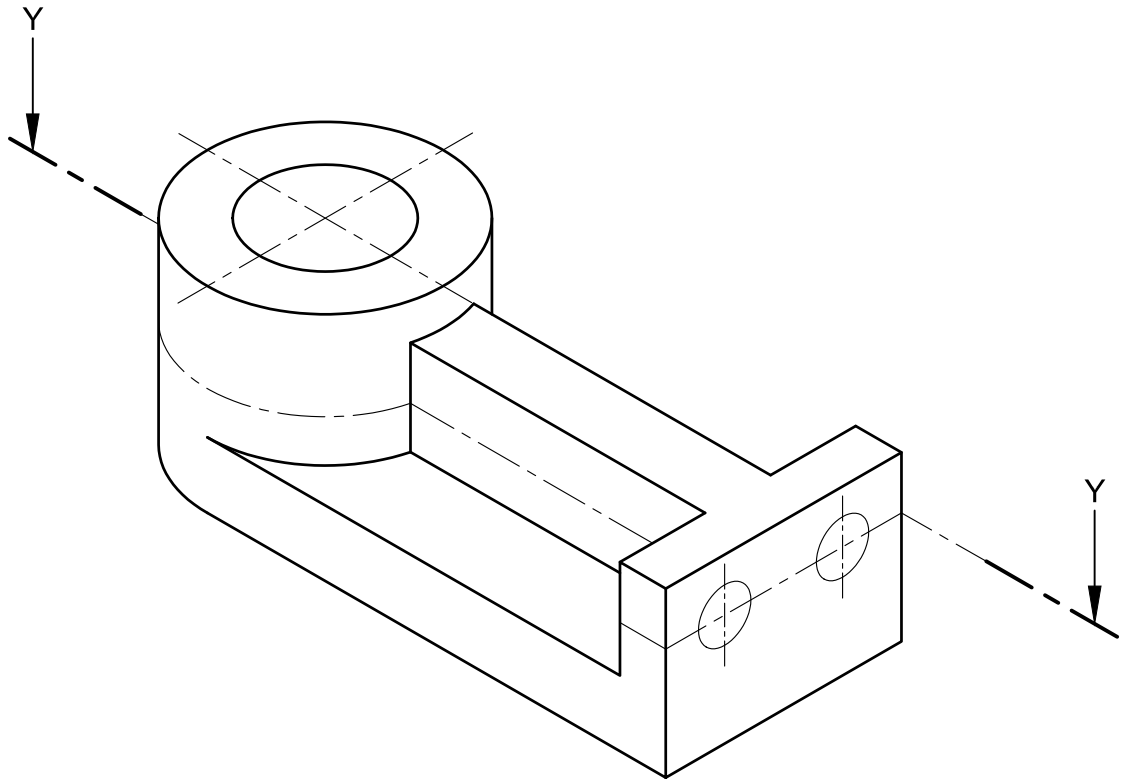
Y-Y



FRONT



## Sectional views exercise 2 - ANS



note: ribs cut along are sectioned

