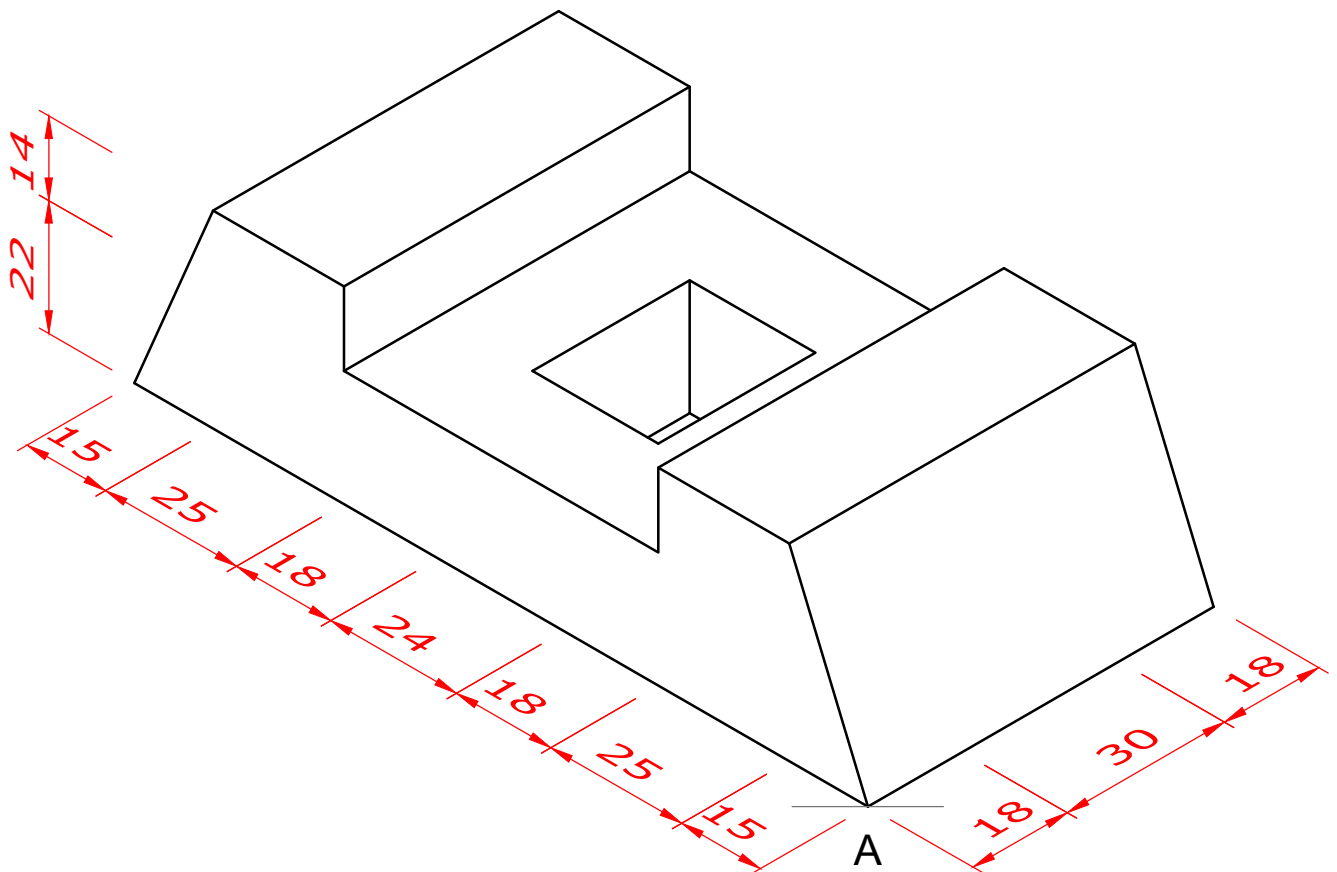


Planometric Projection Exercise 8

Draw the following block in $30^\circ/60^\circ$ or $60^\circ/30^\circ$ planometric projection using instruments.

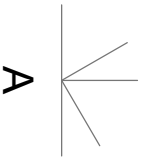


If you have difficulty in drawing this planometric projection, you can use the starter sheet provided to help you. As you improve, try completing the drawing without the use of the starter sheet.

To help you visualize the object better you can visit:

https://youtu.be/o9hIMSL_AqA for a video of the object rotating in space.

Planometric Projection Exercise 8 - STARTER SHEET



Planometric Projection Exercise 8 - ANSWER SHEET

