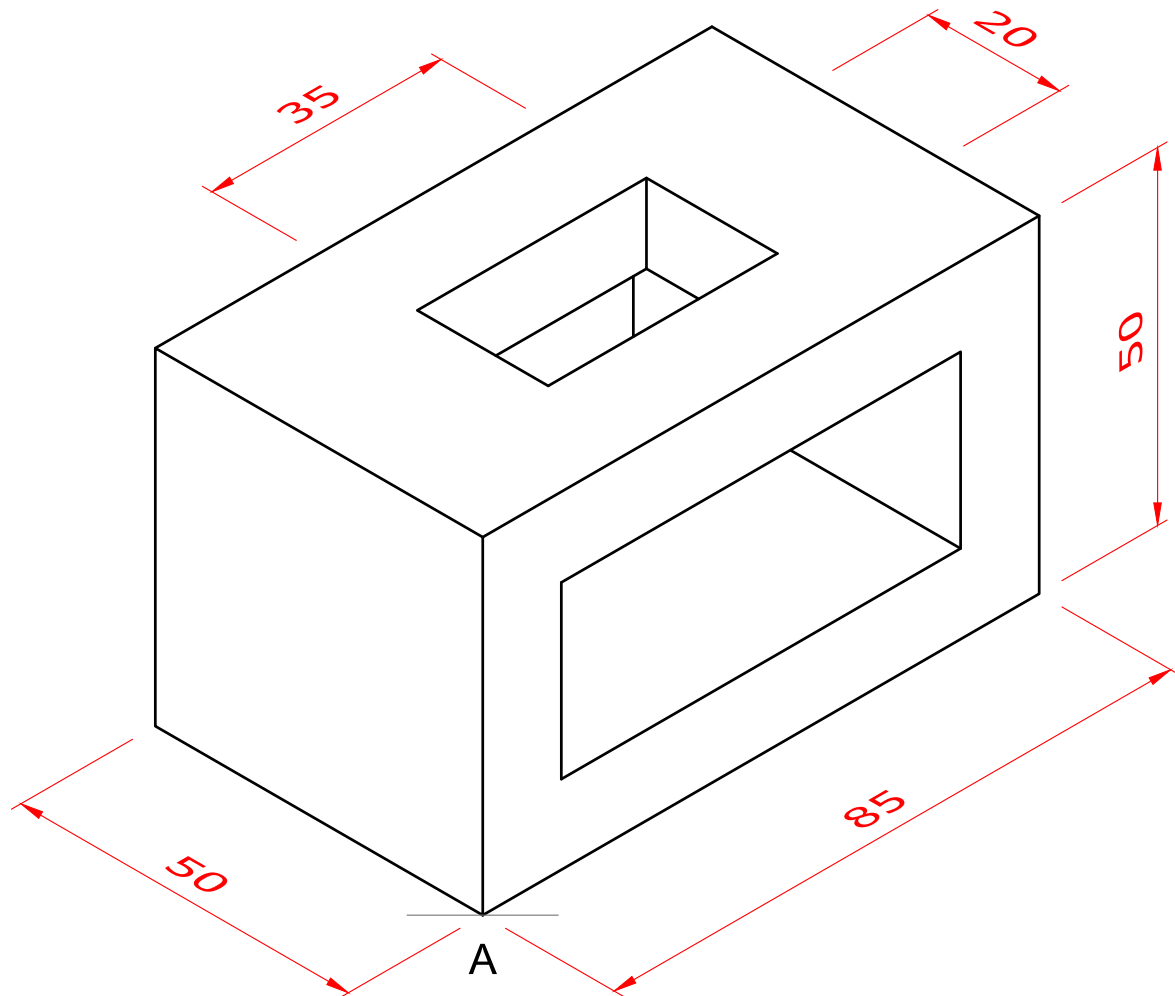


Two-point Perspective Exercise 4

Draw an estimated two-point perspective of the following block using the measuring-point method by Mr M. Mallia.



Material thickness is 12mm throughout.

If you have difficulty in drawing this perspective view, you can use the starter sheet provided to help you. As you improve, try completing the drawing without the use of the starter sheet.

To help you visualize the object better you can visit:

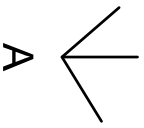
<https://youtu.be/GdgtAFrzRM4> for a video of the object rotating in space.

Two-point Perspective Exercise 4 - STARTER SHEET

VP1



VP2



Two-point Perspective Exercise 4 - ANSWER SHEET

