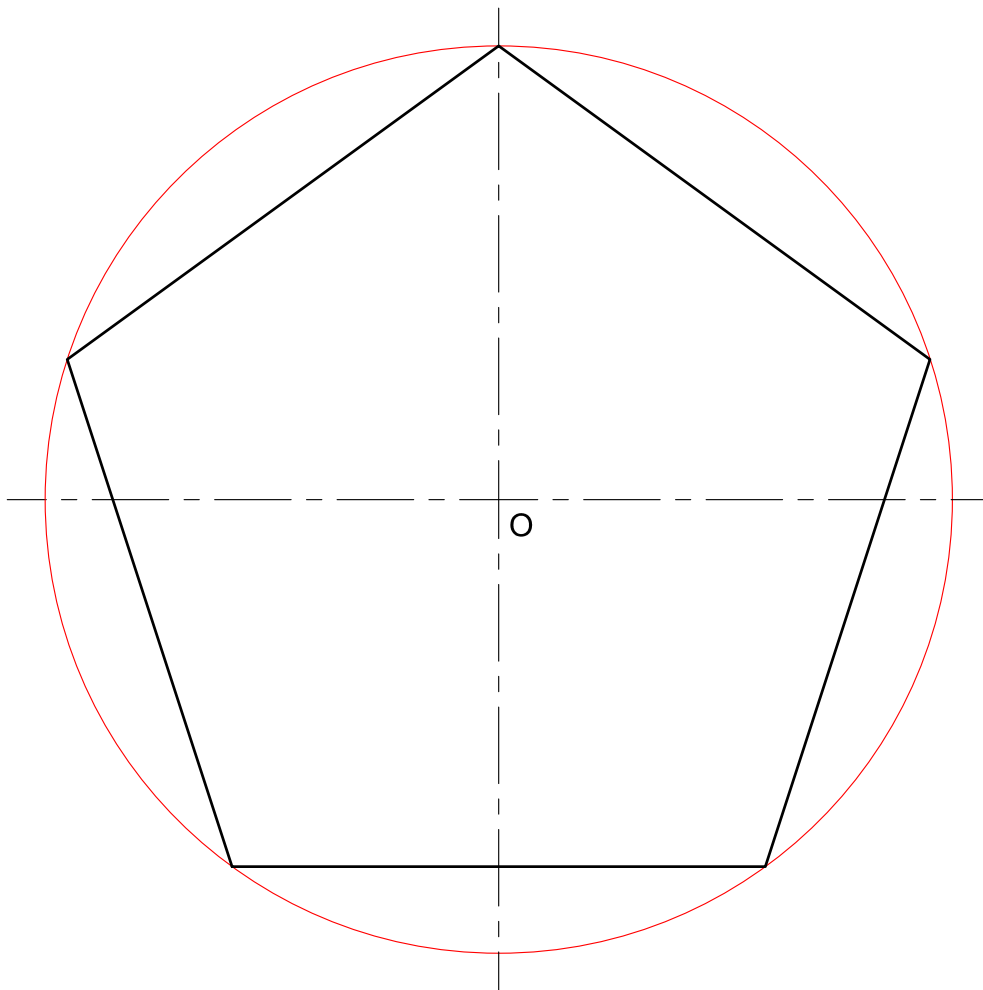


Pentagon in a circle.

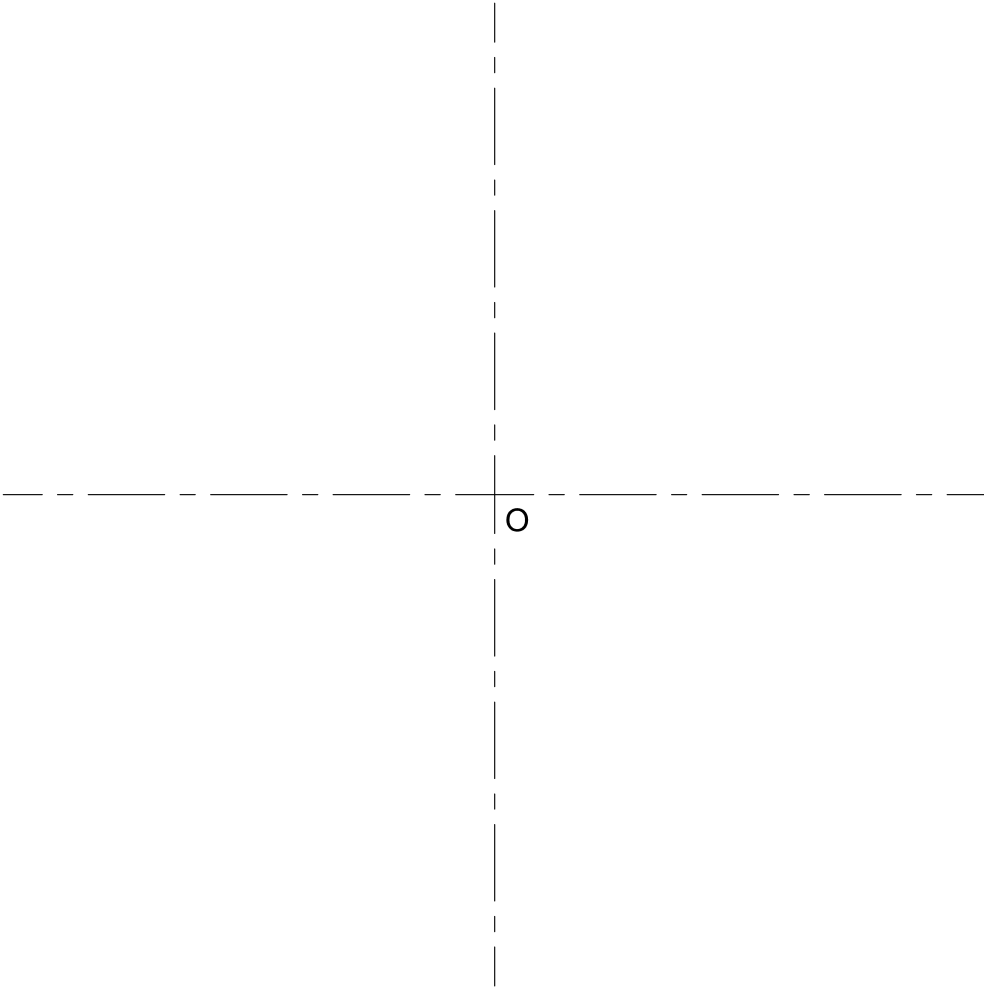
The following is the accurate geometrical construction method to draw a pentagon in any given circle.



You can visit: https://youtu.be/N3ZQ_0T3fog for a step by step video of the construction method.

Pentagon in a circle - STARTER SHEET

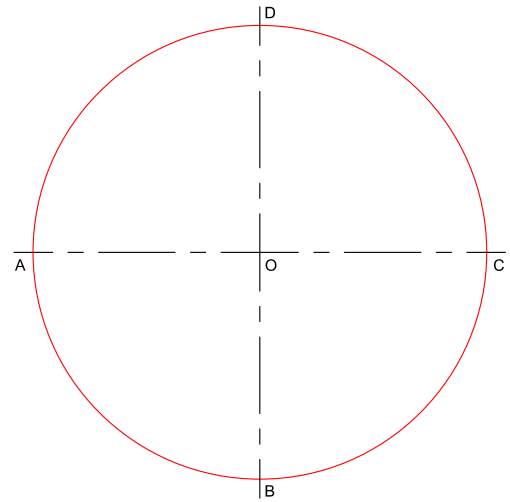
Draw a regular pentagon inside a circle R 60 MM.



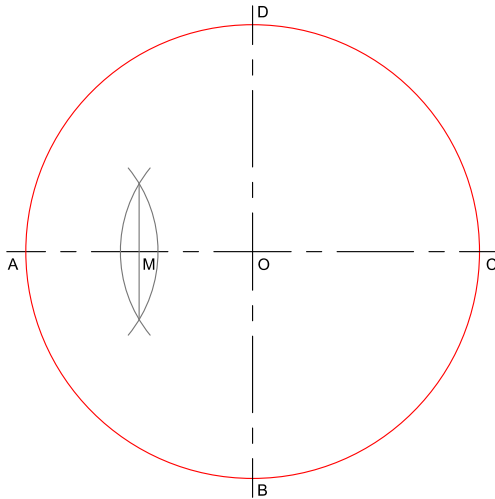
Pentagon particular method

- 1) Draw circle center O on center lines AC and DB.
- 2) Bisect OA to find mid-point M.
- 3) Draw arc MD to find point E.
- 4) Using length DE for the sides, draw arcs on the circumference starting from the top vertex.
- 5) Draw the 5 sides of the pentagon inside circle center O.

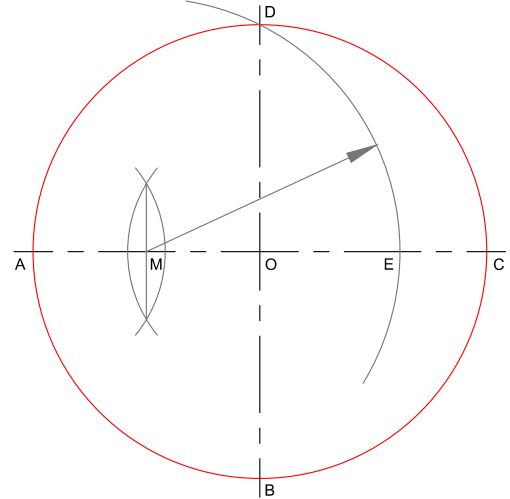
Step 1



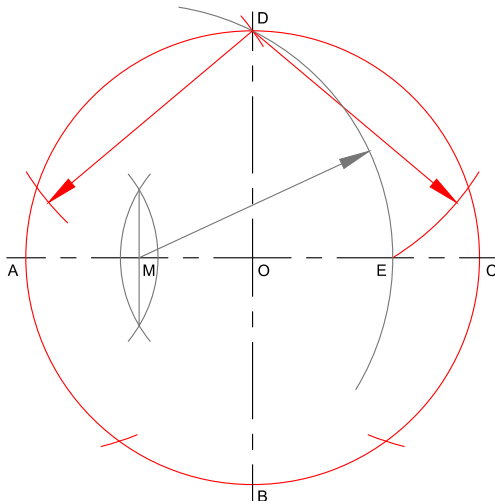
Step 2



Step 3



Step 4



Step 5

