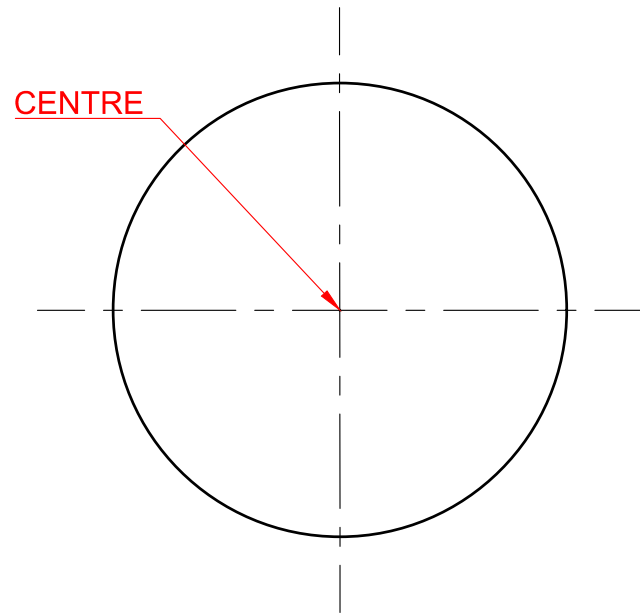
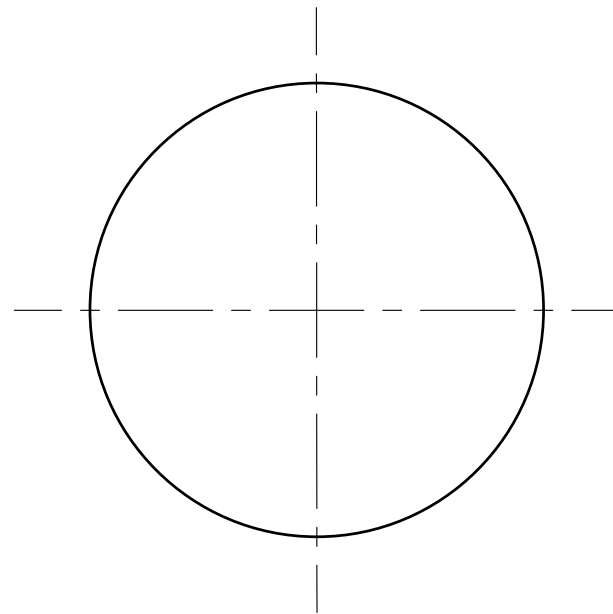


**The parts of the circle and mouse maze - STARTER SHEET**

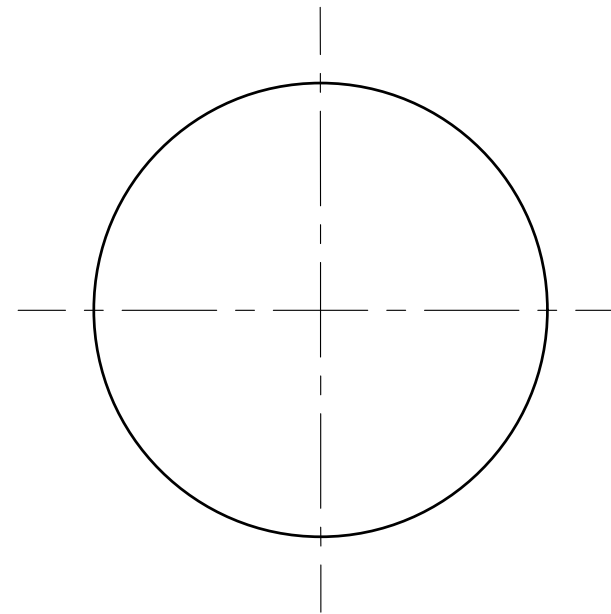
Draw the following parts of the circle.



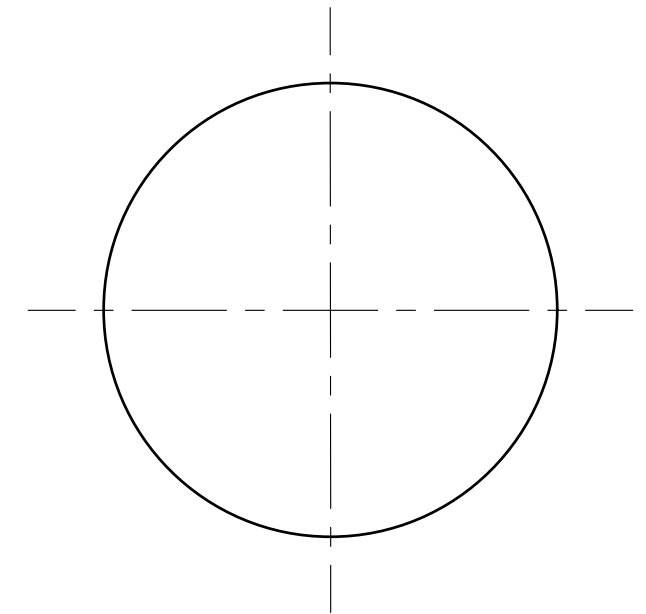
DIAMETER AND RADIUS.



SECTOR AND SEGMENT.

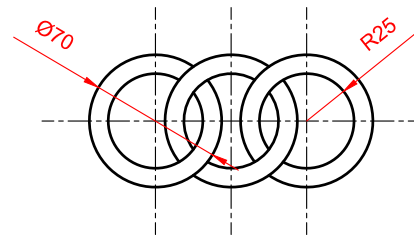


QUADRANT AND SEMICIRCLE.

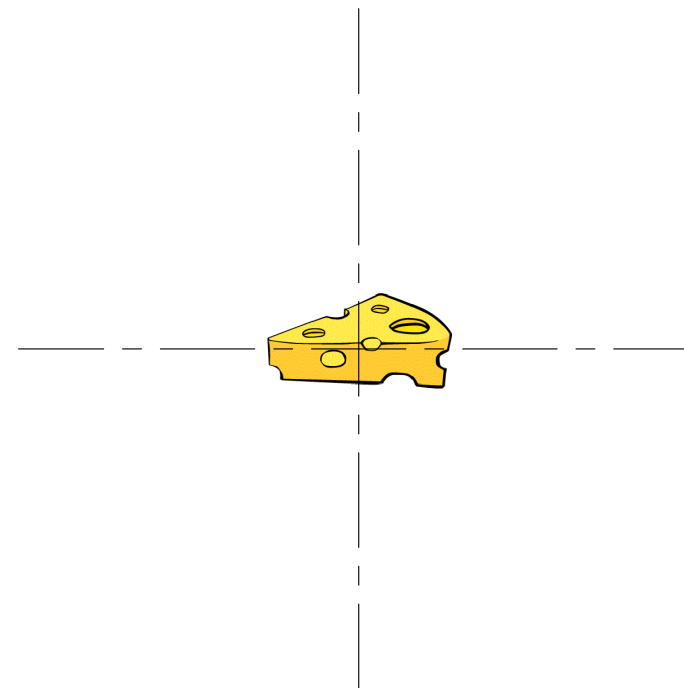
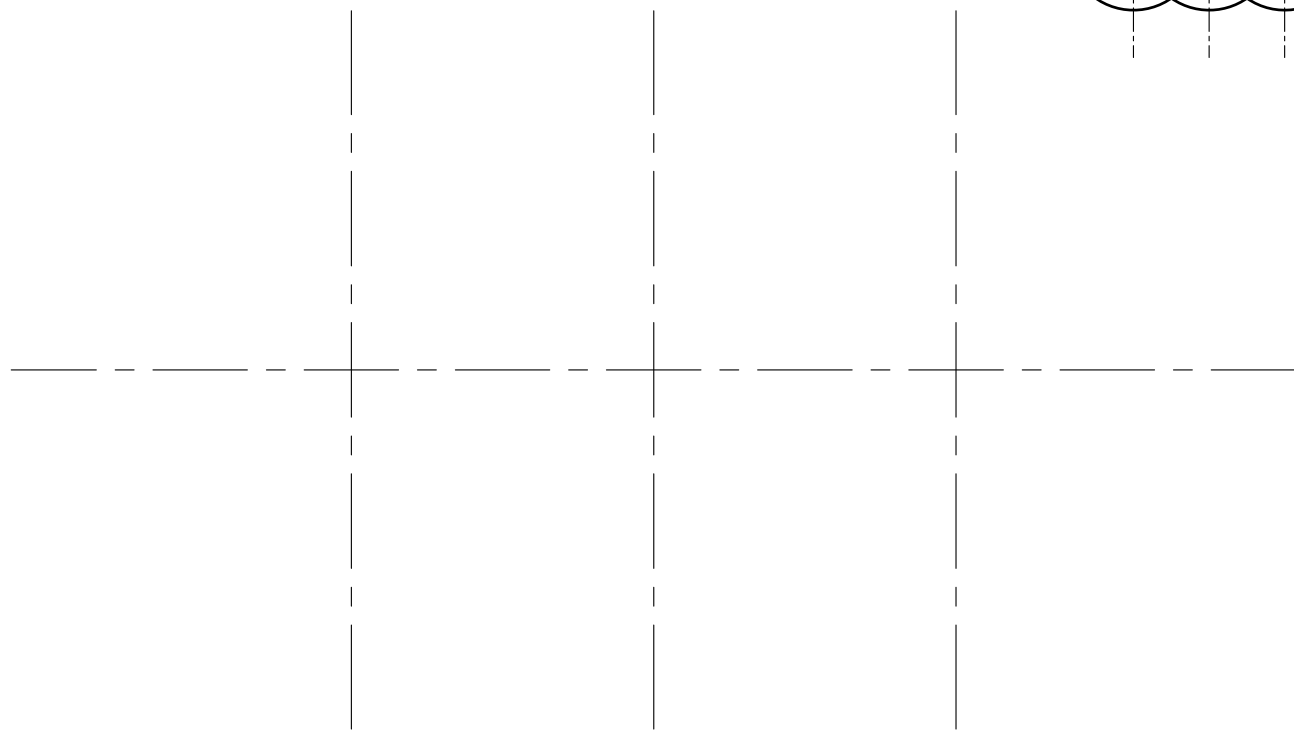
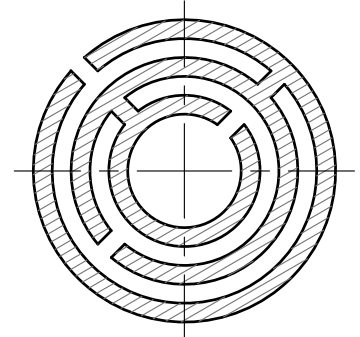


TANGENT, NORMAL AND CHORD.

Draw the design on the right according to the dimensions given.

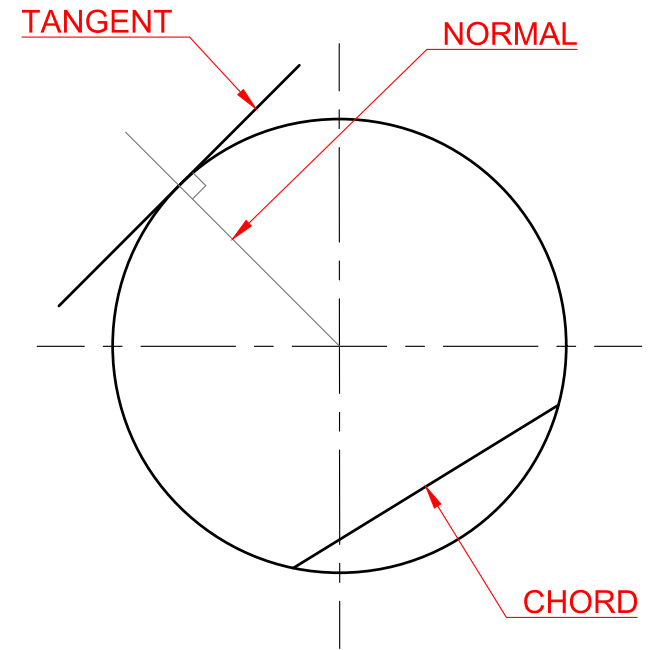
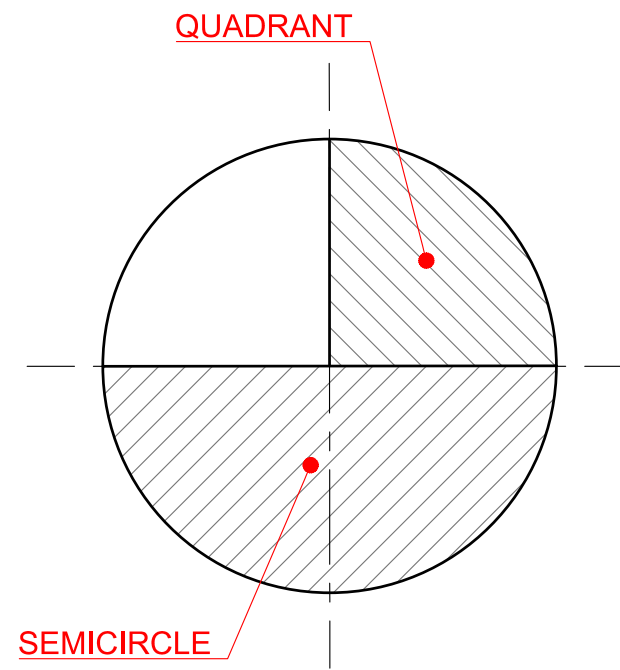
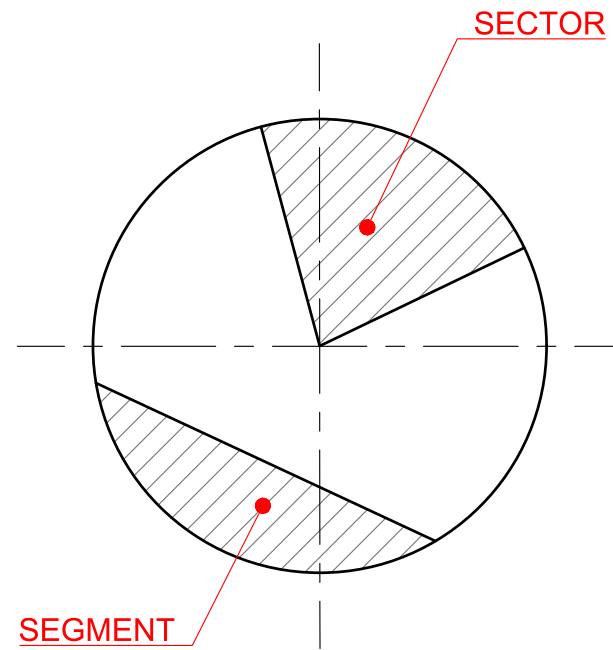
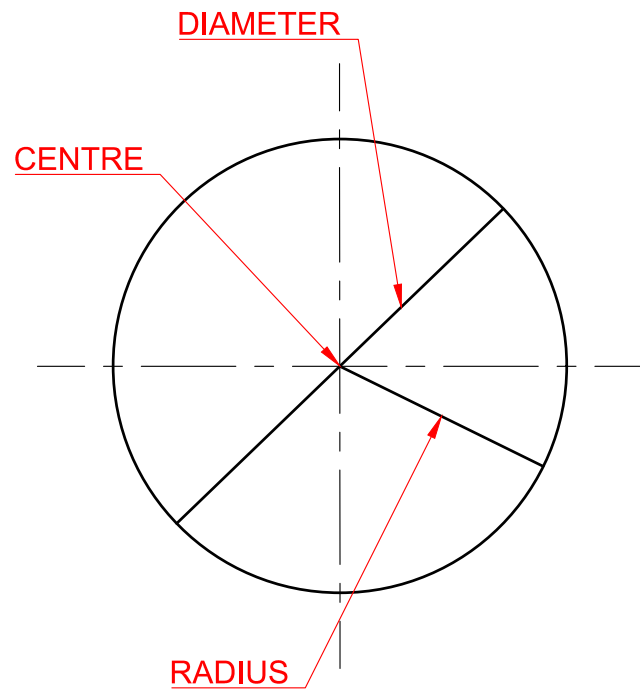


Draw the maze on the right with circles R15 MM, R20 MM, R 25MM, R 30Mm, R35MM and R40 MM.

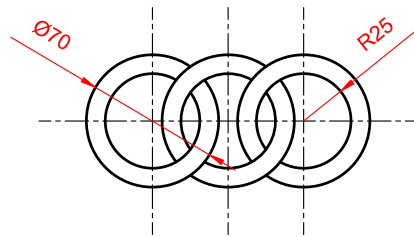


# The parts of the circle and mouse maze - ANSWER SHEET

Draw the following parts of the circle.



Draw the design on the right according to the dimensions given.



Draw the maze on the right with circles R15 MM, R20 MM, R 25MM, R 30Mm, R35MM and R40 MM.

