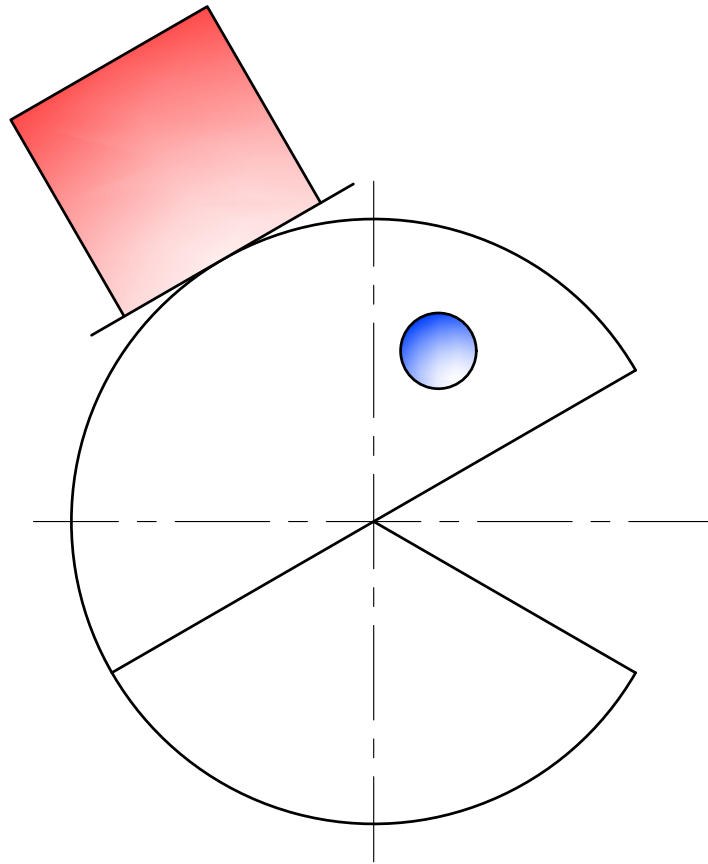


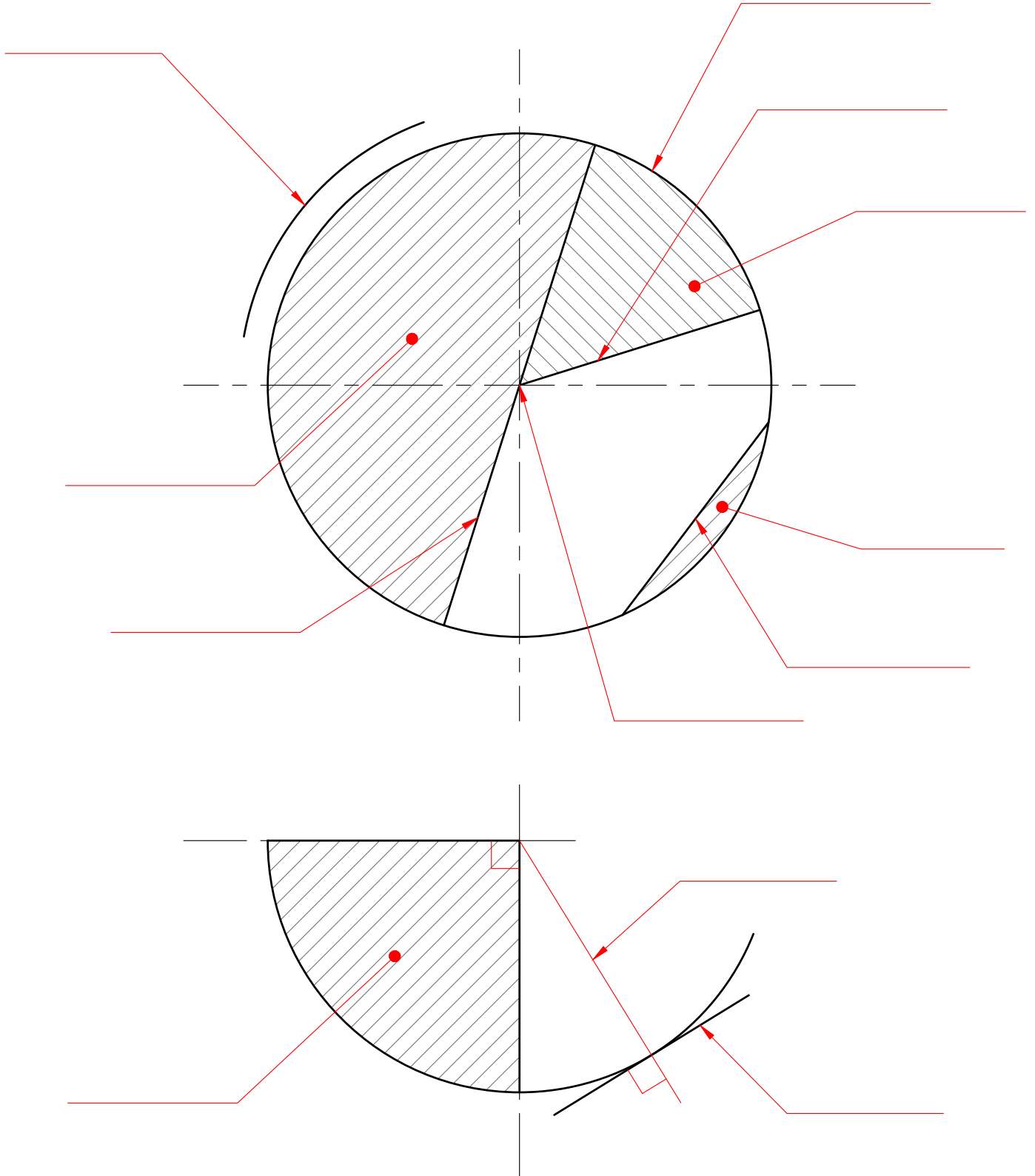
Parts of a circle - Notes.



You can visit: <https://youtu.be/Fuk9g1QIDD4> to listen to an explanation about the different parts and their properties.

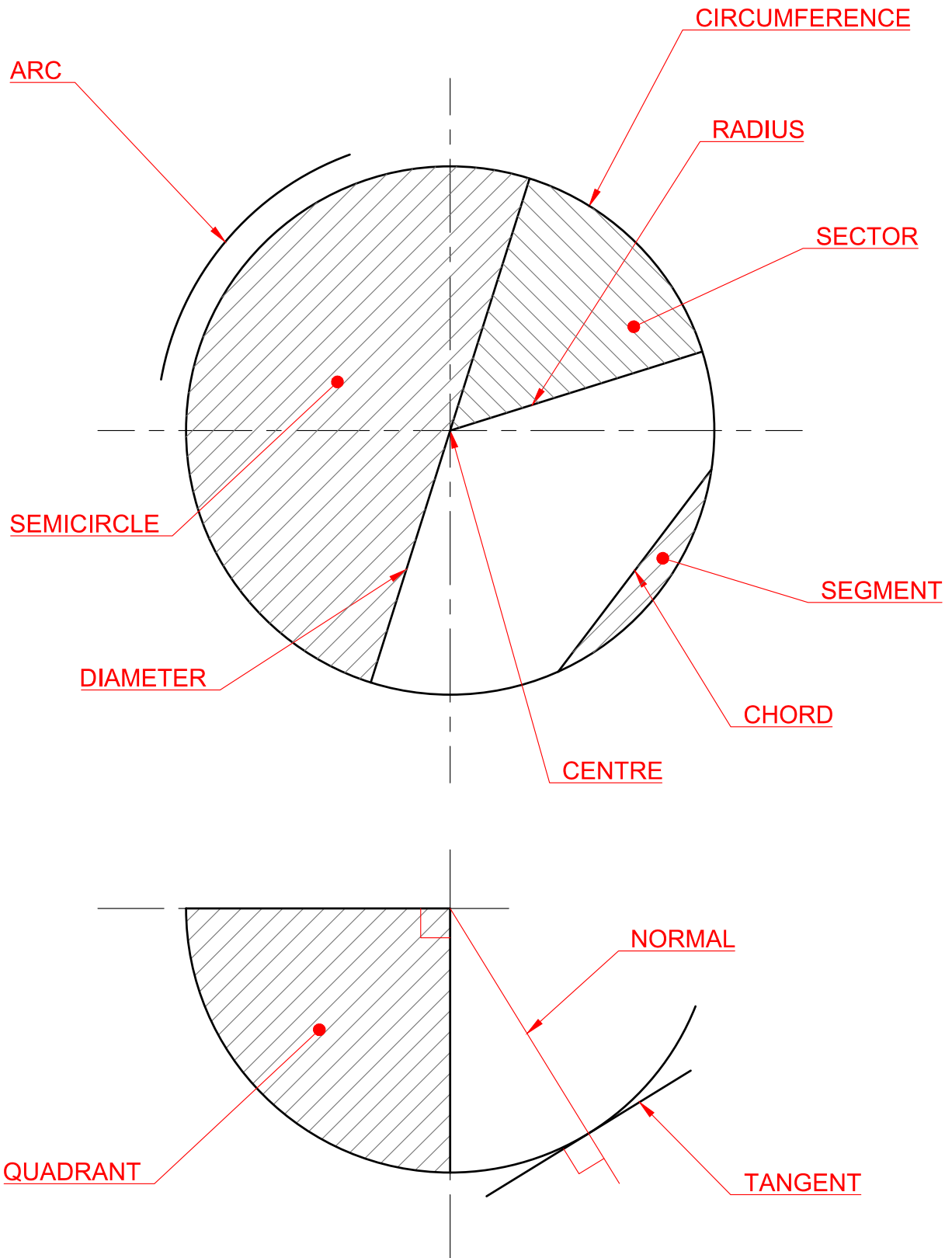
Label the parts of a circle - STARTER SHEET.

Label the following parts.



Label the parts of a circle - ANSWER SHEET.

Label the following parts.



Mr Pacman - STARTER SHEET.

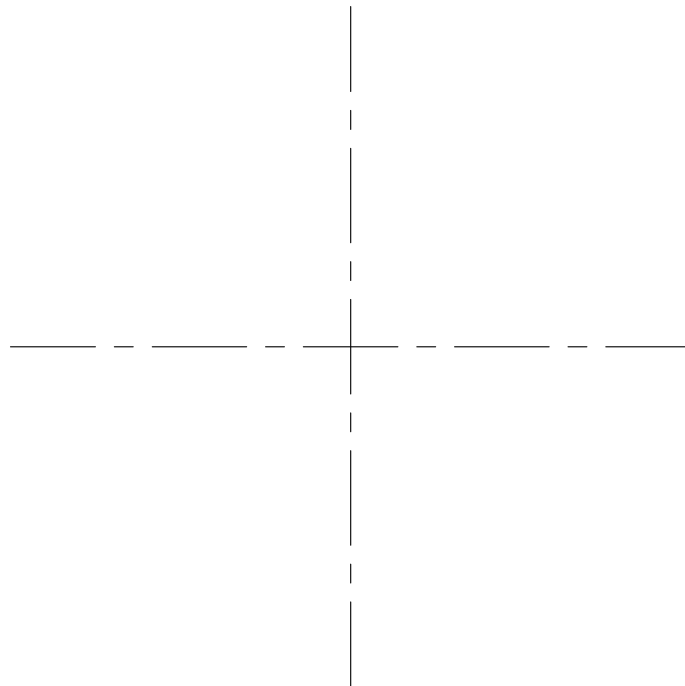
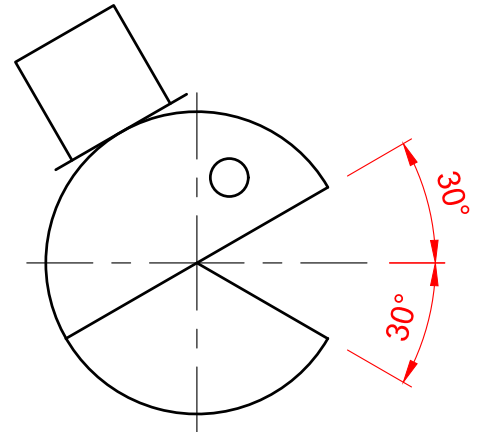
Draw Mr Pacman according to the details below:

semicircle R 40 MM

quadrant R 40 MM

tangent 30 MM

square hat 20 X 20 MM



Mr Pacman - STARTER SHEET.

Draw Mr Pacman according to the details below:

- semicircle R 40 MM
- sector R 40 MM
- tangent 40 MM
- square hat 30 MM

