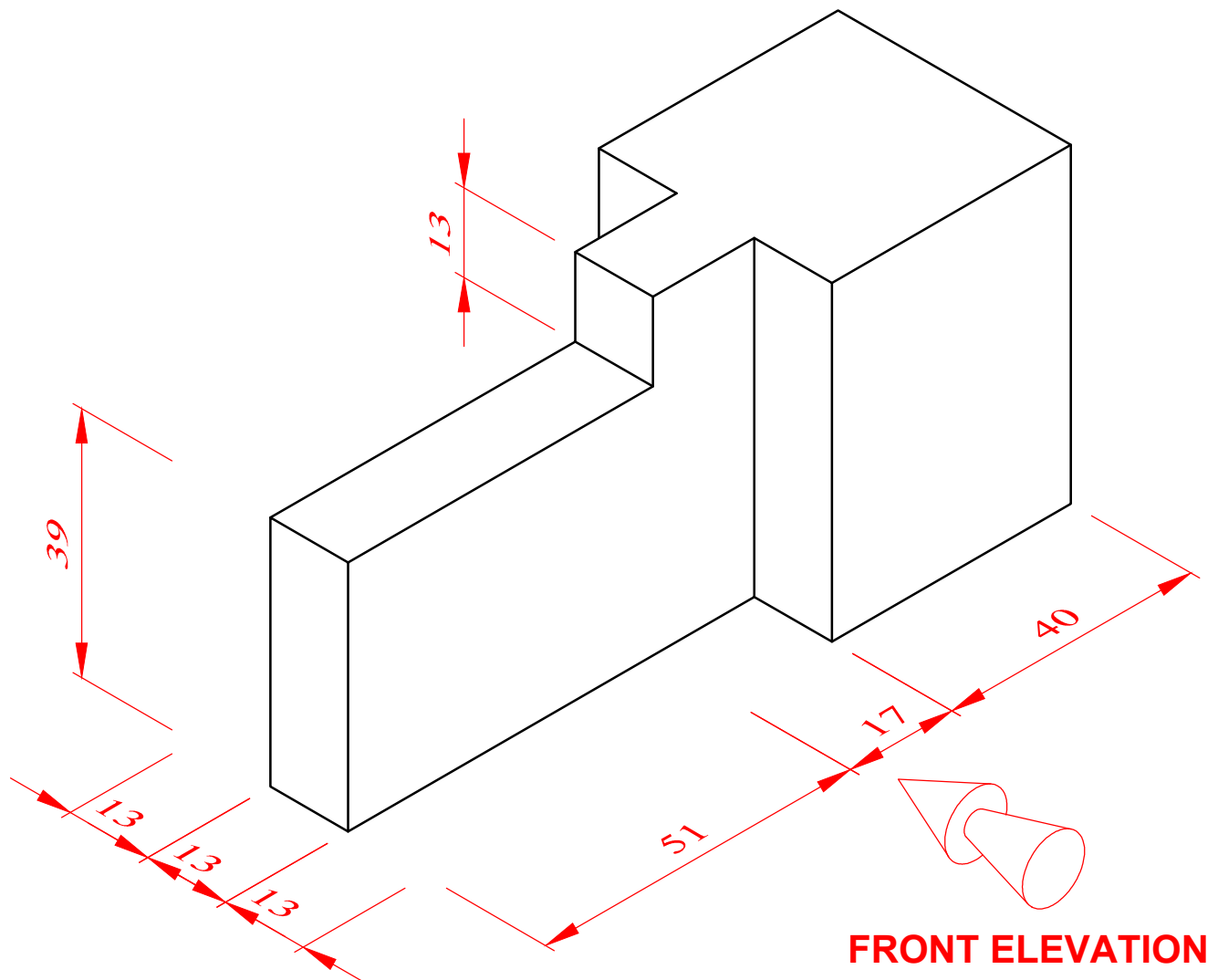


Third Angle Projection Exercise 8

In third angle orthographic projection, draw the:

- Front view** from the direction of the arrow shown,
- End view** and
- Plan**
- Third Angle** symbol

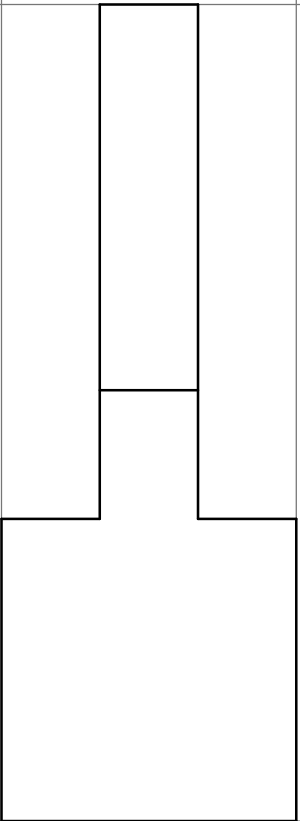


If you have difficulty placing the views and spacing them neatly, you can use the starter sheet provided to help you. As you improve, try completing the drawing without the use of the starter sheet.

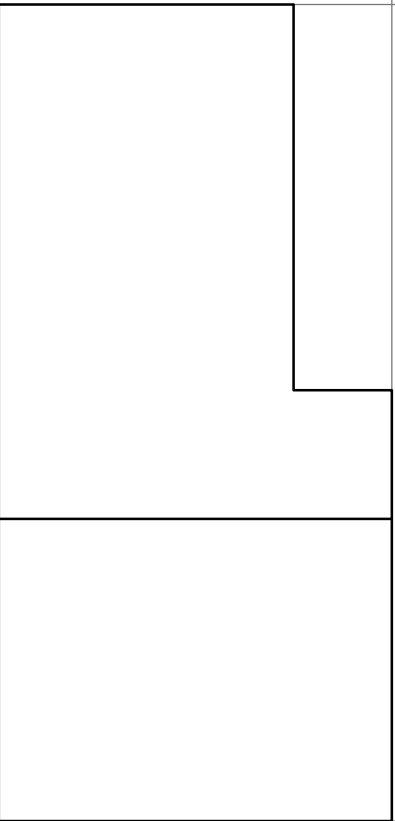
To help you visualize the object better you can visit:

<https://youtu.be/1p7VuPLaKKE> for a video of the object rotating in space.

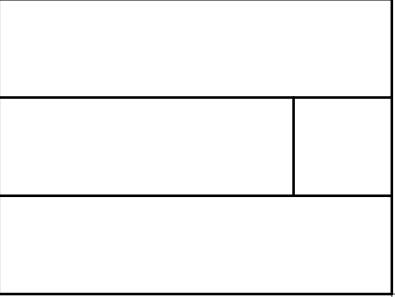
Third Angle Projection Exercise 8 - ANSWER



PLAN



FRONT VIEW



END VIEW

