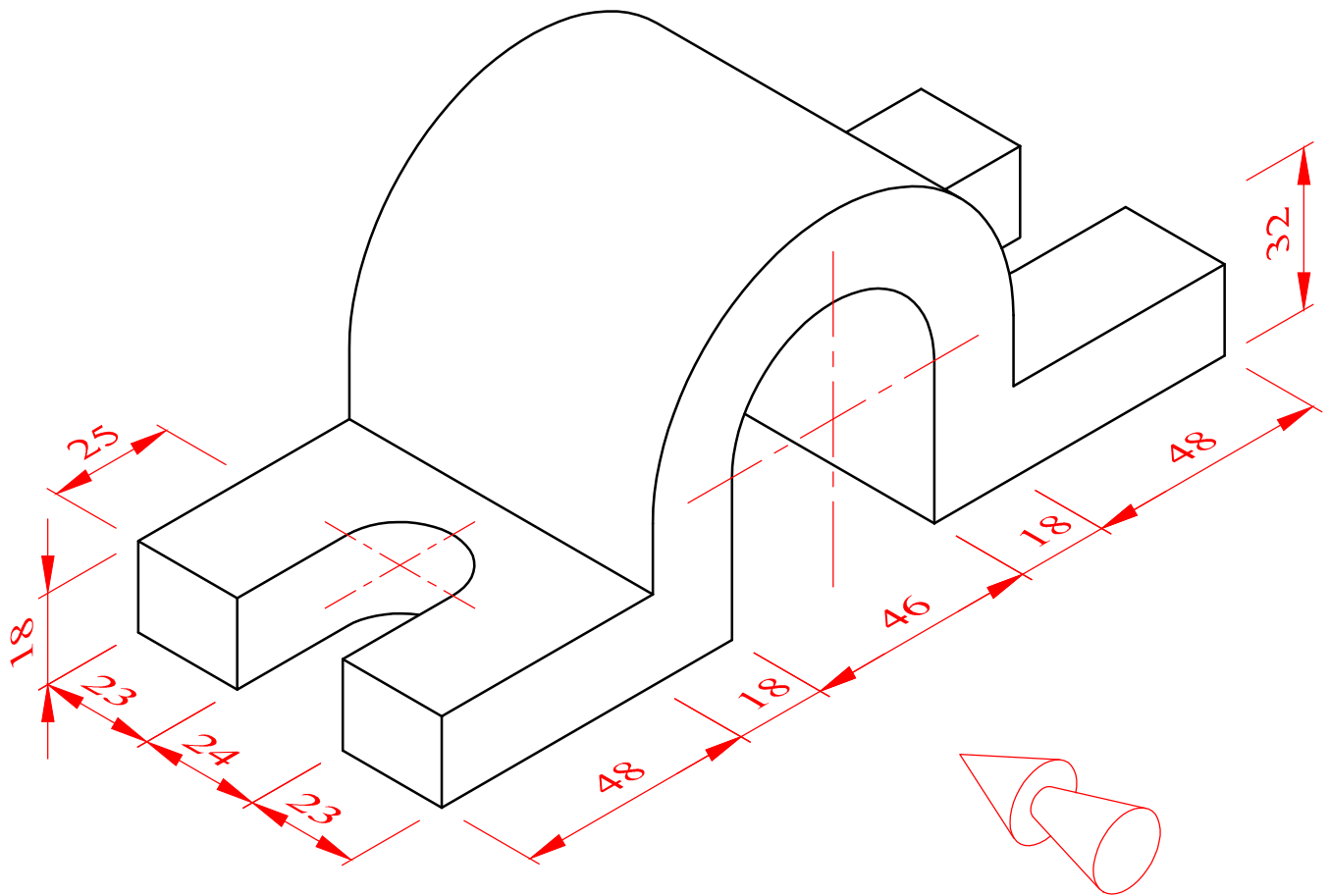


Third Angle Projection Exercise 17

In third angle orthographic projection, draw the:

- Front view** from the direction of the arrow shown,
- End view** and
- Plan**
- Third Angle** symbol



FRONT ELEVATION

If you have difficulty placing the views and spacing them neatly, you can use the starter sheet provided to help you. As you improve, try completing the drawing without the use of the starter sheet.

To help you visualize the object better you can visit:

https://youtu.be/Q_8a4kiCKuA for a video of the object rotating in space.

Third Angle Projection Exercise 17 - STARTER SHEET

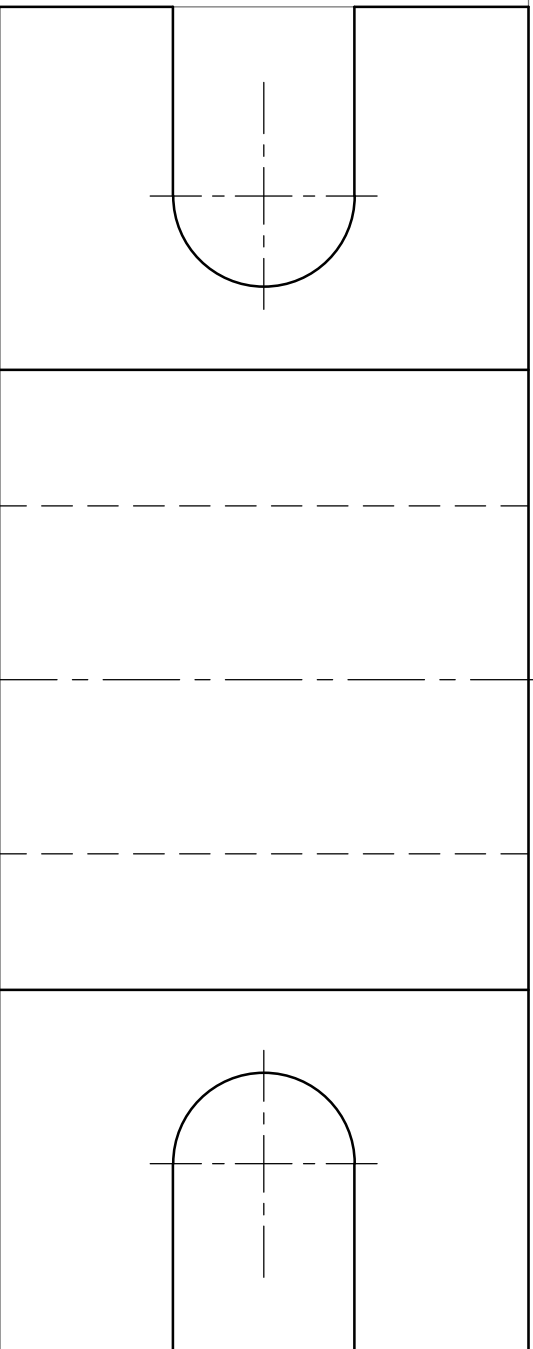
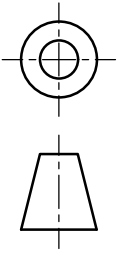


PLAN

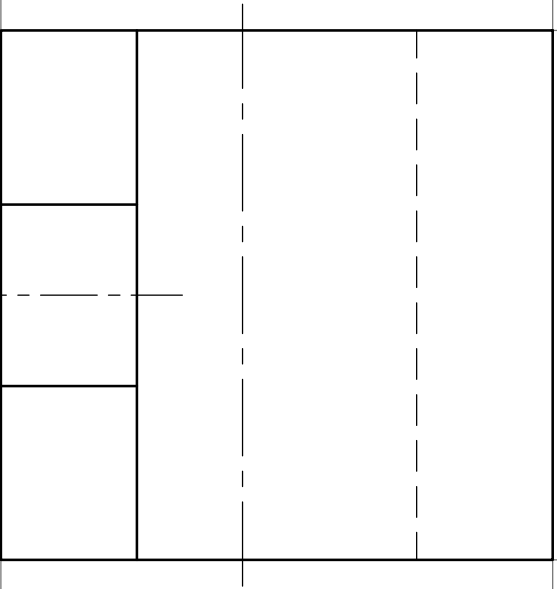
END VIEW

FRONT VIEW

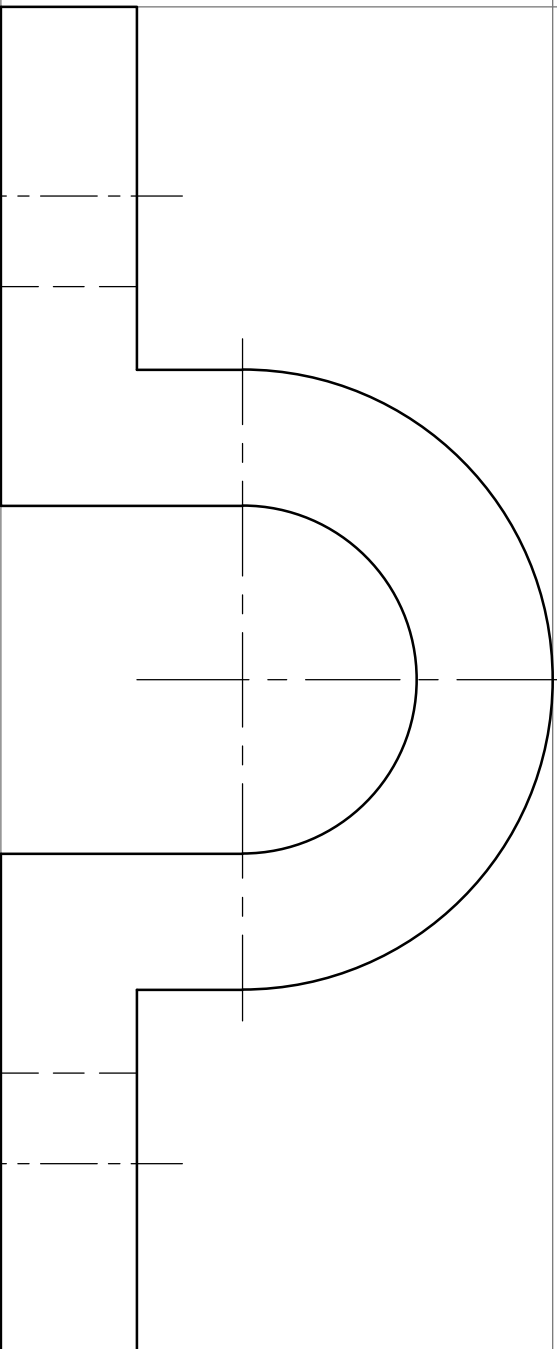
Third Angle Projection Exercise 17 - ANSWER



PLAN



END VIEW



FRONT VIEW