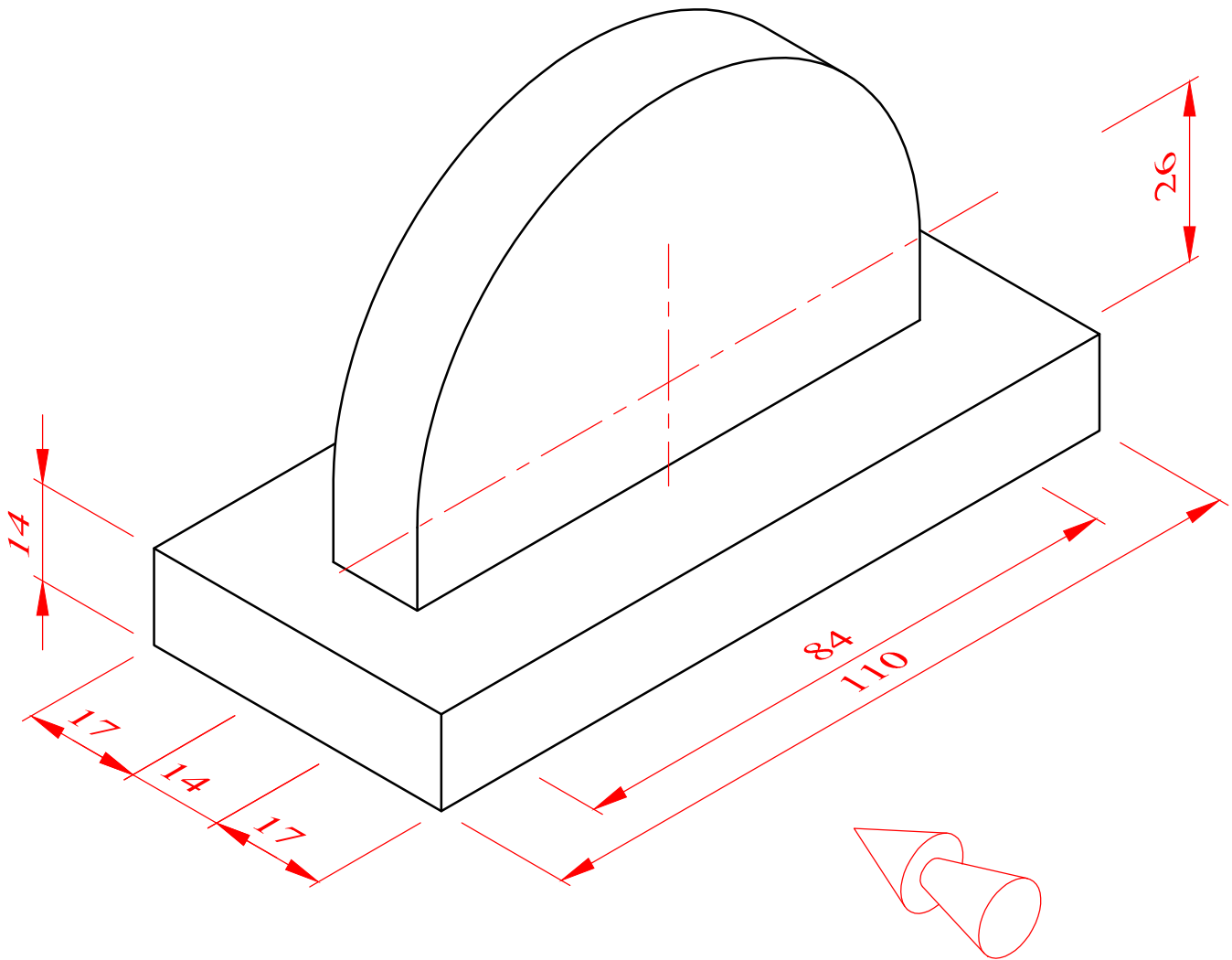


## Third Angle Projection Exercise 14

In third angle orthographic projection, draw the:

- a) **Front view** from the direction of the arrow shown,
- b) **End view** and
- c) **Plan**
- d) **Third Angle** symbol



**FRONT ELEVATION**

If you have difficulty placing the views and spacing them neatly, you can use the starter sheet provided to help you. As you improve, try completing the drawing without the use of the starter sheet.

To help you visualize the object better you can visit:

<https://youtu.be/NckTj-LZY1M> for a video of the object rotating in space.

# Third Angle Projection Exercise 14 - STARTER SHEET

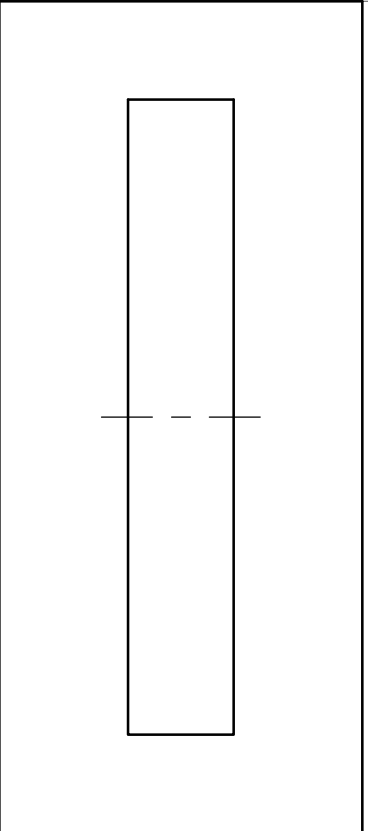
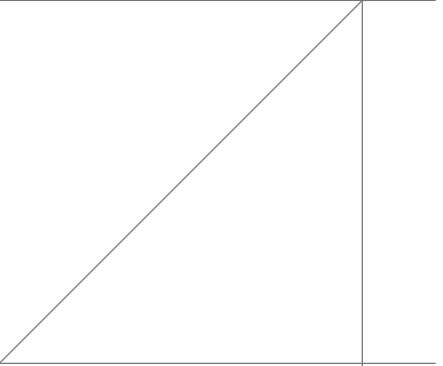
PLAN

END VIEW

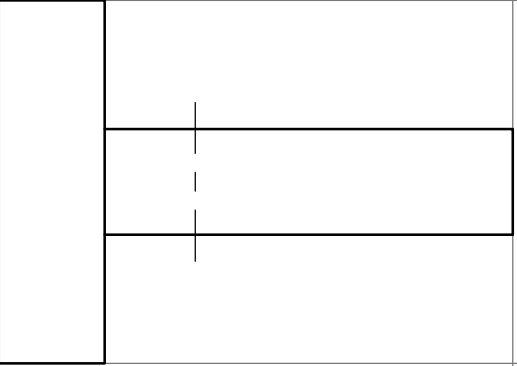
FRONT VIEW

-----

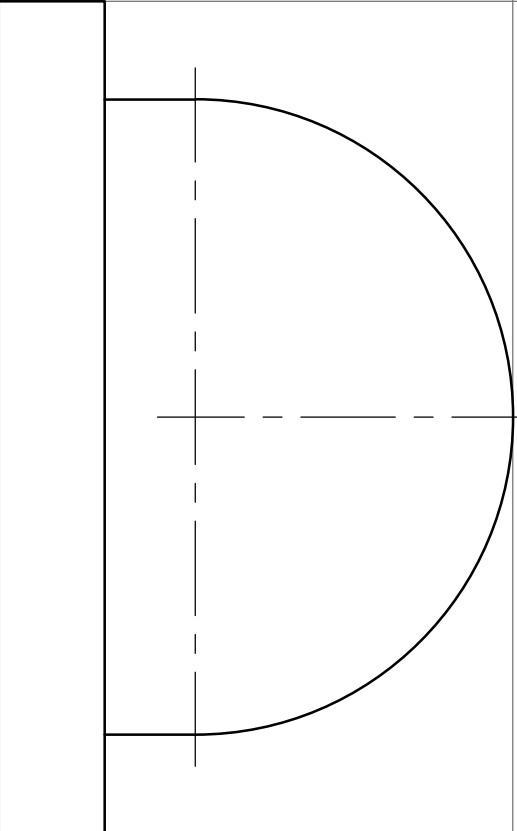
**Third Angle Projection Exercise 14 - ANSWER**



**PLAN**



**END VIEW**



**FRONT VIEW**

