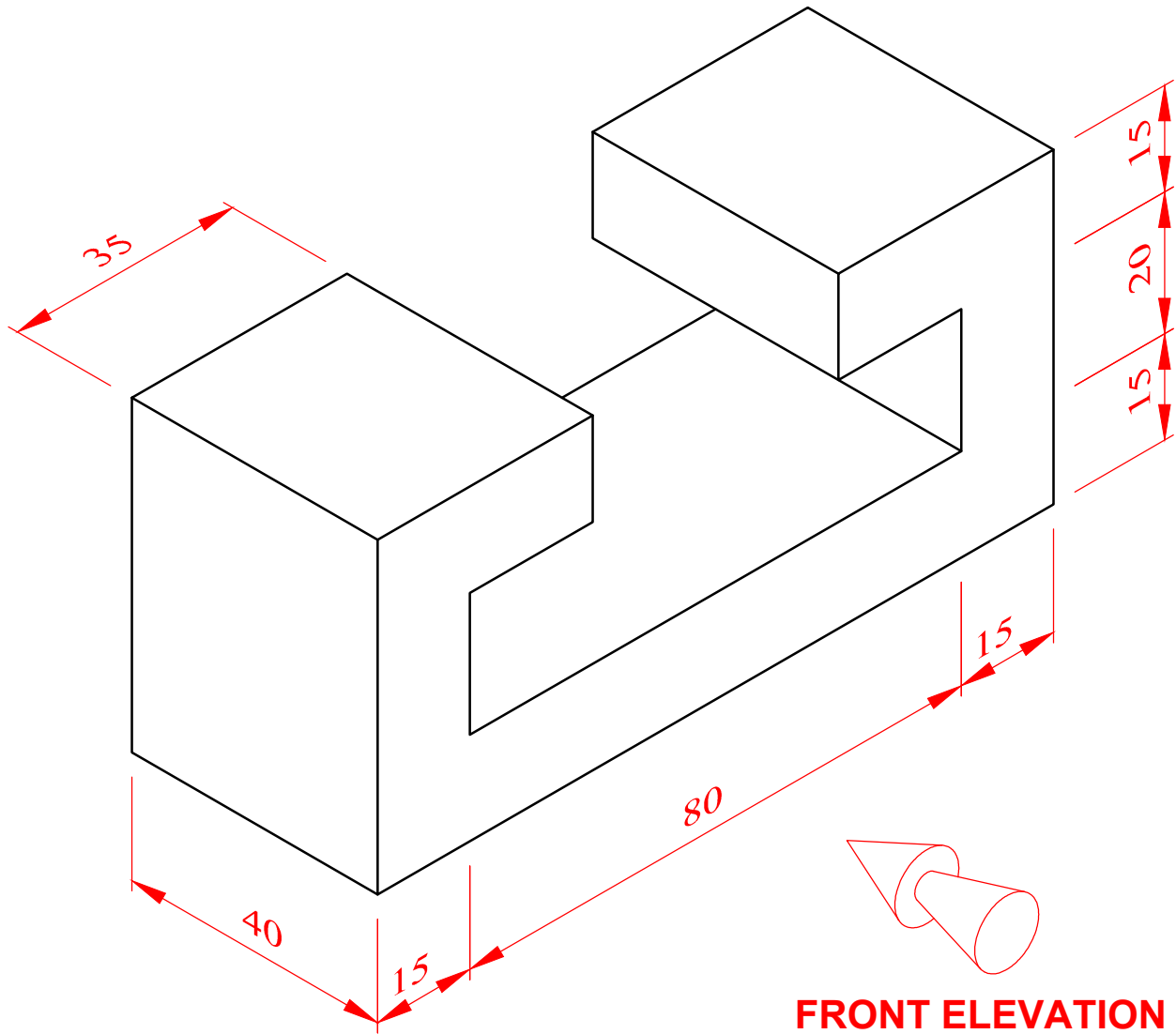


### Project the missing views exercise 3

In first angle orthographic projection, draw the missing:

- a) **Front view** from the direction of the arrow shown,
- b) **First Angle** symbol

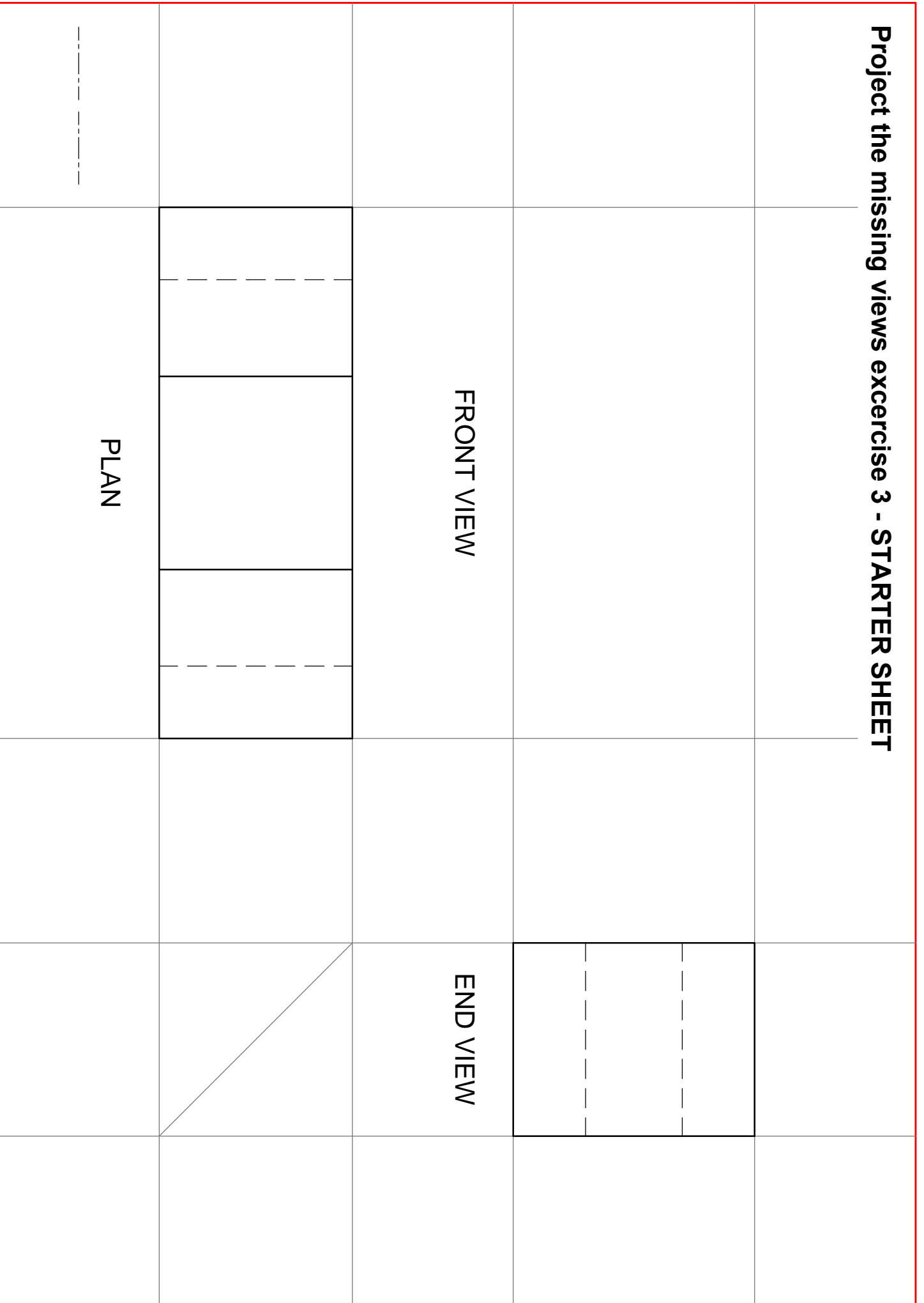


If you have difficulty placing the views and spacing them neatly, you can use the starter sheet provided to help you. As you improve, try completing the drawing without the use of the starter sheet.

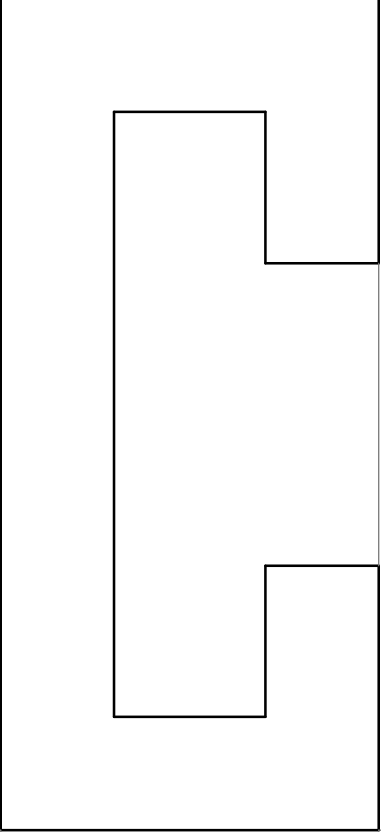
To help you visualize the object better you can visit:

<https://youtu.be/6uknVI8CyT8> for a video of the object rotating in space.

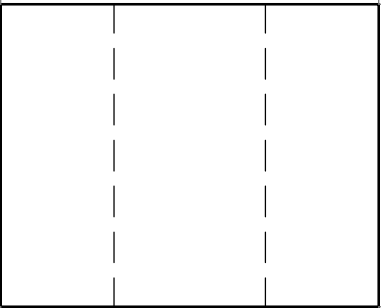
**Project the missing views exercise 3 - STARTER SHEET**



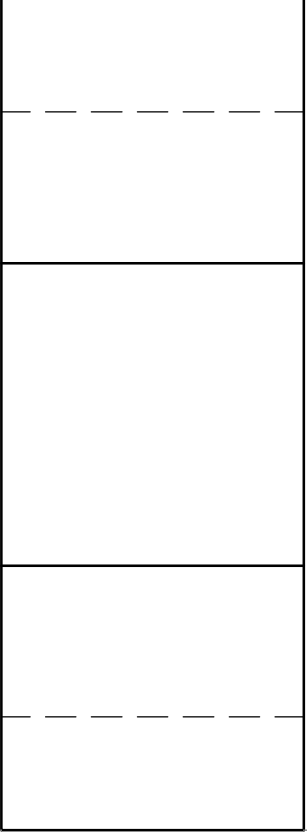
**Project the missing views exercise 3 - ANSWER**



**FRONT VIEW**



**END VIEW**



**PLAN**

