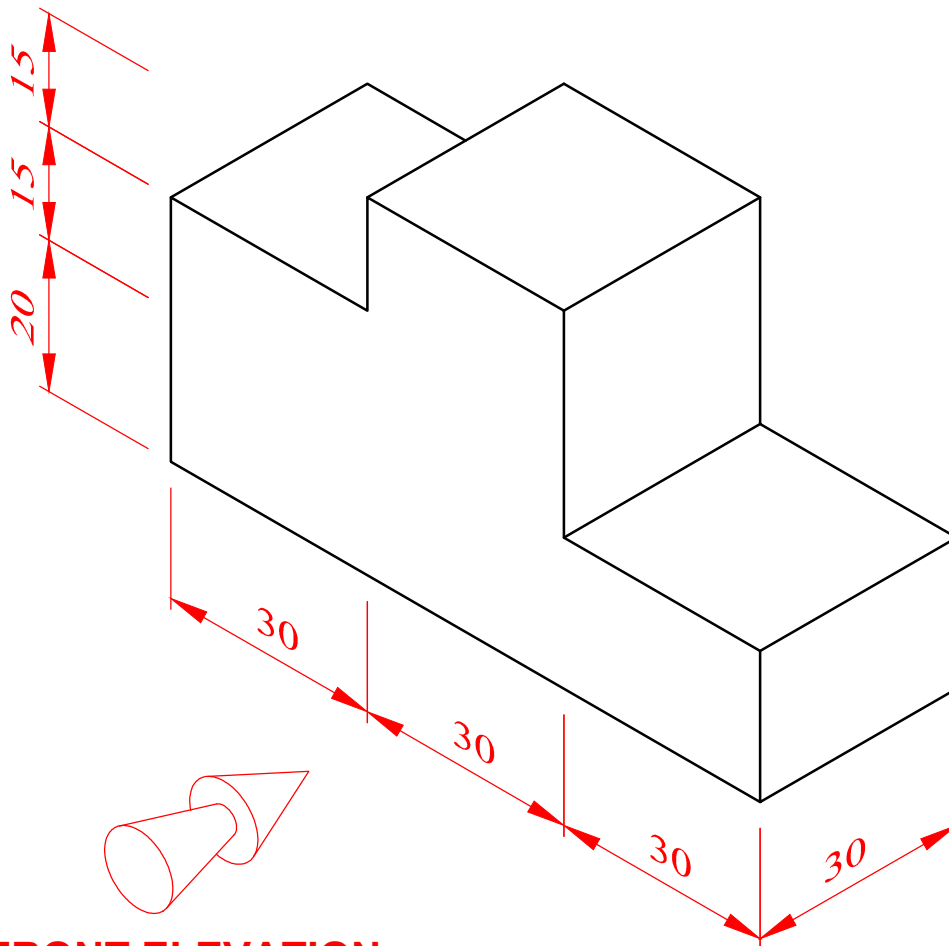


Orthographic Projection Hidden Lines Exercise 2

In first angle orthographic projection, draw the:

- a) **Front view** from the direction of the arrow shown,
- b) **End view**
- c) **Plan**
- d) **First Angle** symbol



FRONT ELEVATION

If you have difficulty placing the views and spacing them neatly, you can use the starter sheet provided to help you. As you improve, try completing the drawing without the use of the starter sheet.

To help you visualize the object better you can visit:

<https://youtu.be/oGnxp0VF6K8> for a video of the object rotating in space.

Orthographic Projection Hidden Lines Exercise 2 - STARTER SHEET

		END VIEW			
				FRONT VIEW	
				PLAN	



Orthographic Projection Hidden Lines Exercise 2 - ANSWER

