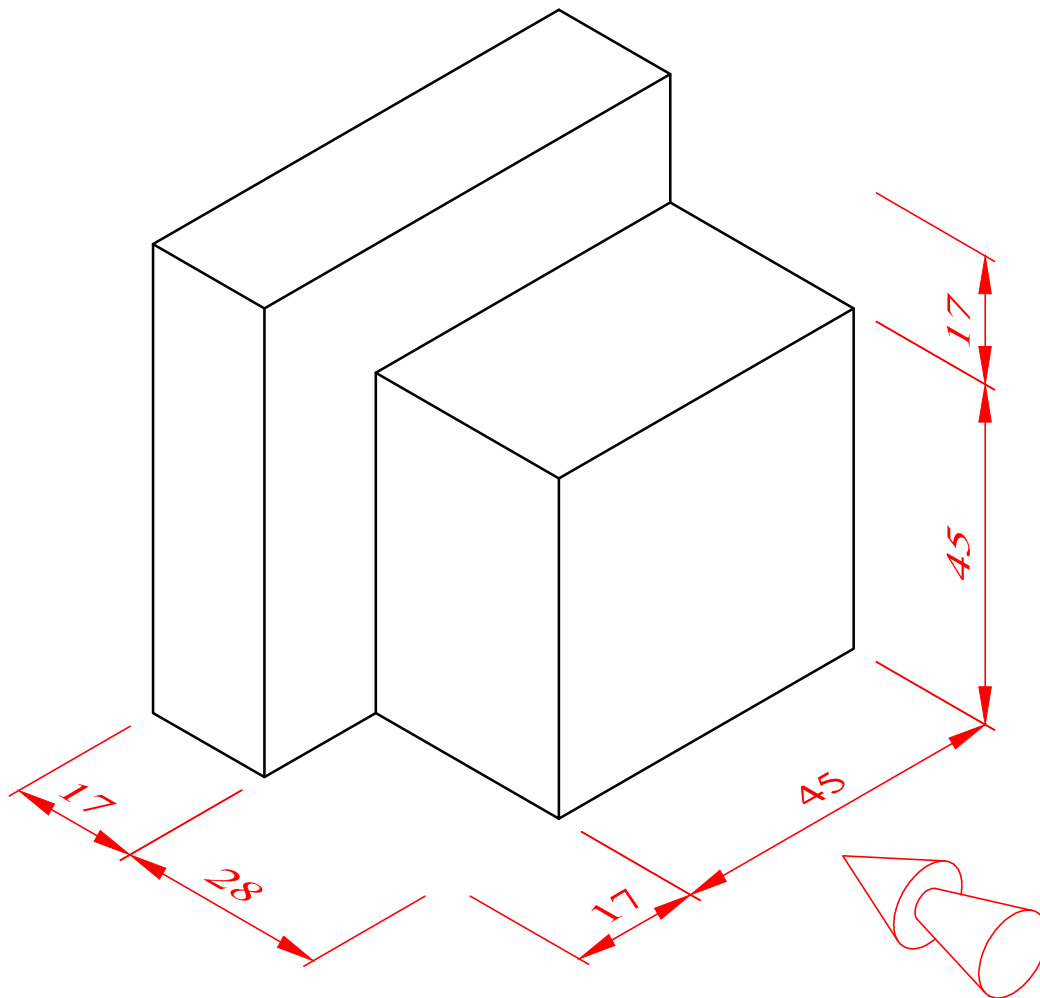


## Orthographic Projection Exercise 5

In orthographic projection, draw the:

- Front view** from the direction of the arrow shown,
- End view**
- Plan**
- First Angle** symbol



**FRONT ELEVATION**

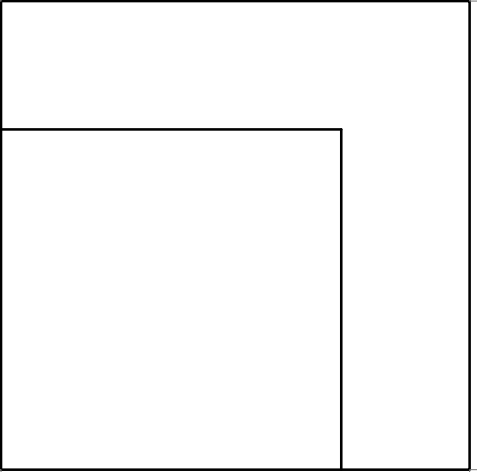
If you have difficulty placing the views and spacing them neatly, you can use the starter sheet provided to help you. As you improve, try completing the drawing without the use of the starter sheet.

To help you visualize the object better you can visit:

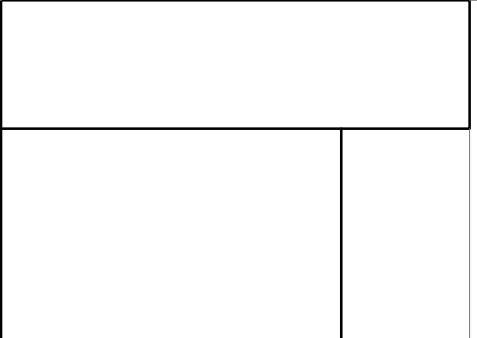
<https://youtu.be/XpOPx0gQVJc> for a video of the object rotating in space.



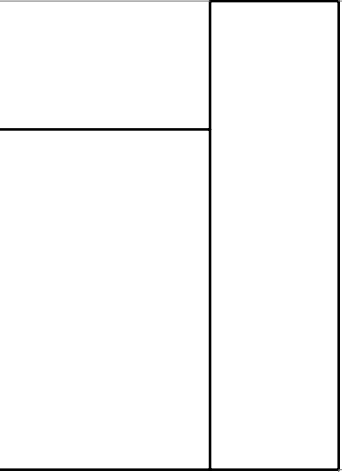
**Orthographic Projection Exercise 5 - ANSWER**



**FRONT VIEW**



**END VIEW**



**PLAN**

