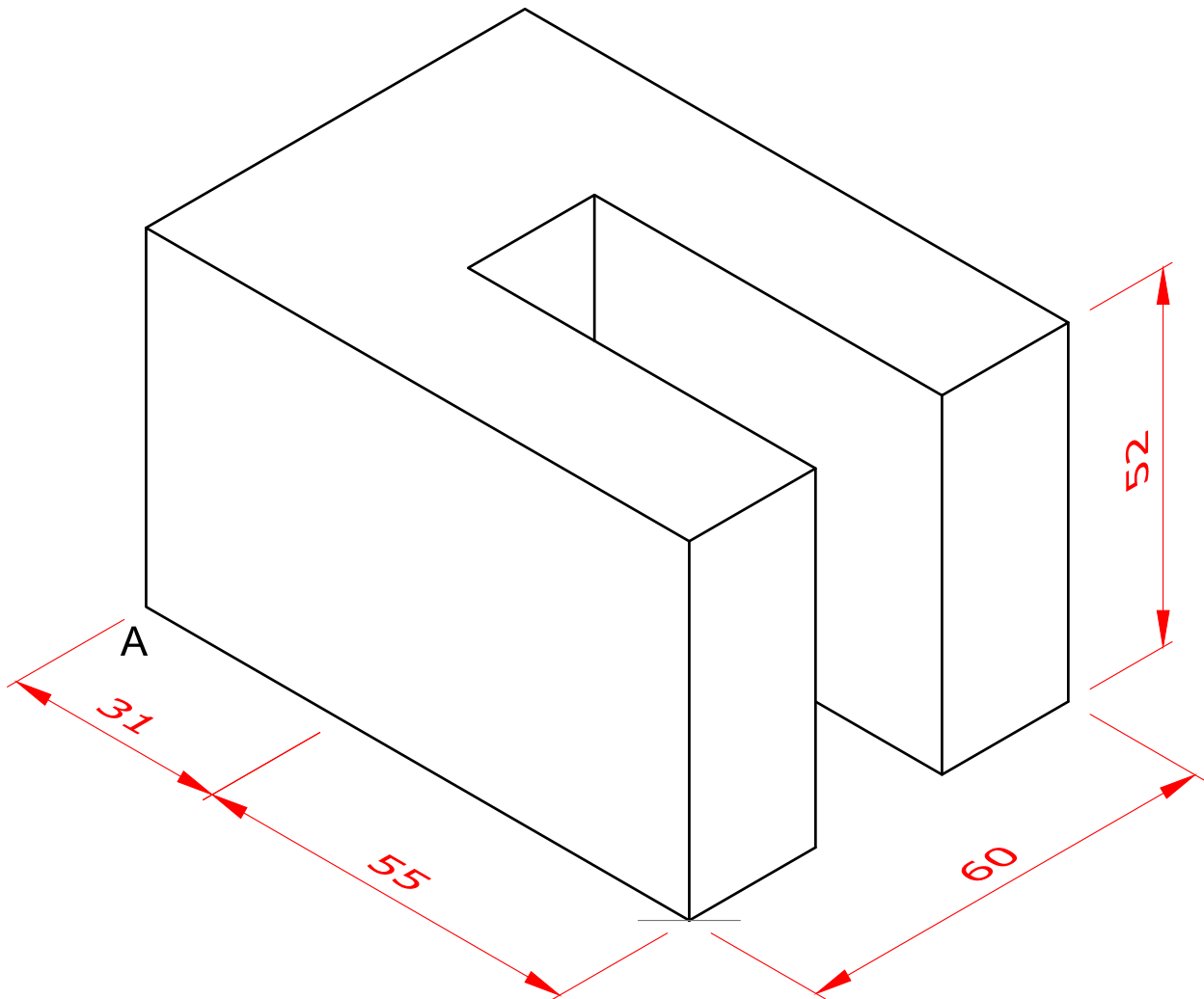


## Cabinet Oblique Projection Exercise 4

Draw the following block in cabinet oblique projection using instruments.



If you have difficulty in drawing this cabinet oblique projection, you can use the starter sheet provided to help you. As you improve, try completing the drawing without the use of the starter sheet.

To help you visualize the object better you can visit:

<https://youtu.be/MddrLvLSSjg> for a video of the object rotating in space.

**Cabinet Oblique Projection Exercise 4 - STARTER SHEET**



**Cabinet Oblique Projection Exercise 4 - ANSWER SHEET**

