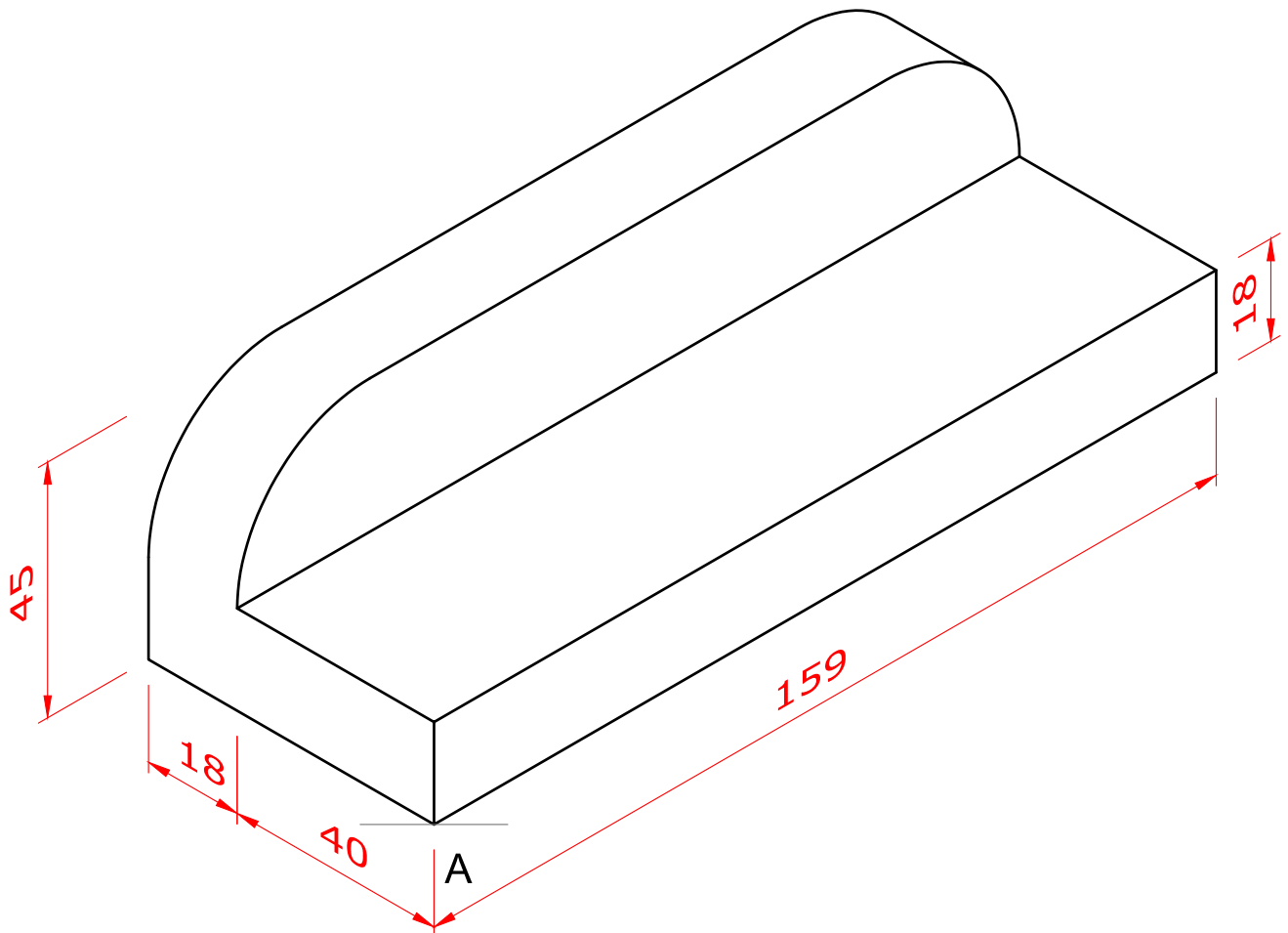


Cabinet Oblique Projection Exercise 11

Draw the following block in cabinet oblique projection using instruments.



If you have difficulty in drawing this cabinet oblique projection, you can use the starter sheet provided to help you. As you improve, try completing the drawing without the use of the starter sheet.

To help you visualize the object better you can visit:

<https://youtu.be/OUcwlUSfJhl> for a video of the object rotating in space.

Cabinet Oblique Projection Exercise 11 - STARTER SHEET



Cabinet Oblique Projection Exercise 11 - ANSWER SHEET

