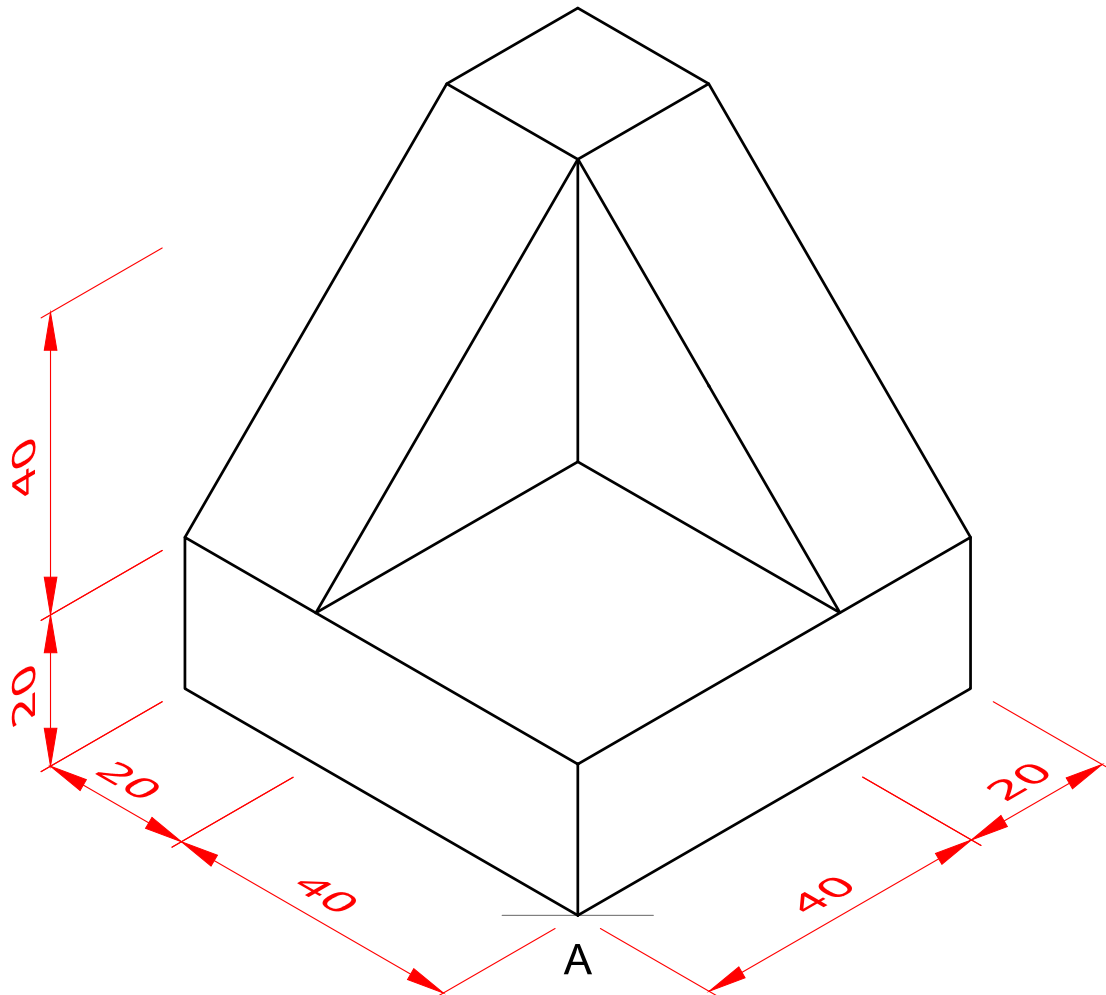


Isometric Projection Exercise 8

Draw the following block in isometric projection using instruments. Additionally you may colour the different planes using three colours and the sloping surfaces using a fourth colour.

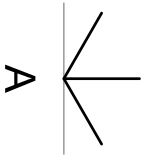


If you have difficulty in drawing this isometric projection, you can use the starter sheet provided to help you. As you improve, try completing the drawing without the use of the starter sheet.

To help you visualize the object better you can visit:

https://youtu.be/chOg_1iYsP0 for a video of the object rotating in space.

Isometric Projection Exercise 8 - STARTER SHEET



Isometric Projection Exercise 8 - ANSWER SHEET

