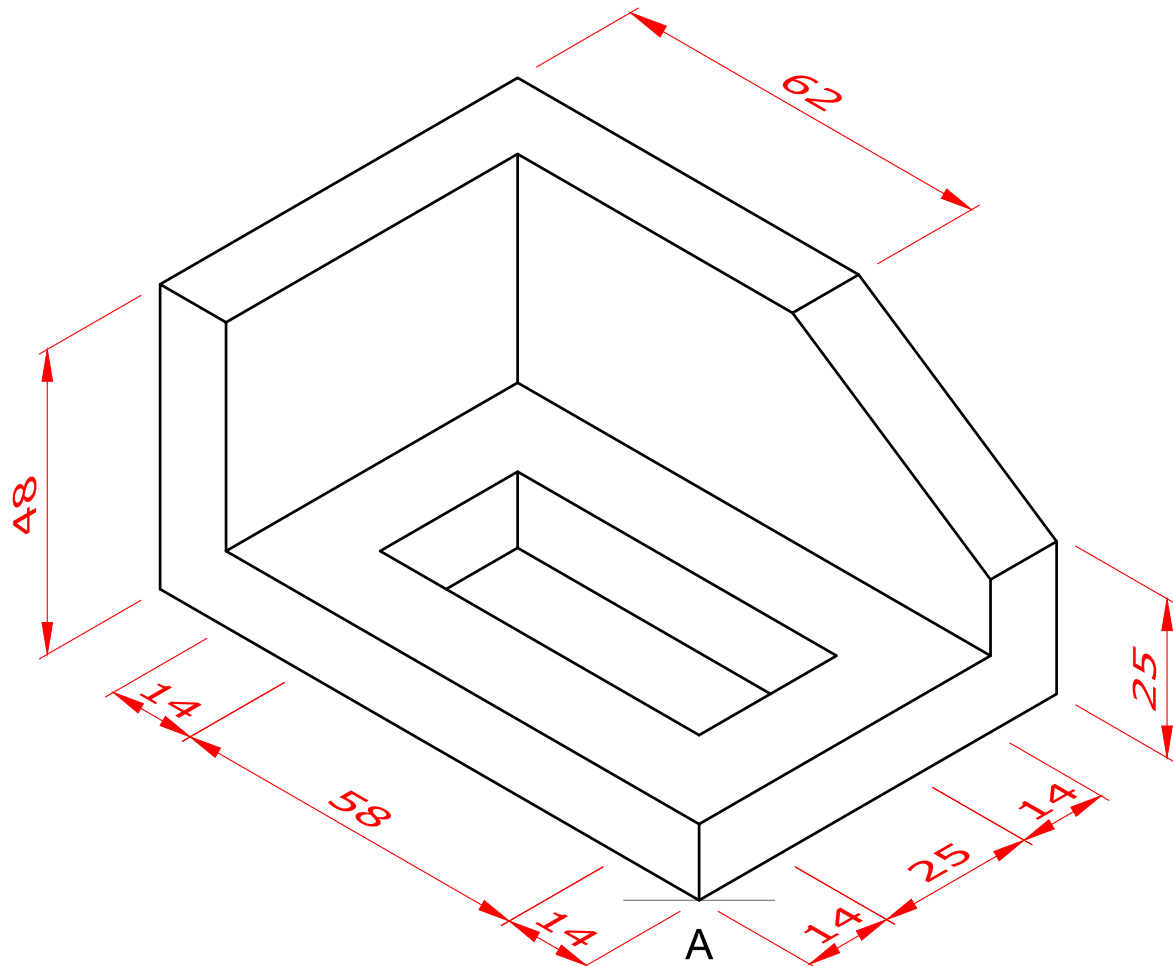


Isometric Projection Exercise 11

Draw the following block in isometric projection using instruments. Additionally you may colour the different planes using three colours and the sloping surface using a fourth colour.



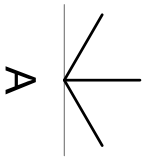
Material thickness is 12mm throughout.

If you have difficulty in drawing this isometric projection, you can use the starter sheet provided to help you. As you improve, try completing the drawing without the use of the starter sheet.

To help you visualize the object better you can visit:

<https://youtu.be/17gPgQO4L1o> for a video of the object rotating in space.

Isometric Projection Exercise 11 - STARTER SHEET



Isometric Projection Exercise 11 - ANSWER SHEET

