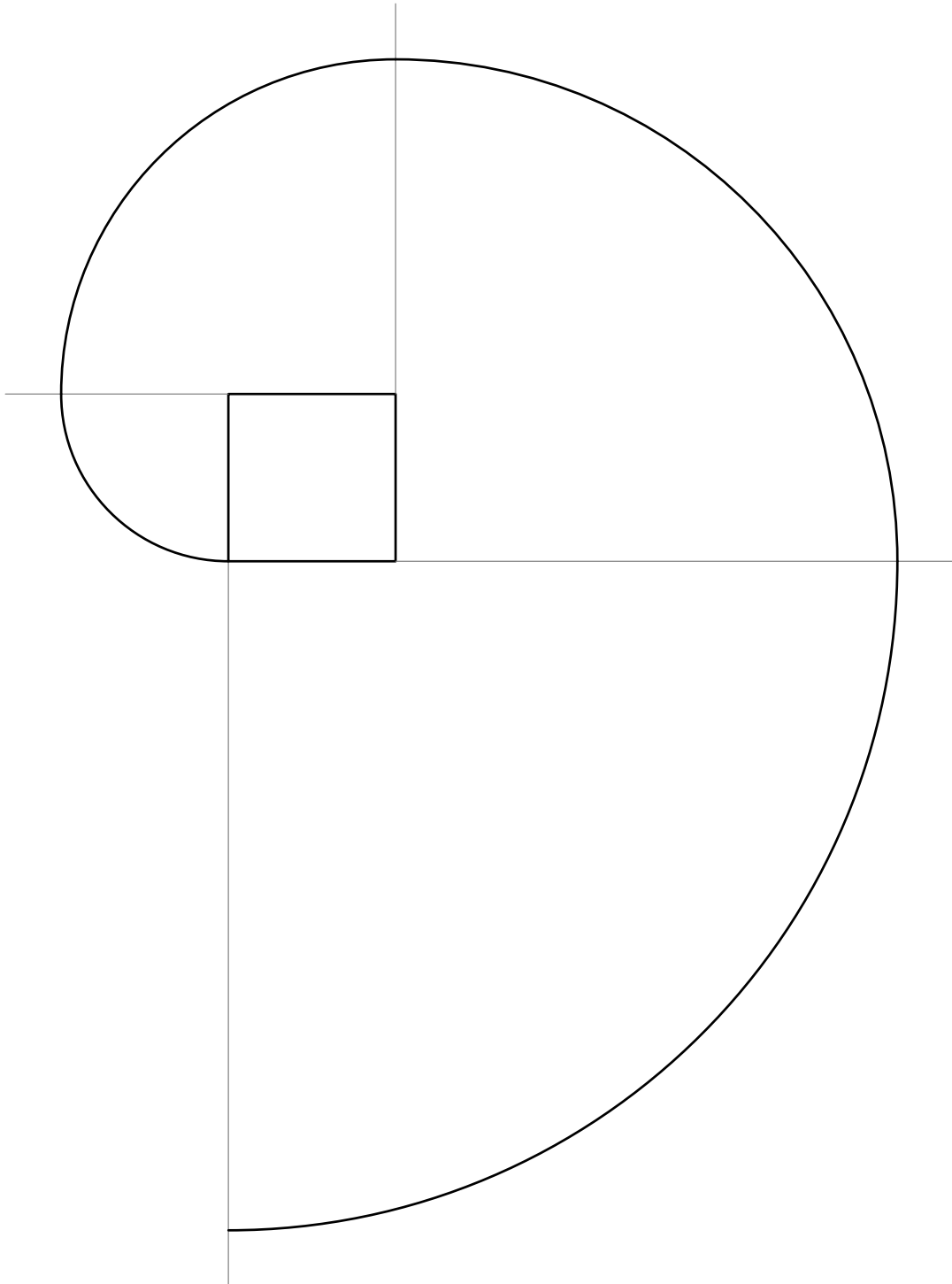


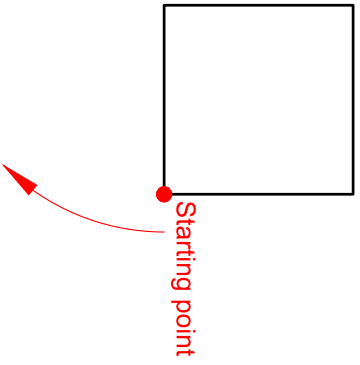
Drawing an involute of a square.

In this exercise we will draw an involute of a square.

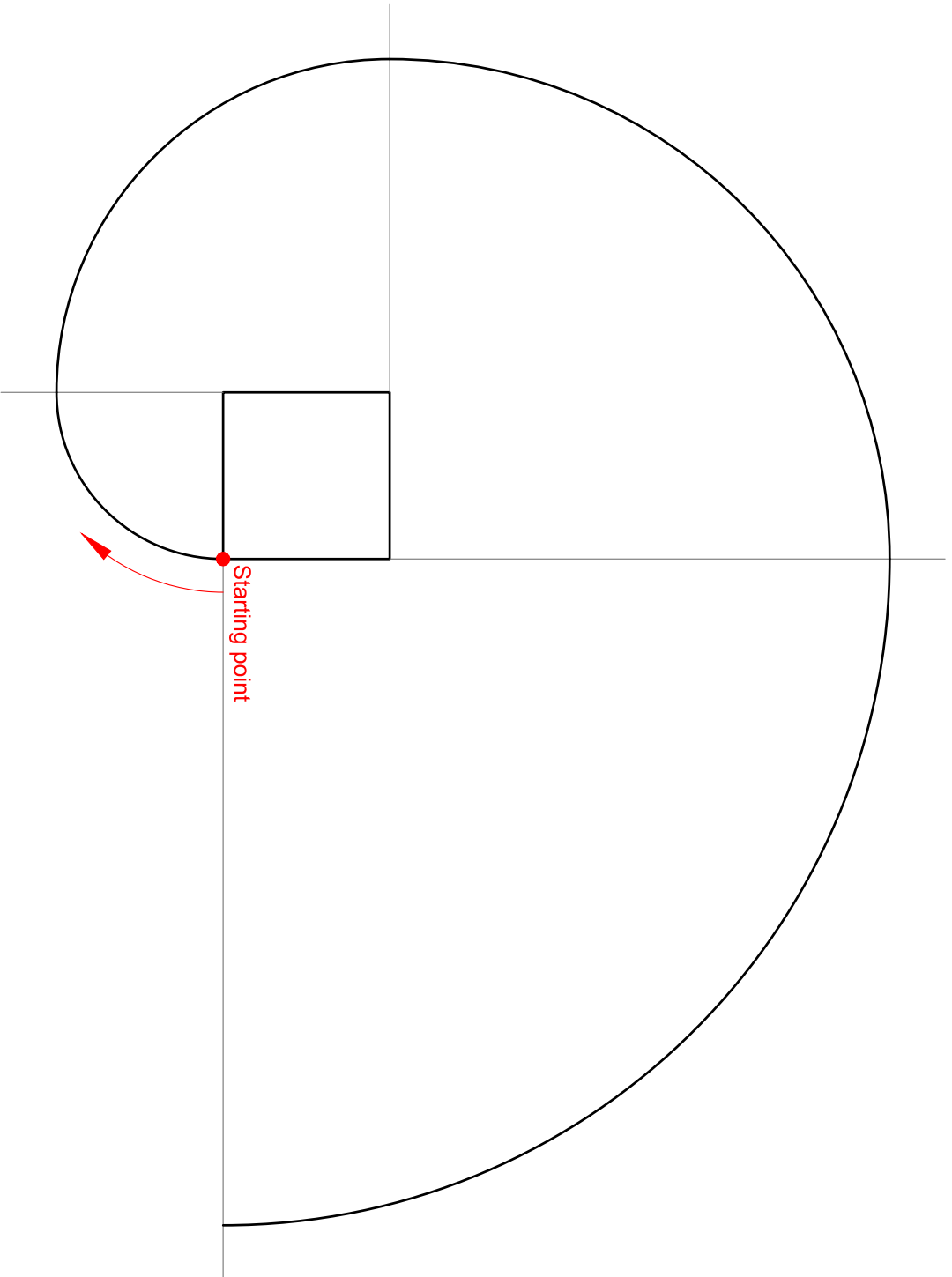


You can visit: <https://youtu.be/pdOMHzX58Rc> for a video demonstration of an involute of a square.

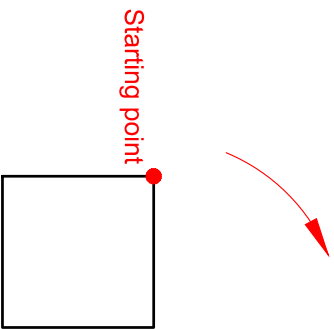
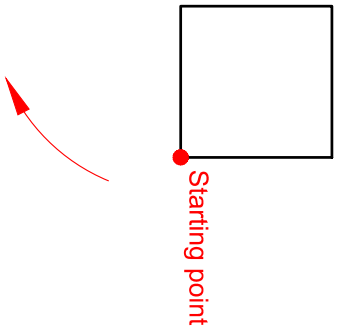
Drawing an involute of a square Exercise 1 - STARTER SHEET



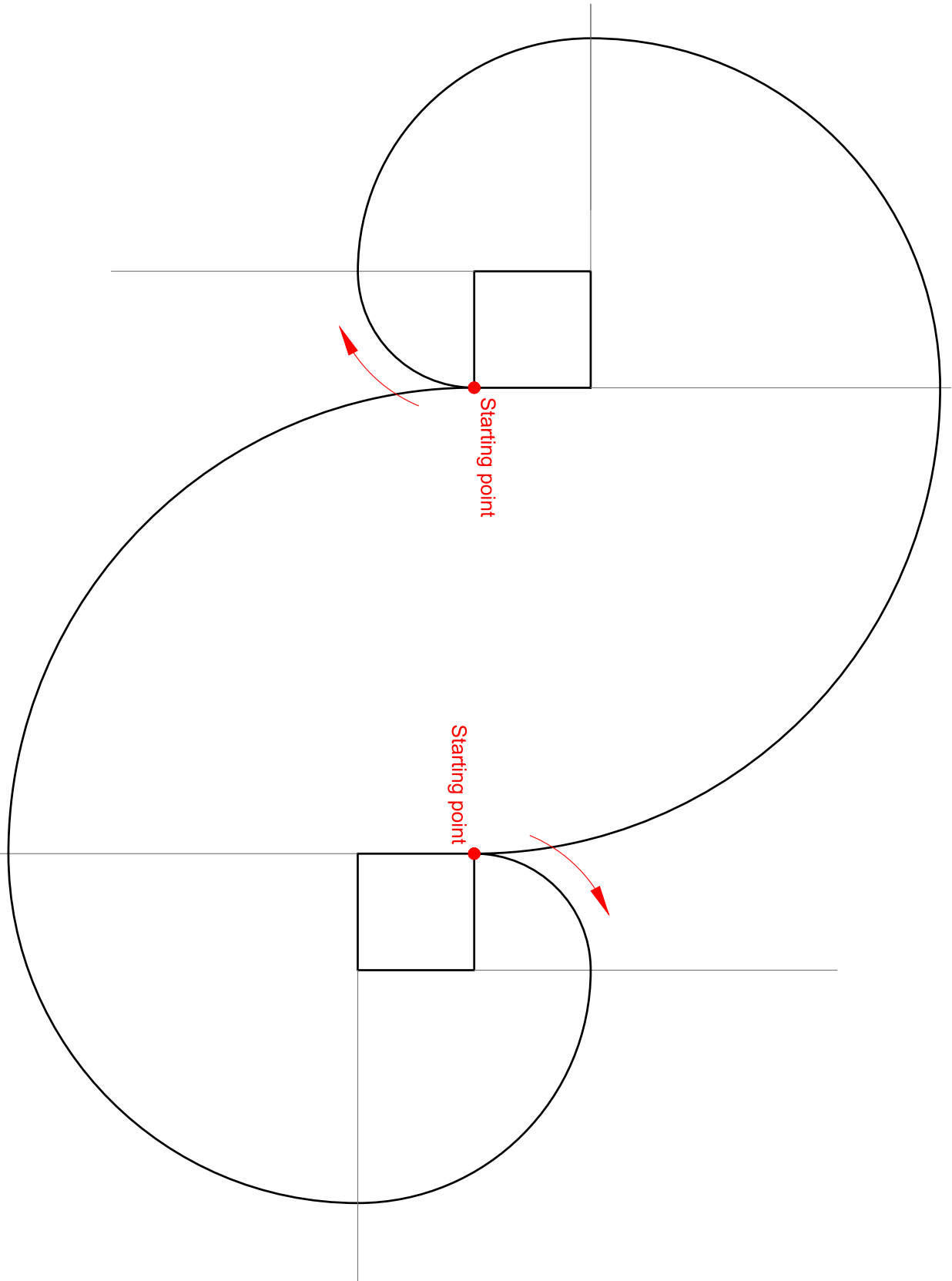
Drawing an involute of a square Exercise 1 - ANSWER SHEET



Drawing an involute of a square Exercise 2 - STARTER SHEET

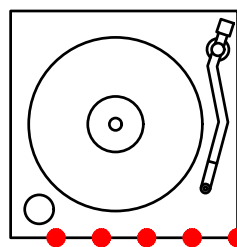
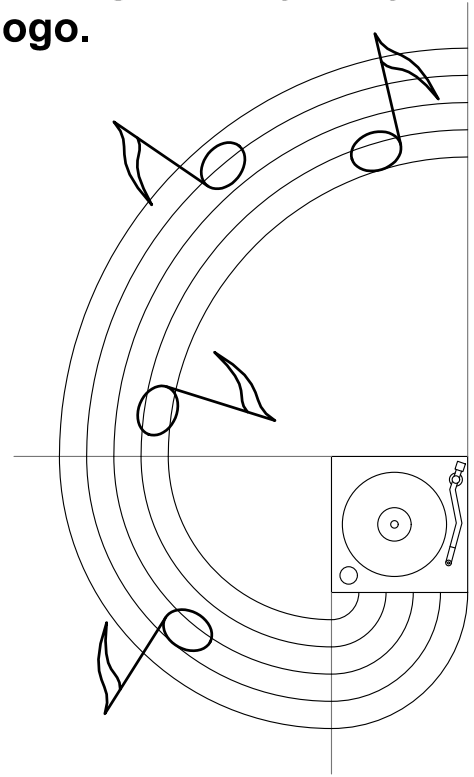


Drawing an involute of a square Exercise 2 - ANSWER SHEET



Involute of a square Exercise 3 - STARTER SHEET

A local band called 'Country Class' have designed their logo to be made out of a vinyl player and 5 involutes representing music script. Construct $\frac{3}{4}$ turns of the involutes by using the vinyl player as a base. Draw music notes to complete the logo.



Starting points

Involute of a square Exercise 3 - ANSWER SHEET

A local band called 'Country Class' have designed their logo to be made out of a vinyl player and 5 involutes representing music script. Construct $\frac{3}{4}$ turns of the involutes by using the vinyl player as a base. Draw music notes to complete the logo.

