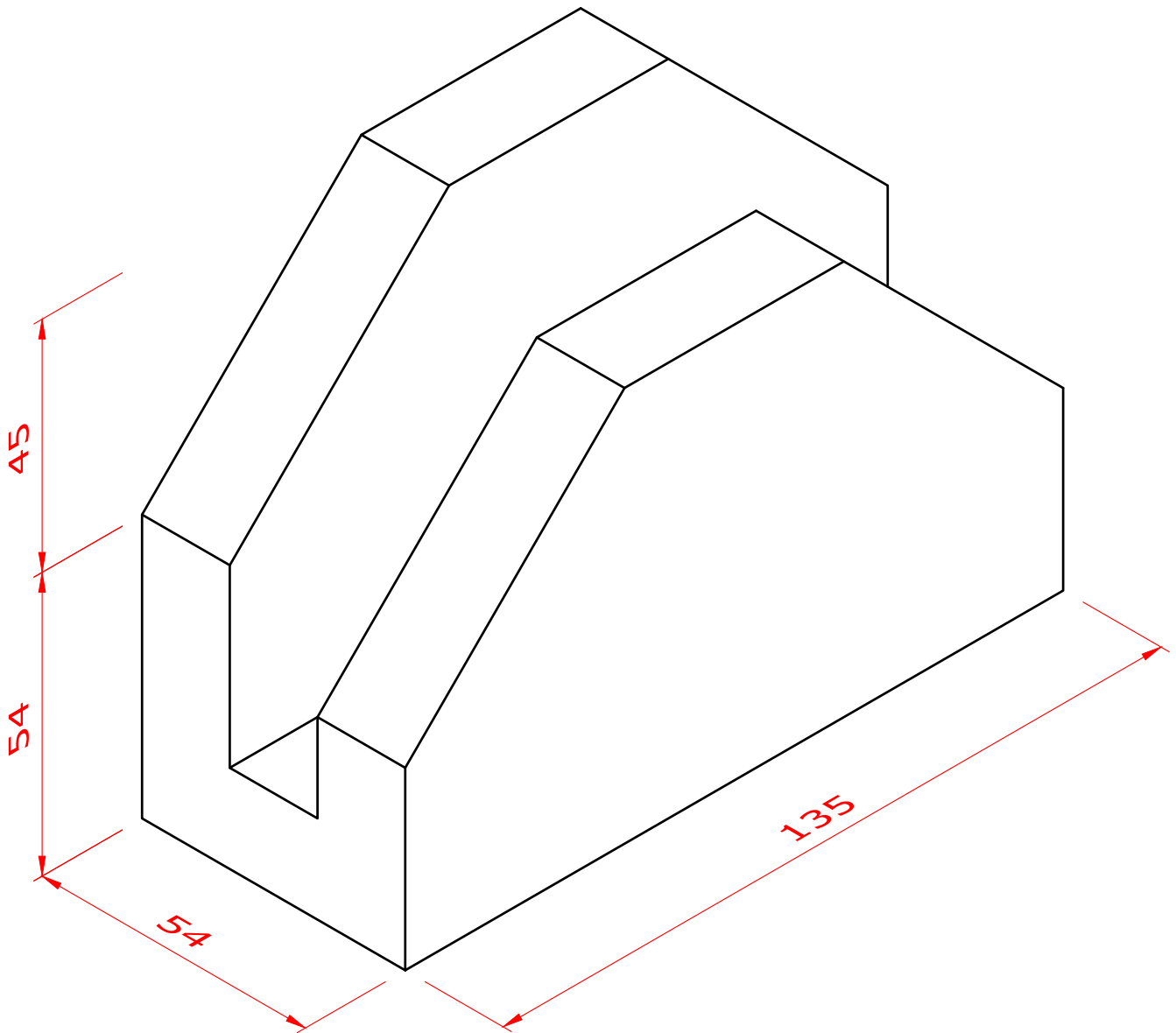


Freehand Pictorial Projection Exercise 10

Draw the following block in freehand projection without using any instruments. You can choose between isometric, oblique or planometric projection for your answer.



To help you visualize the object better you can visit:
<https://youtu.be/eZeyqLW8Lcs> for a video of the object rotating in space.

Freehand Pictorial Projection Exercise 10 - STARTER SHEET

Freehand Pictorial Projection Exercise 10 - ANSWER SHEET

