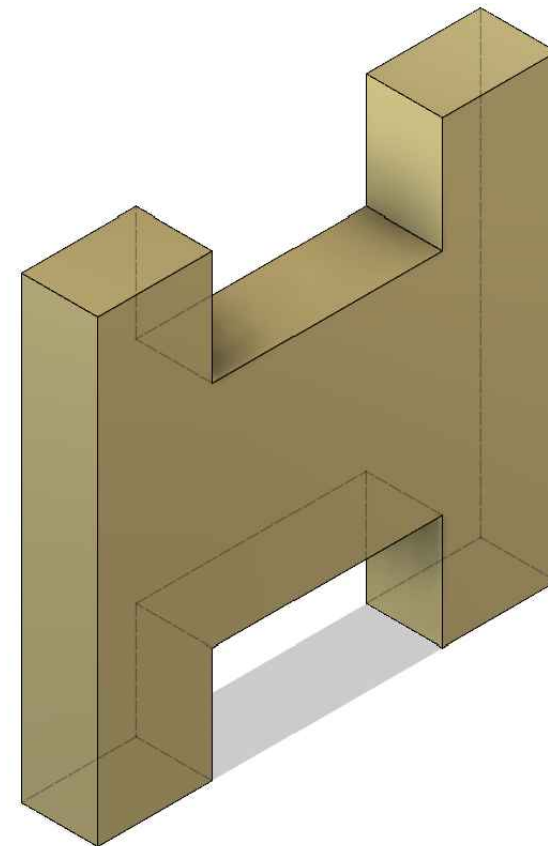
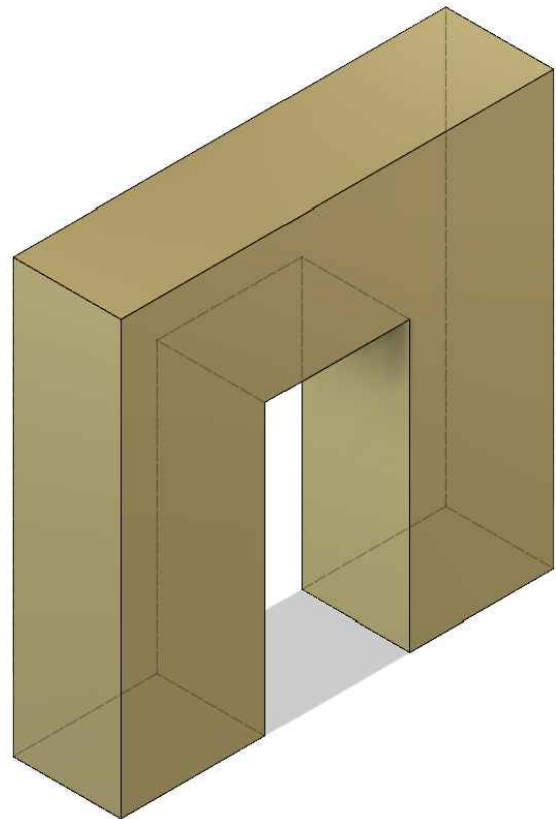
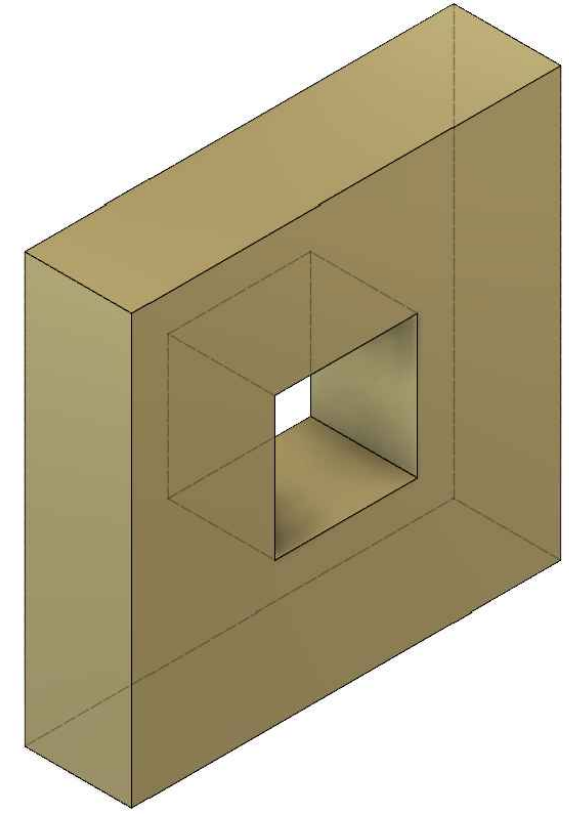
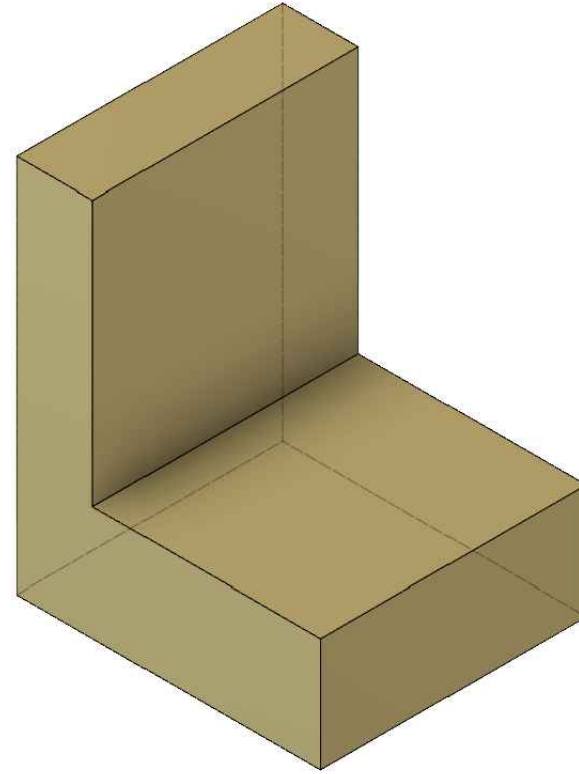
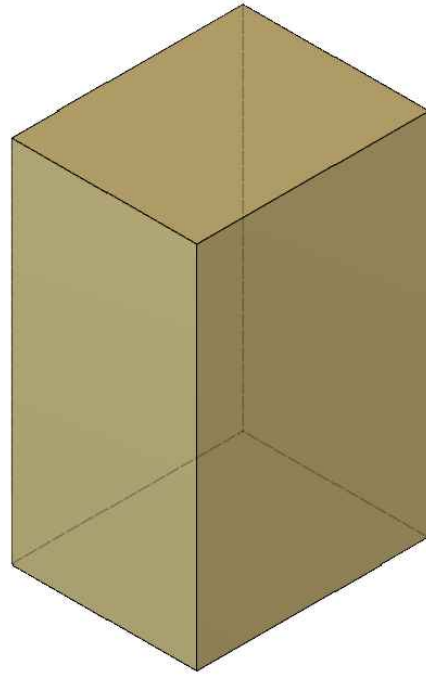


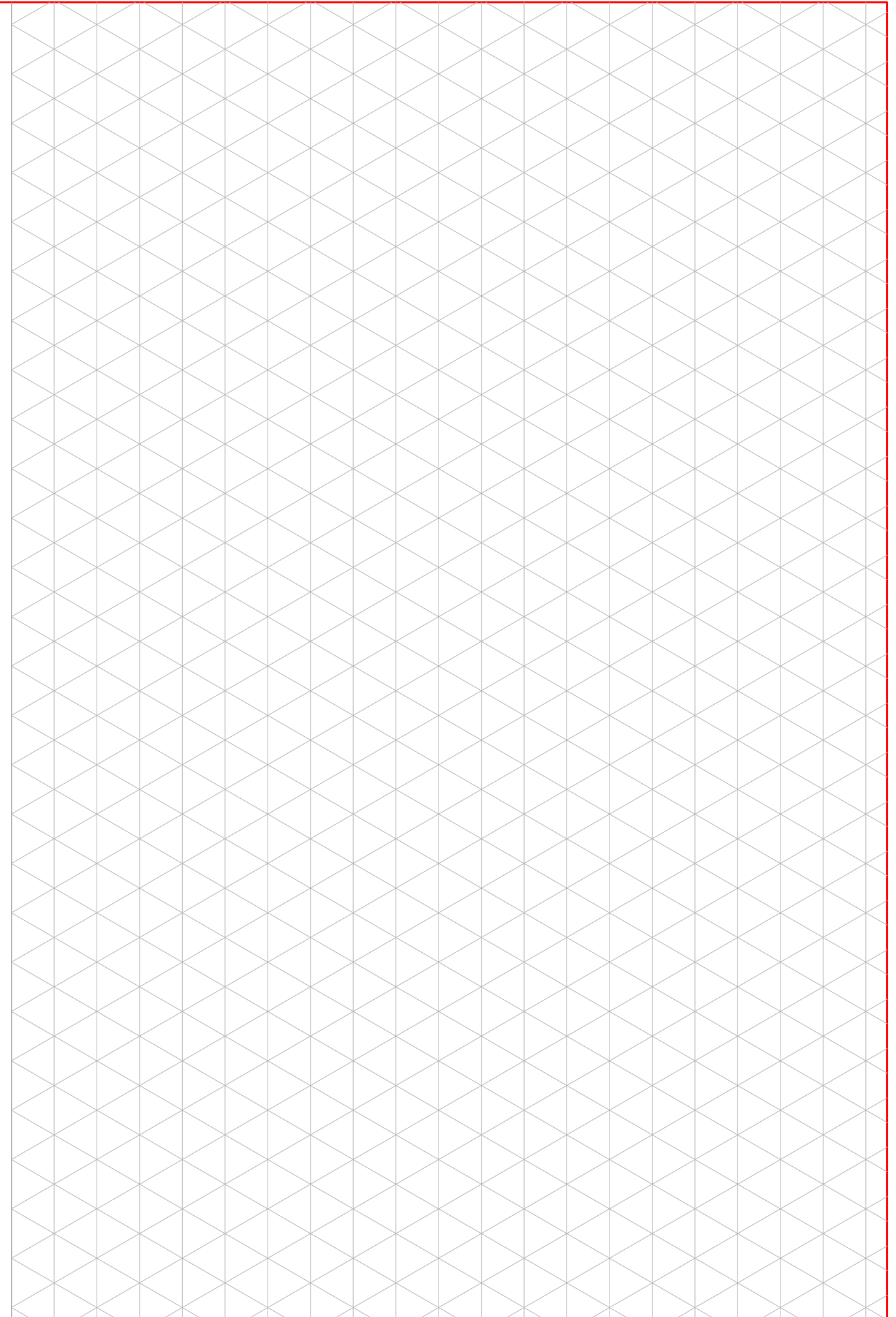
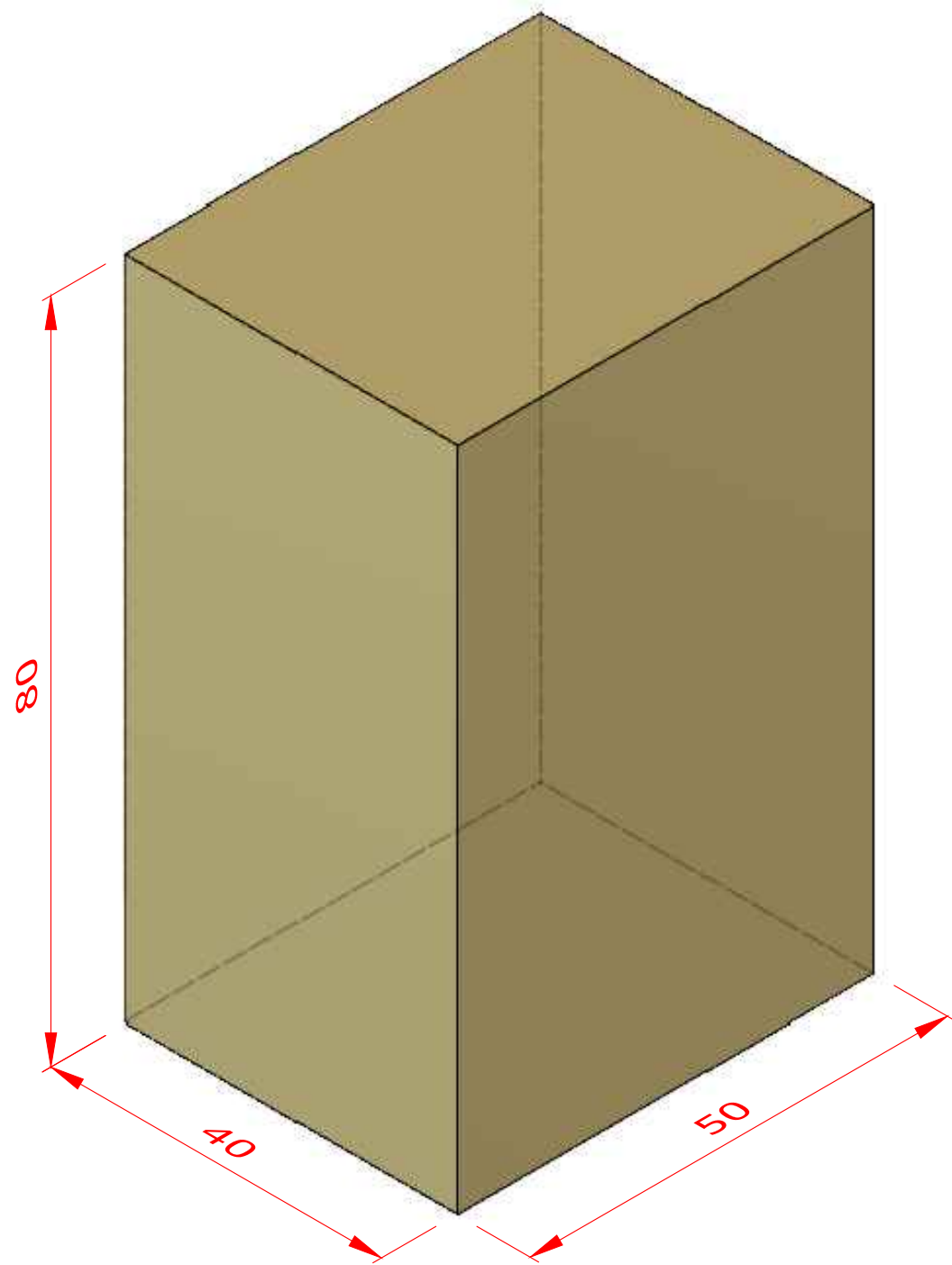
Isometric blocks using grids exercises

Draw the following 5 blocks in isometric using the isometric grids on the right, to help you understand the geometry of the objects.



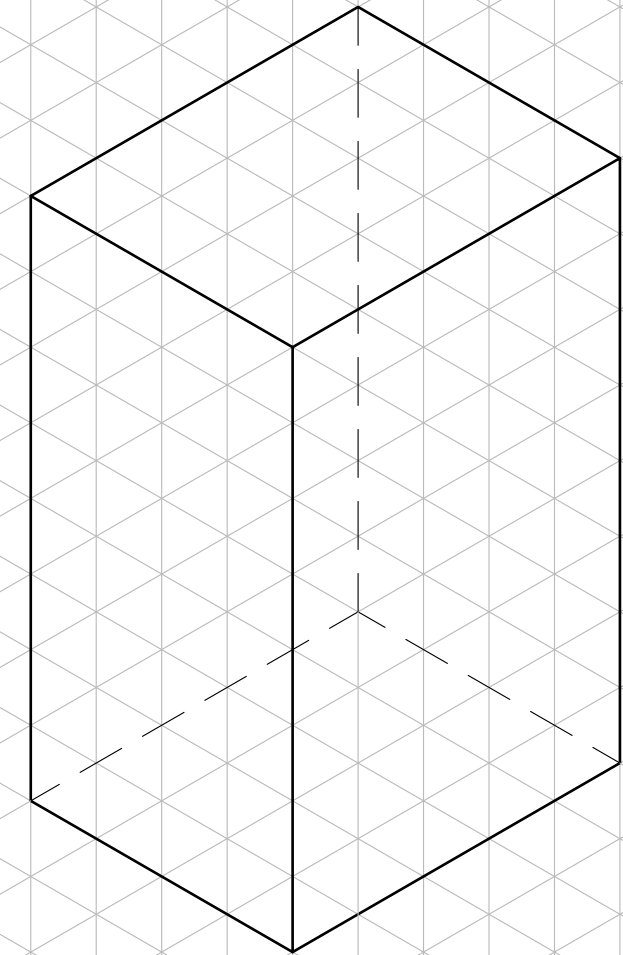
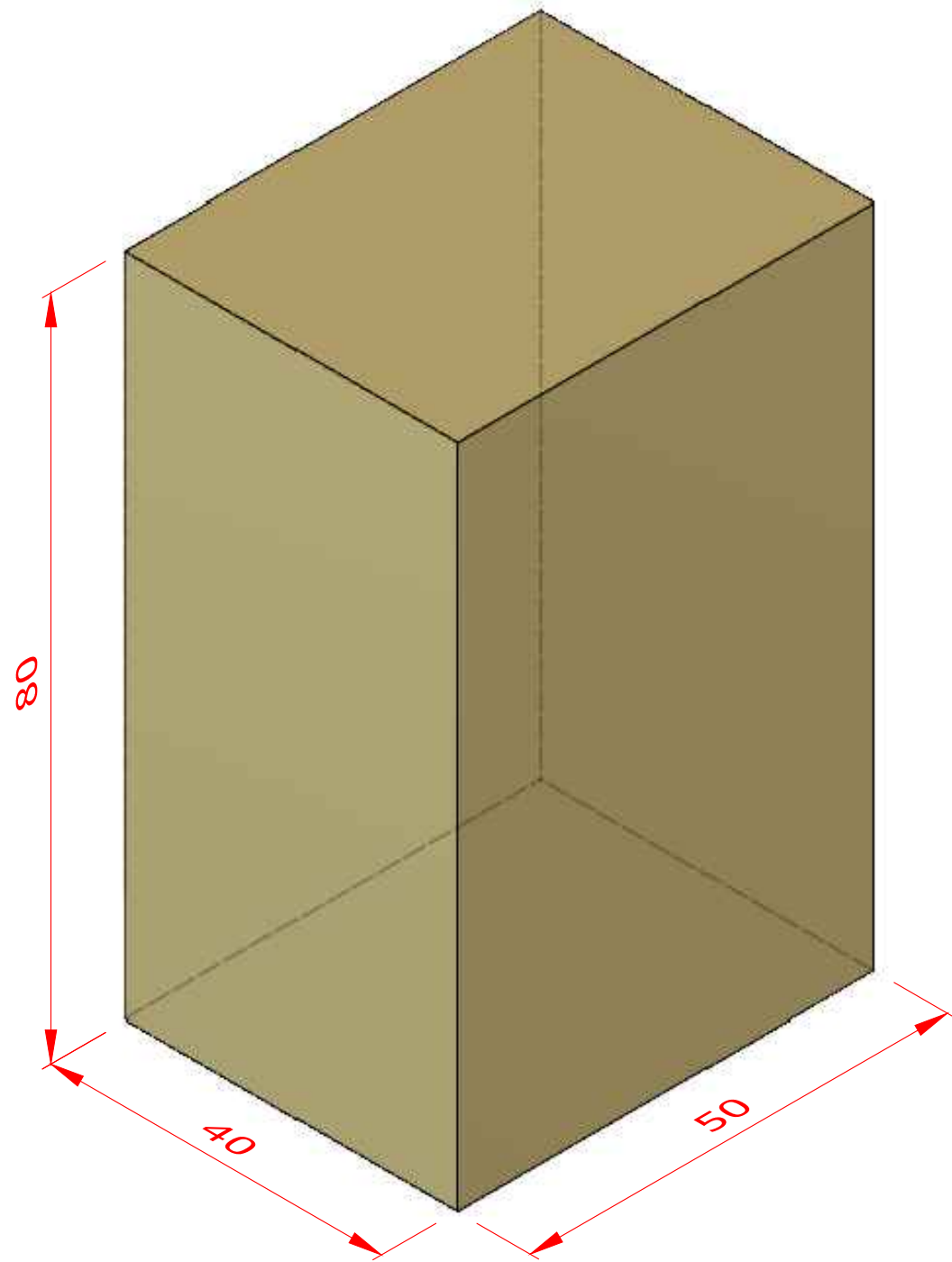
Isometric drawing block 1 - STARTER SHEET

Note: each grid square represents 10mm



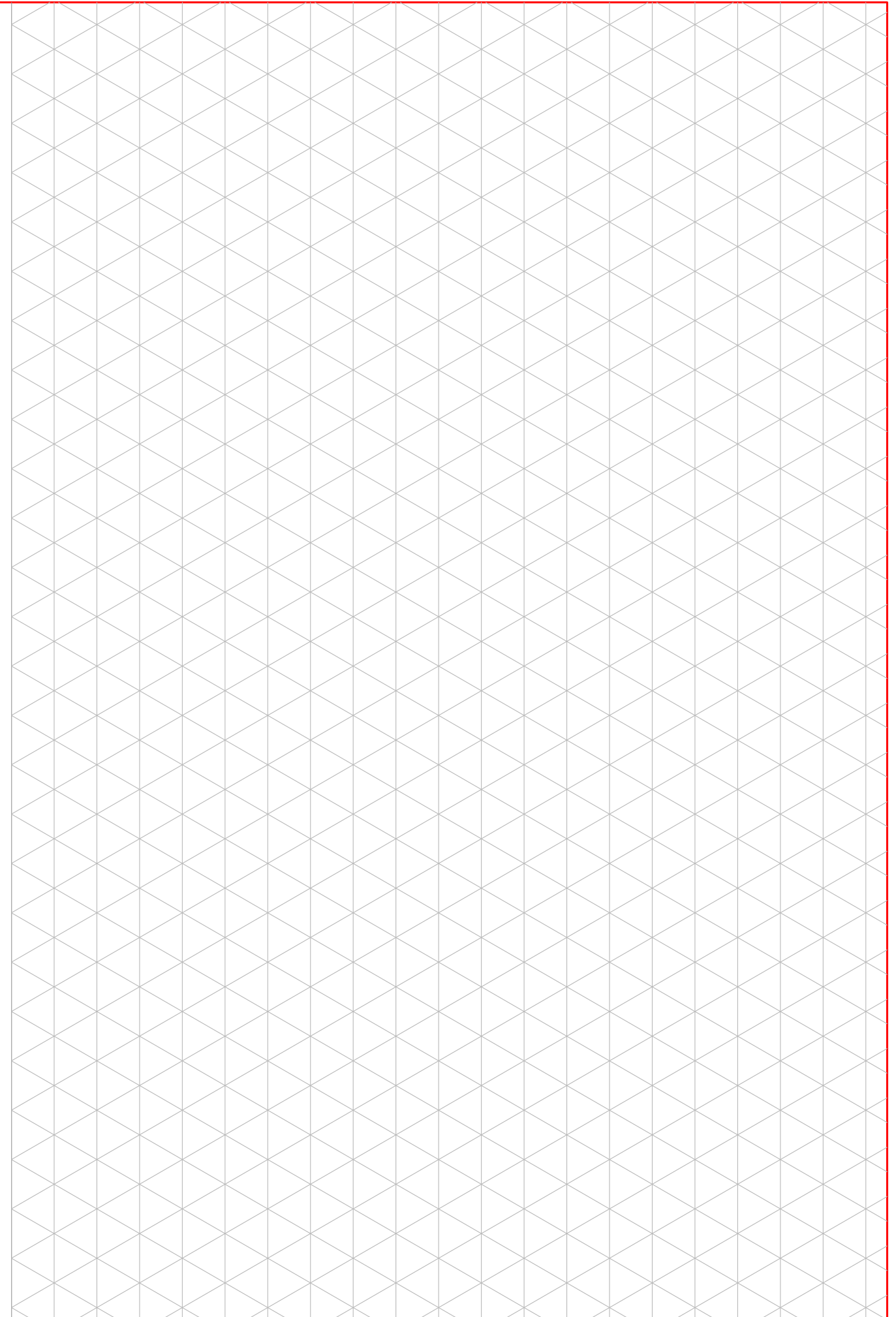
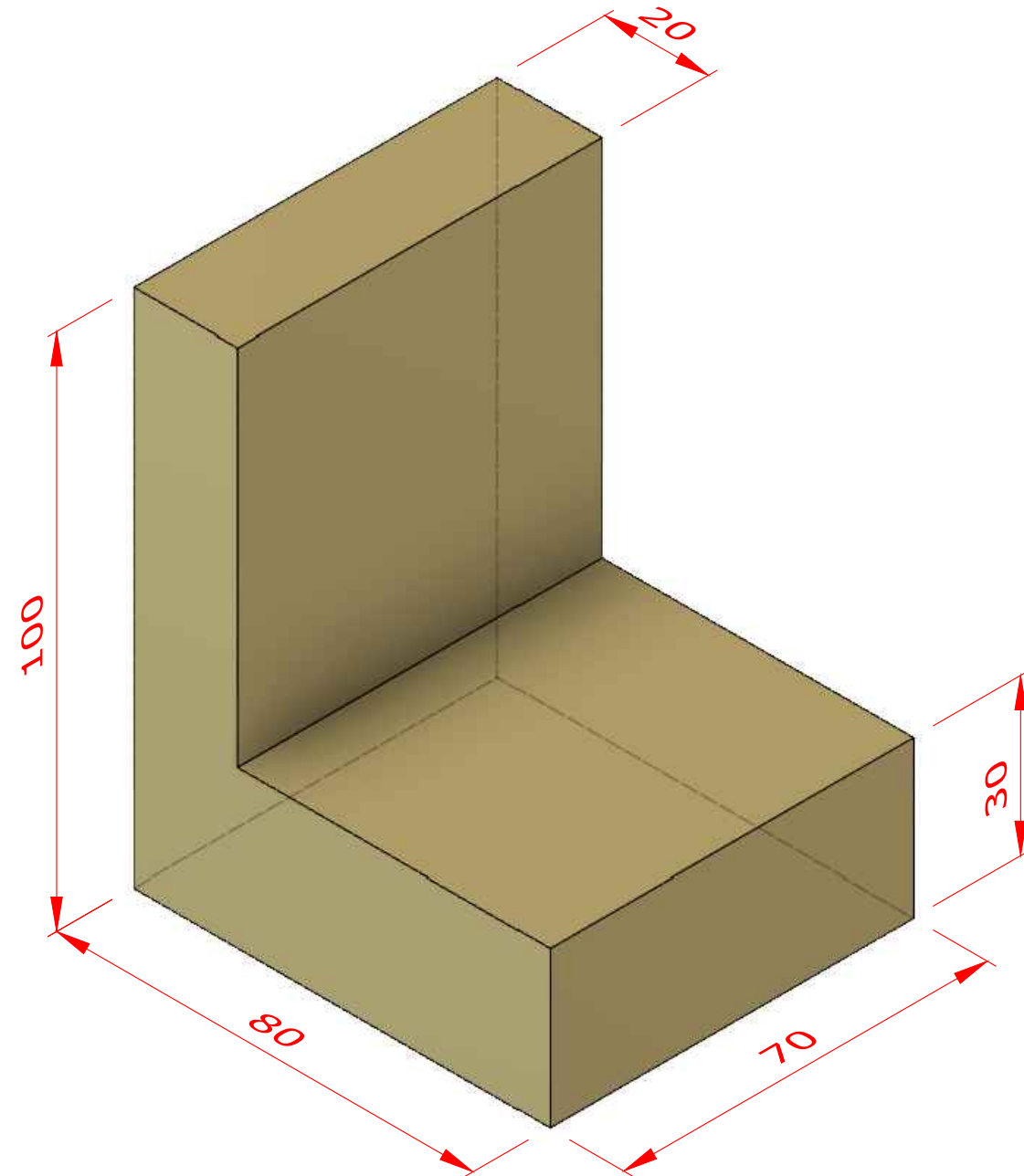
Isometric drawing block 1 - ANSWER

Note: As a general rule, hidden lines do not feature in pictorial views but where these prove so crucial towards the understanding of the geometries of 3D models (Jackson & Coll, 1994, p. 8-15), an exception can be made.



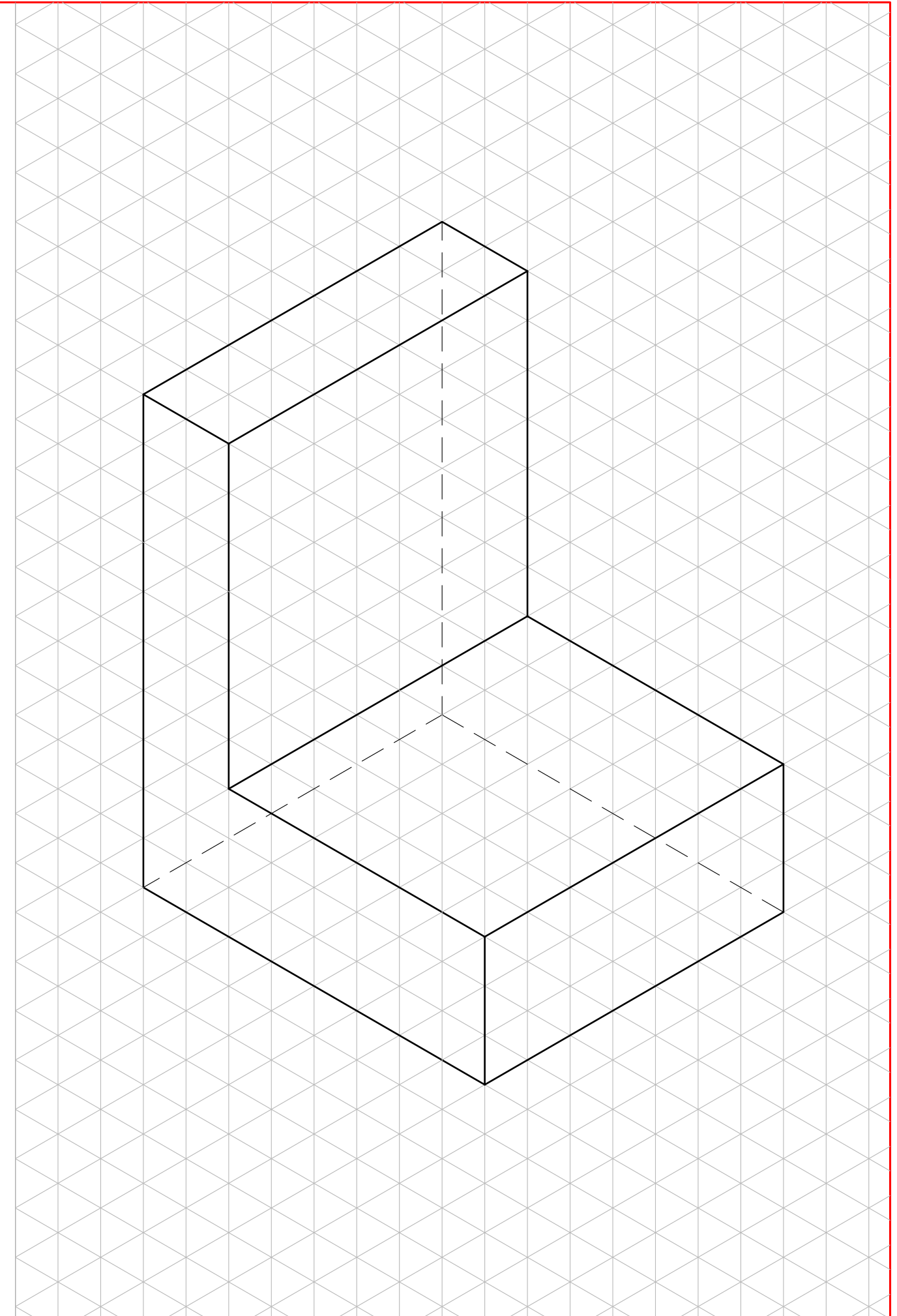
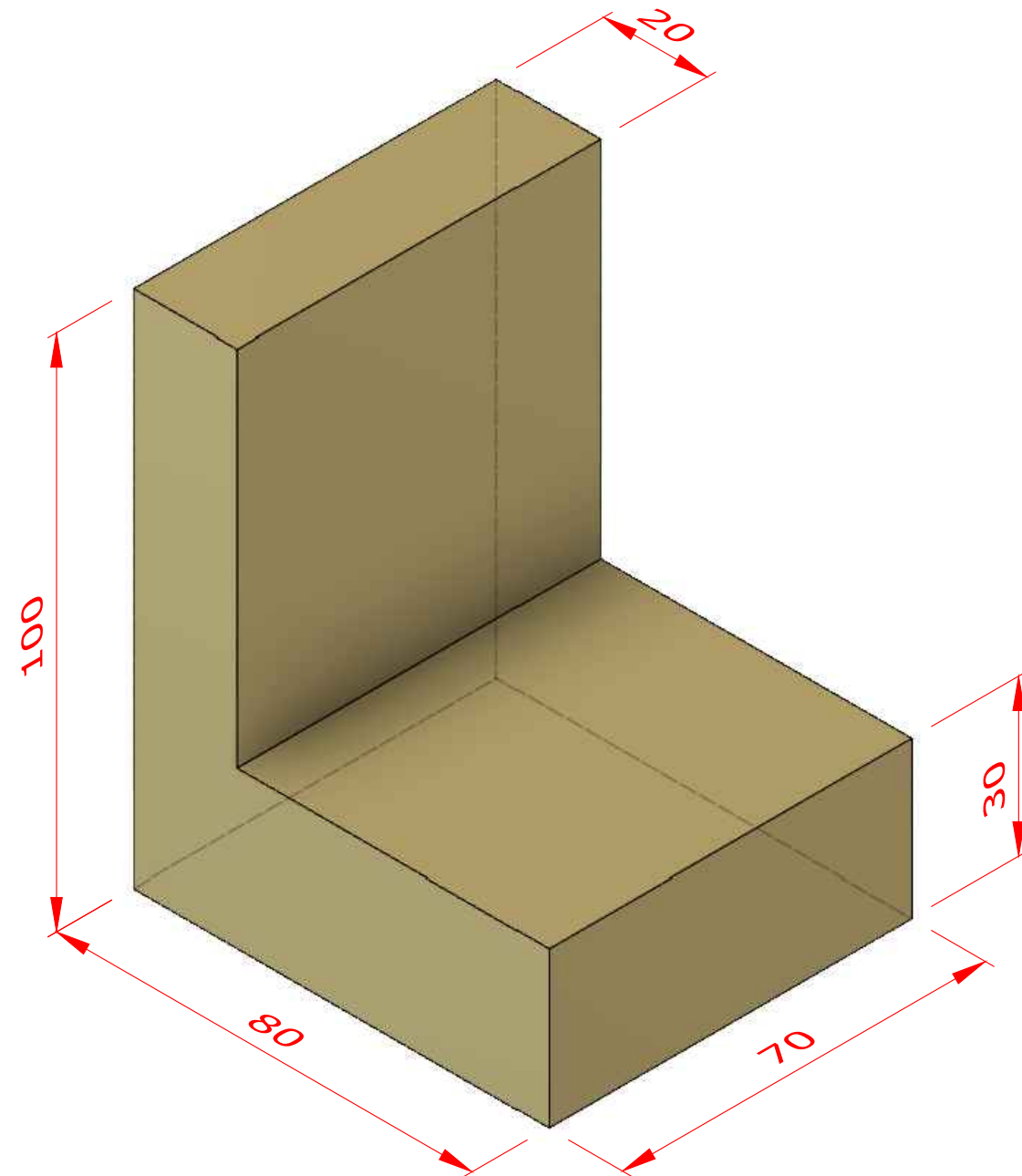
Isometric drawing block 2 - STARTER SHEET

Note: each grid square represents 10mm



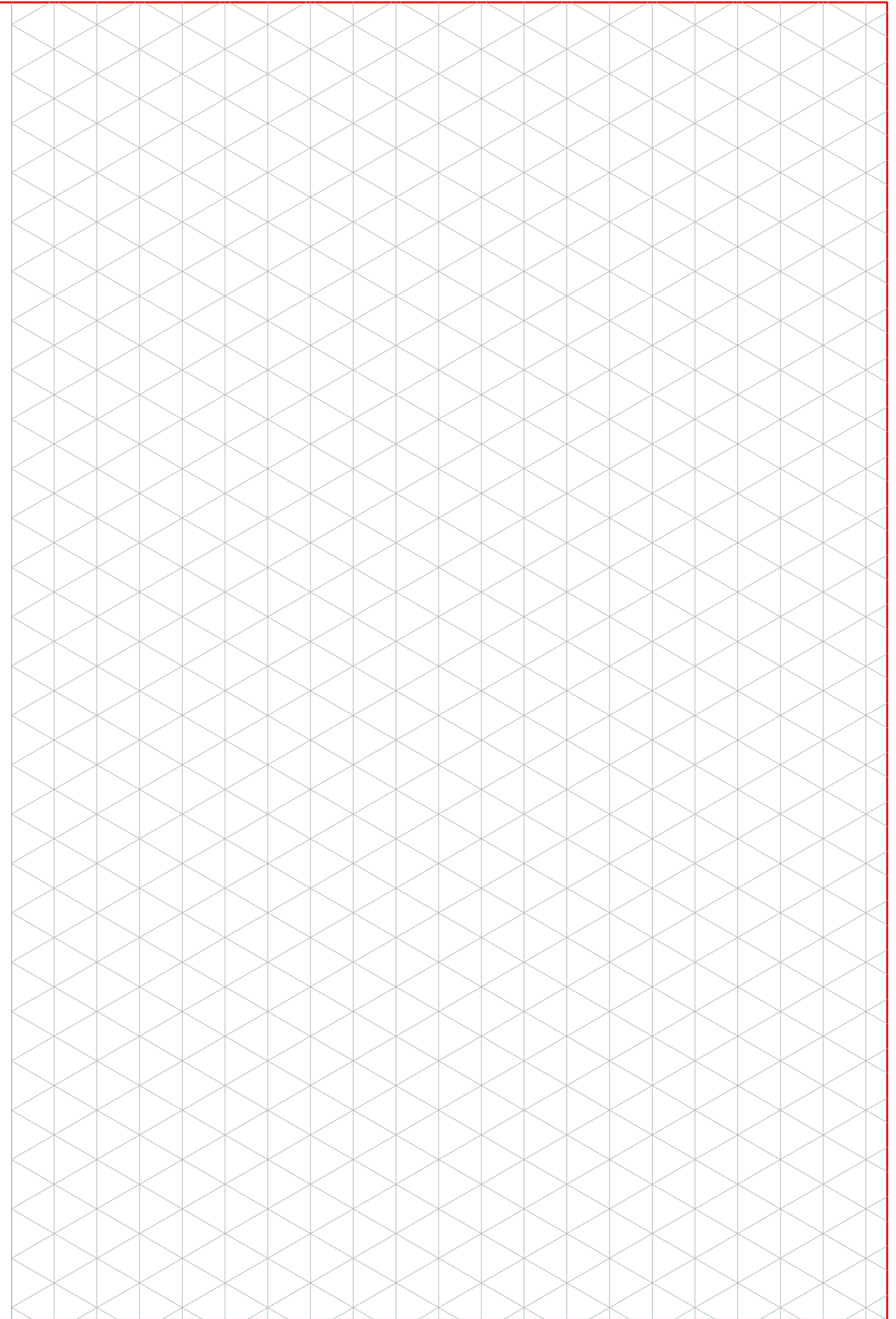
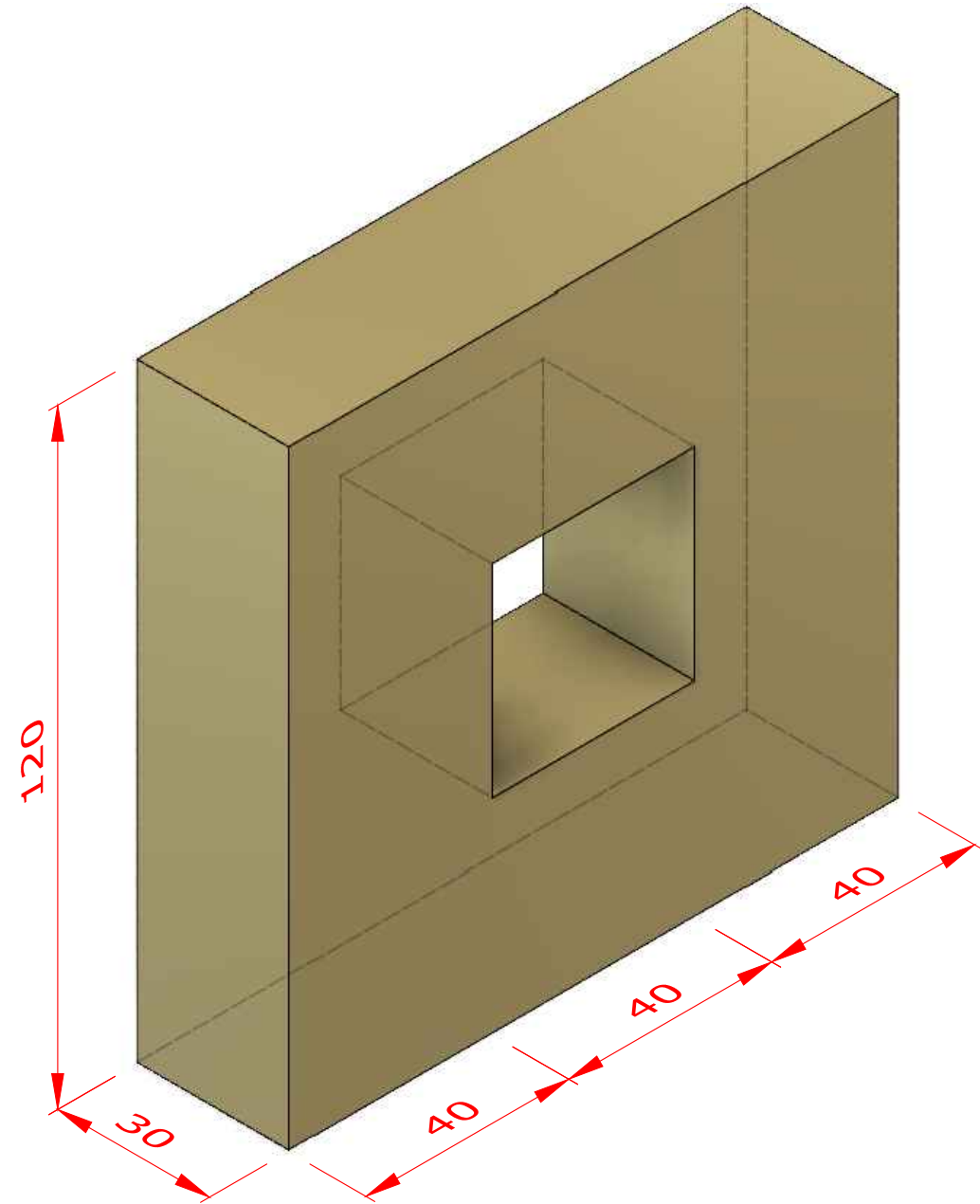
Isometric drawing block 2 - ANSWER

Note: As a general rule, hidden lines do not feature in pictorial views but where these prove so crucial towards the understanding of the geometries of 3D models (Jackson & Coll, 1994, p. 8-15), an exception can be made.



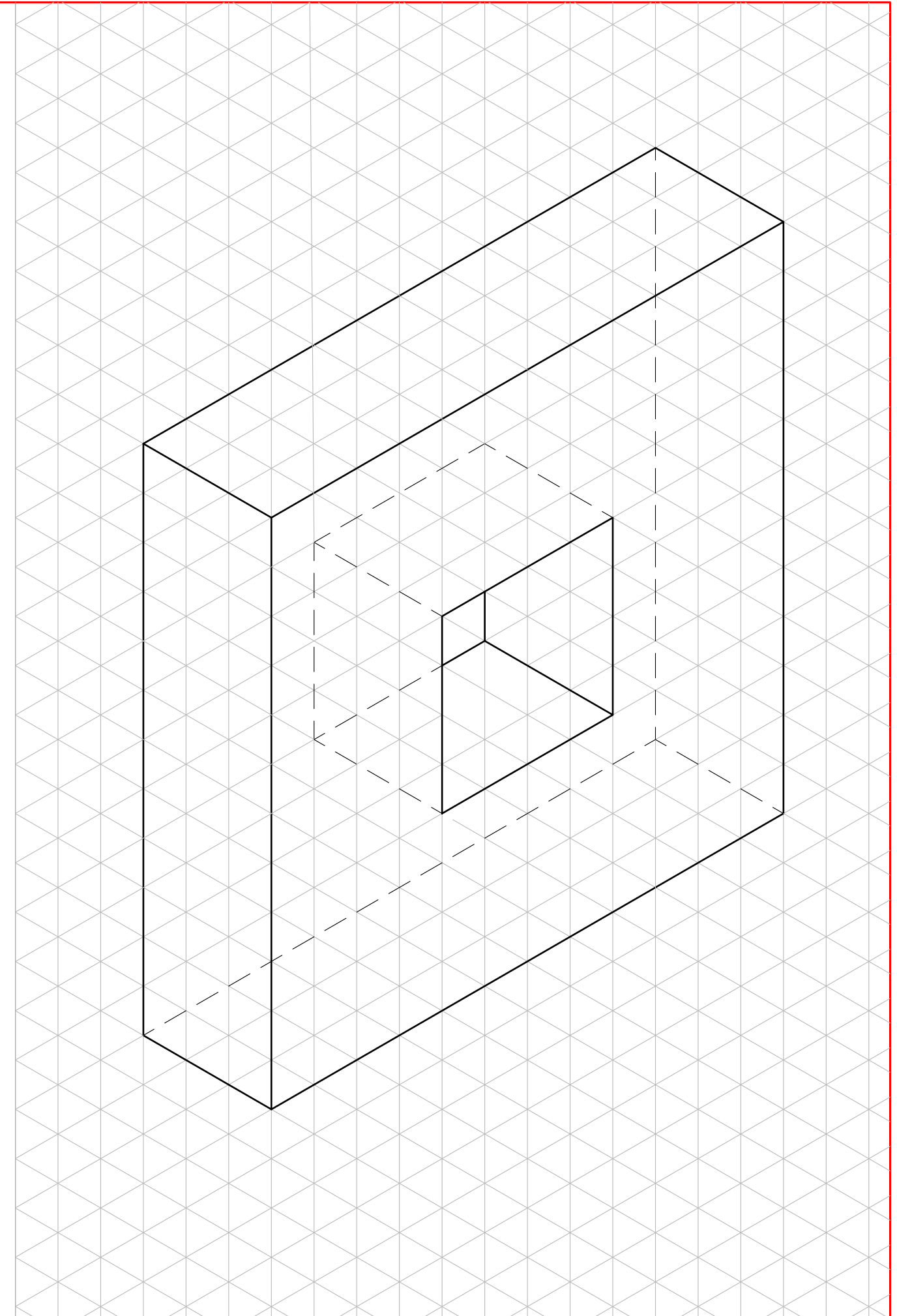
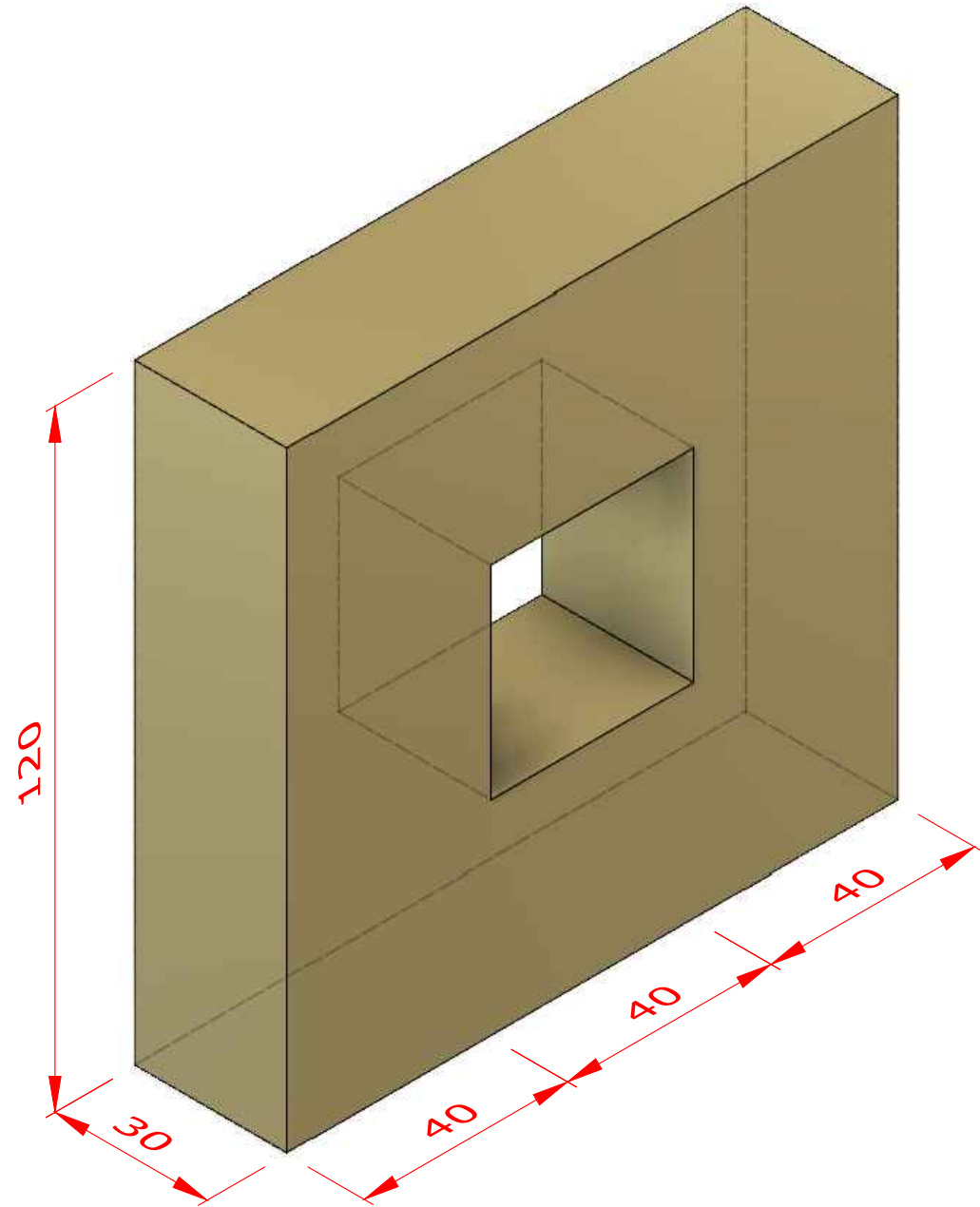
Isometric drawing block 3 - STARTER SHEET

Note: each grid square represents 10mm



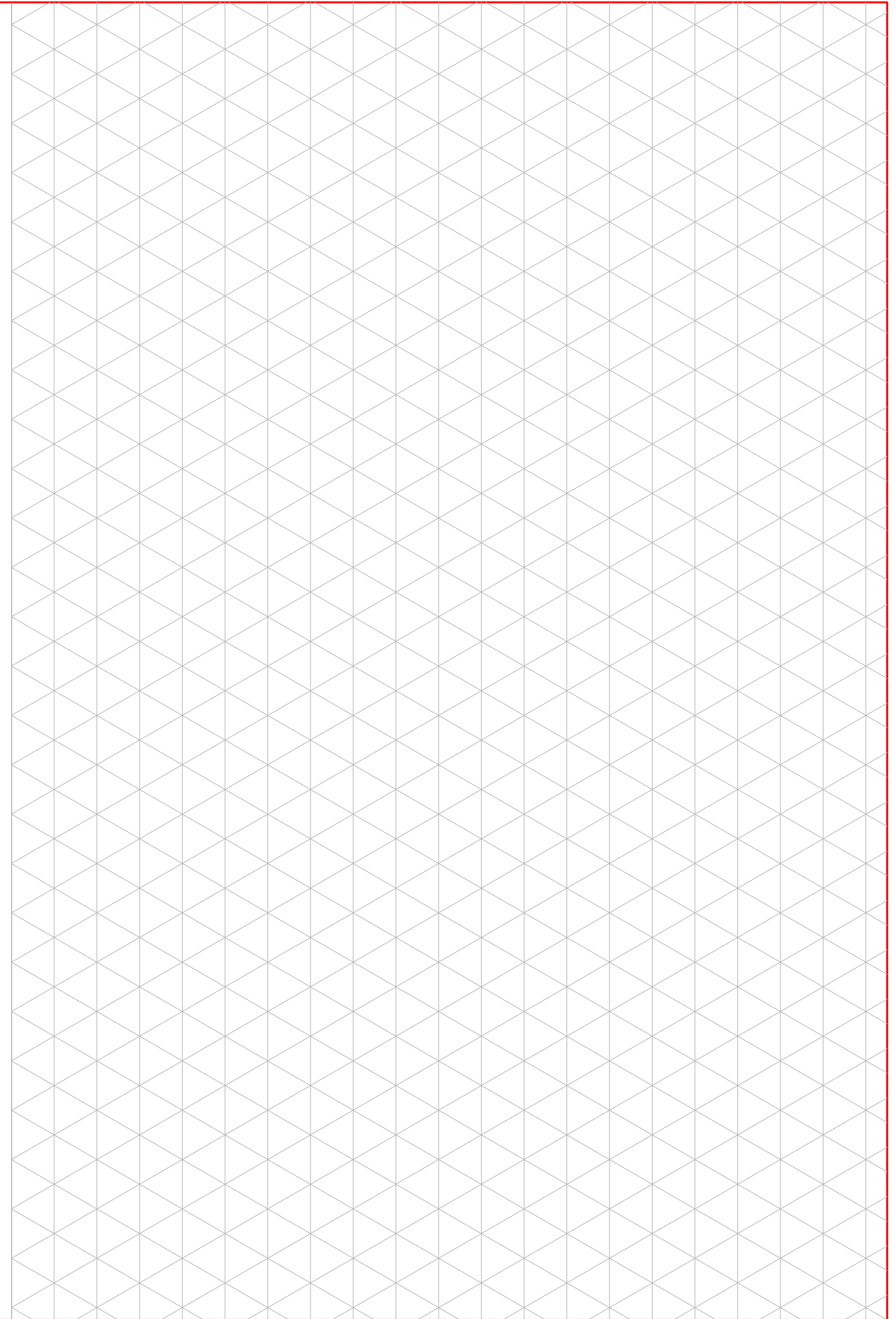
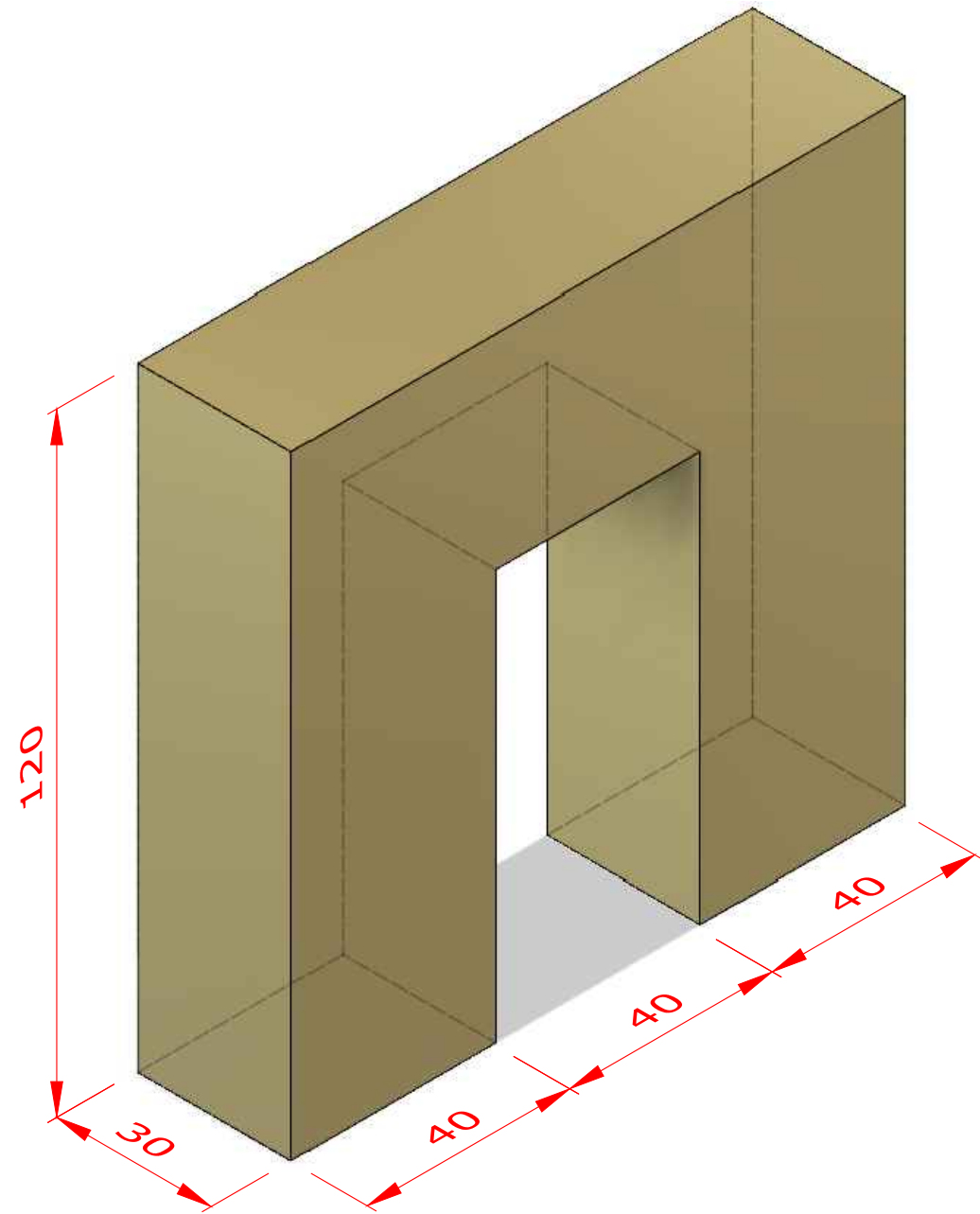
Isometric drawing block 3 - ANSWER

Note: As a general rule, hidden lines do not feature in pictorial views but where these prove so crucial towards the understanding of the geometries of 3D models (Jackson & Coll, 1994, p. 8-15), an exception can be made.



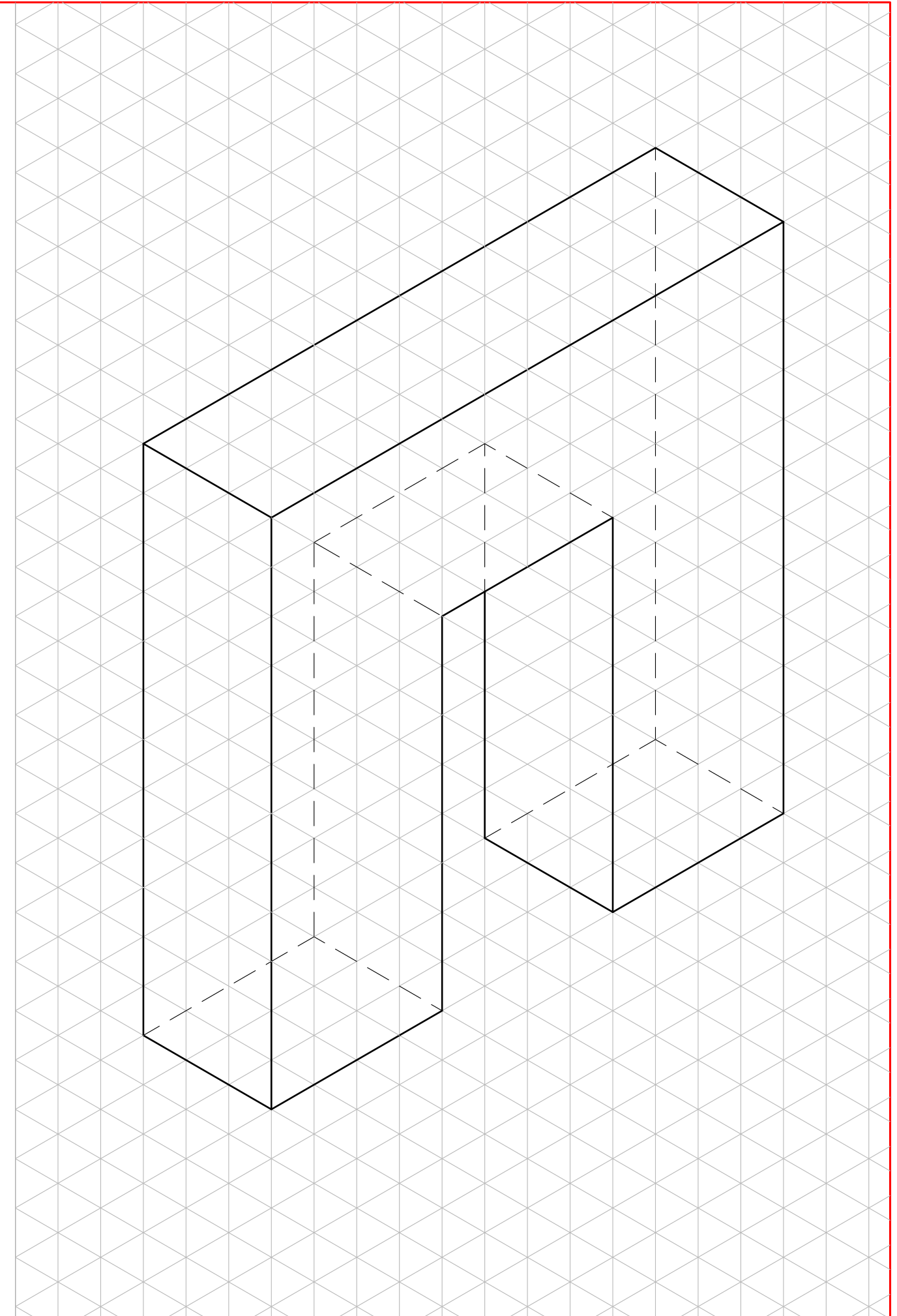
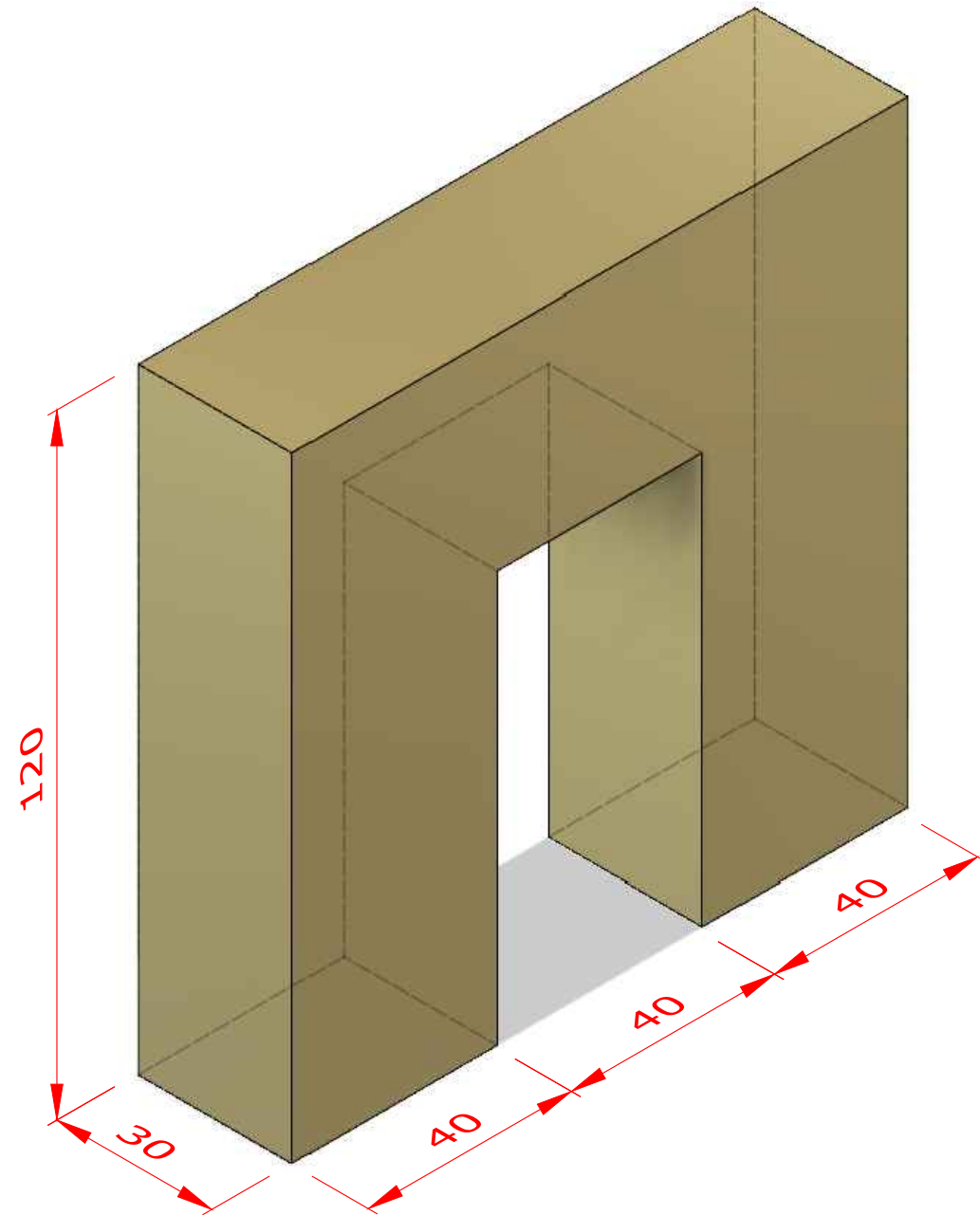
Isometric drawing block 4 - STARTER SHEET

Note: each grid square represents 10mm



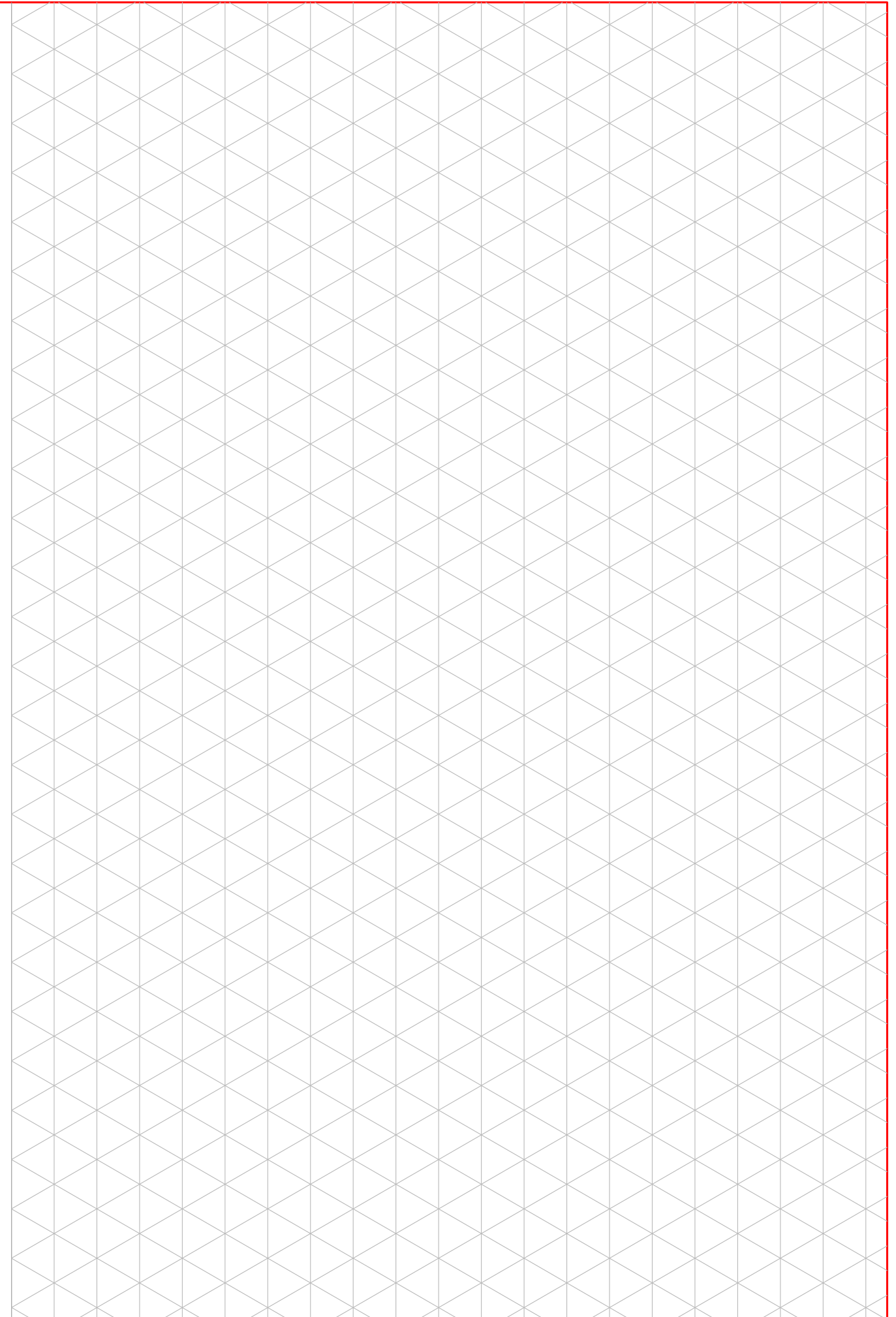
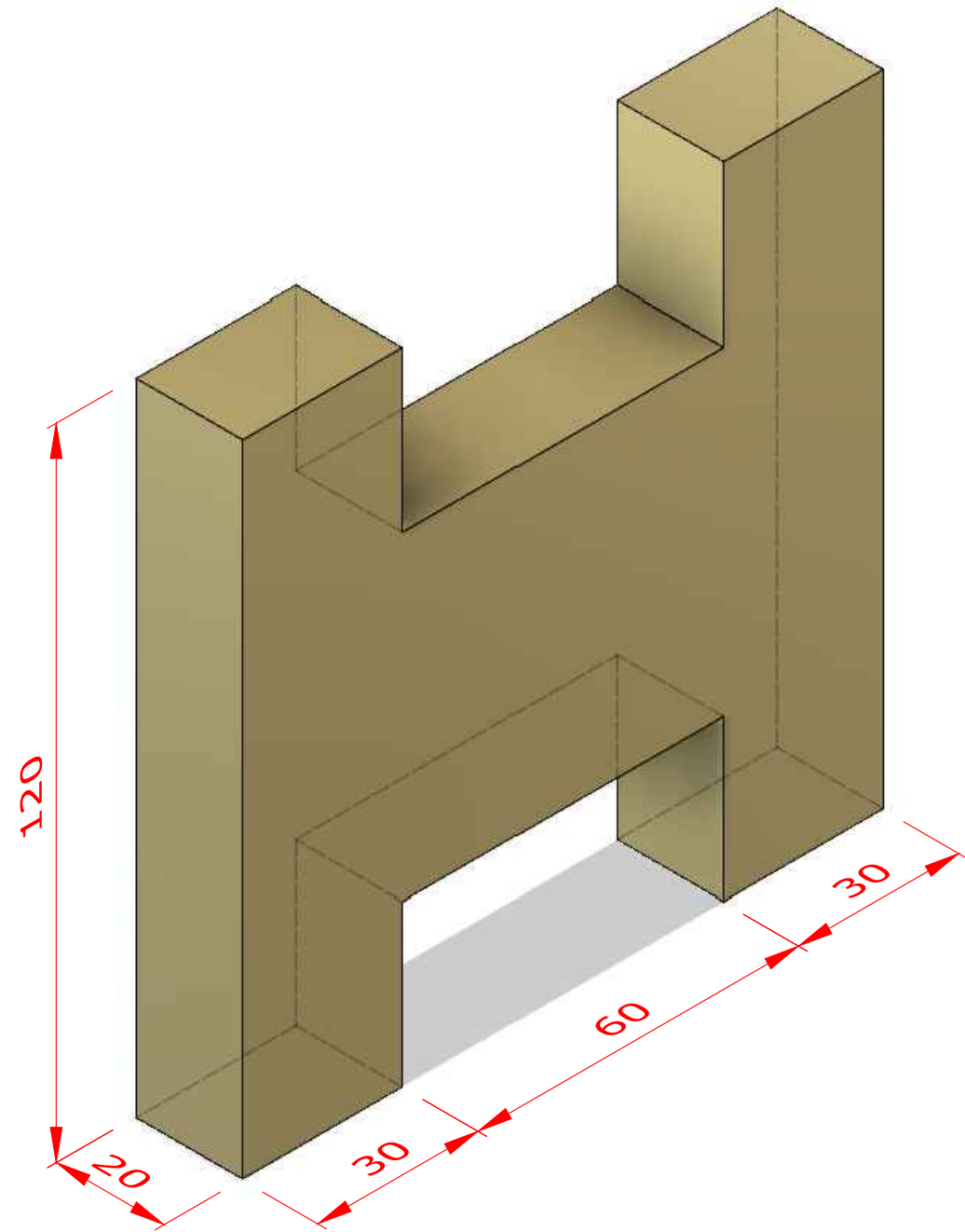
Isometric drawing block 4 - ANSWER

Note: As a general rule, hidden lines do not feature in pictorial views but where these prove so crucial towards the understanding of the geometries of 3D models (Jackson & Coll, 1994, p. 8-15), an exception can be made.



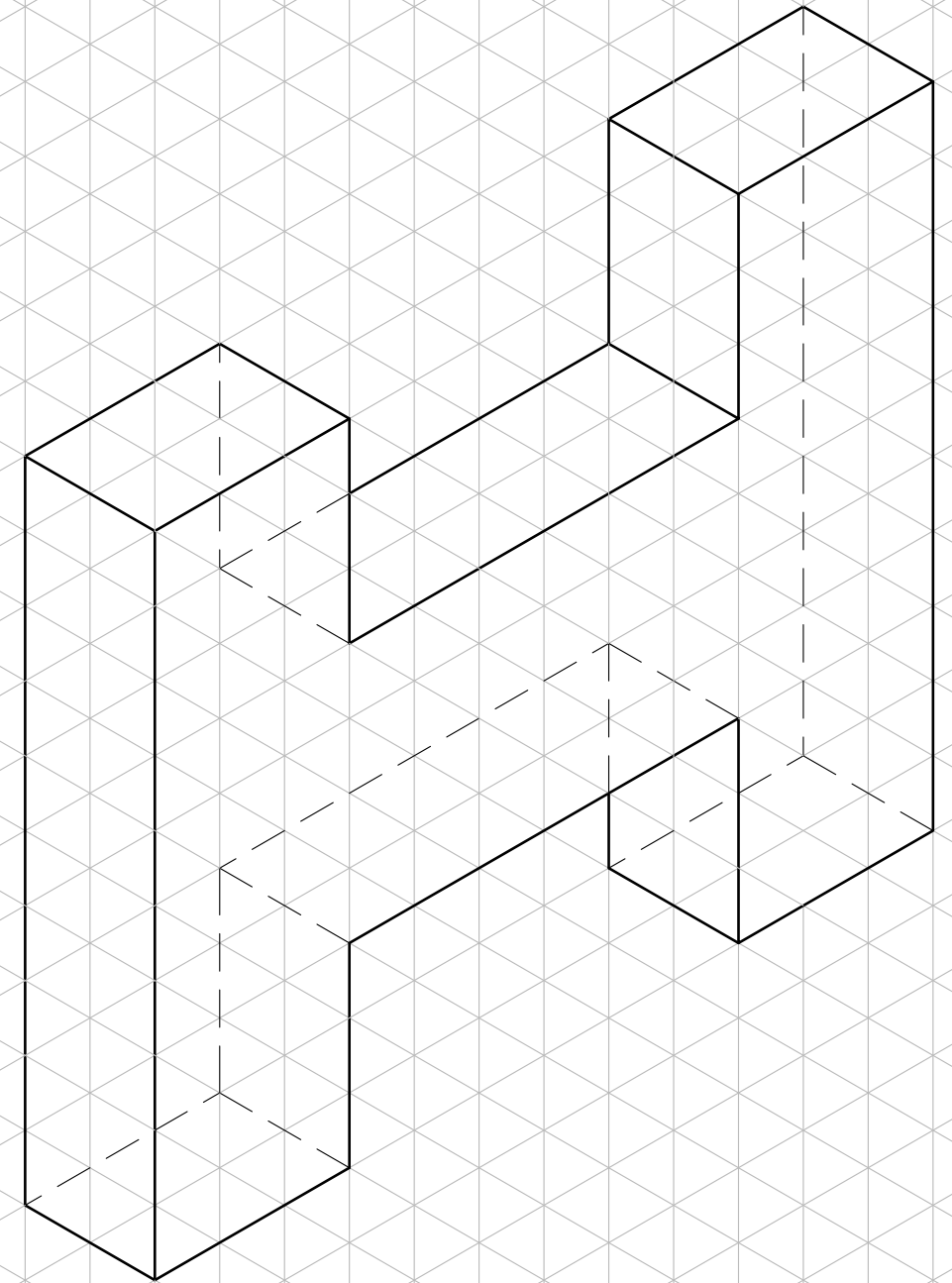
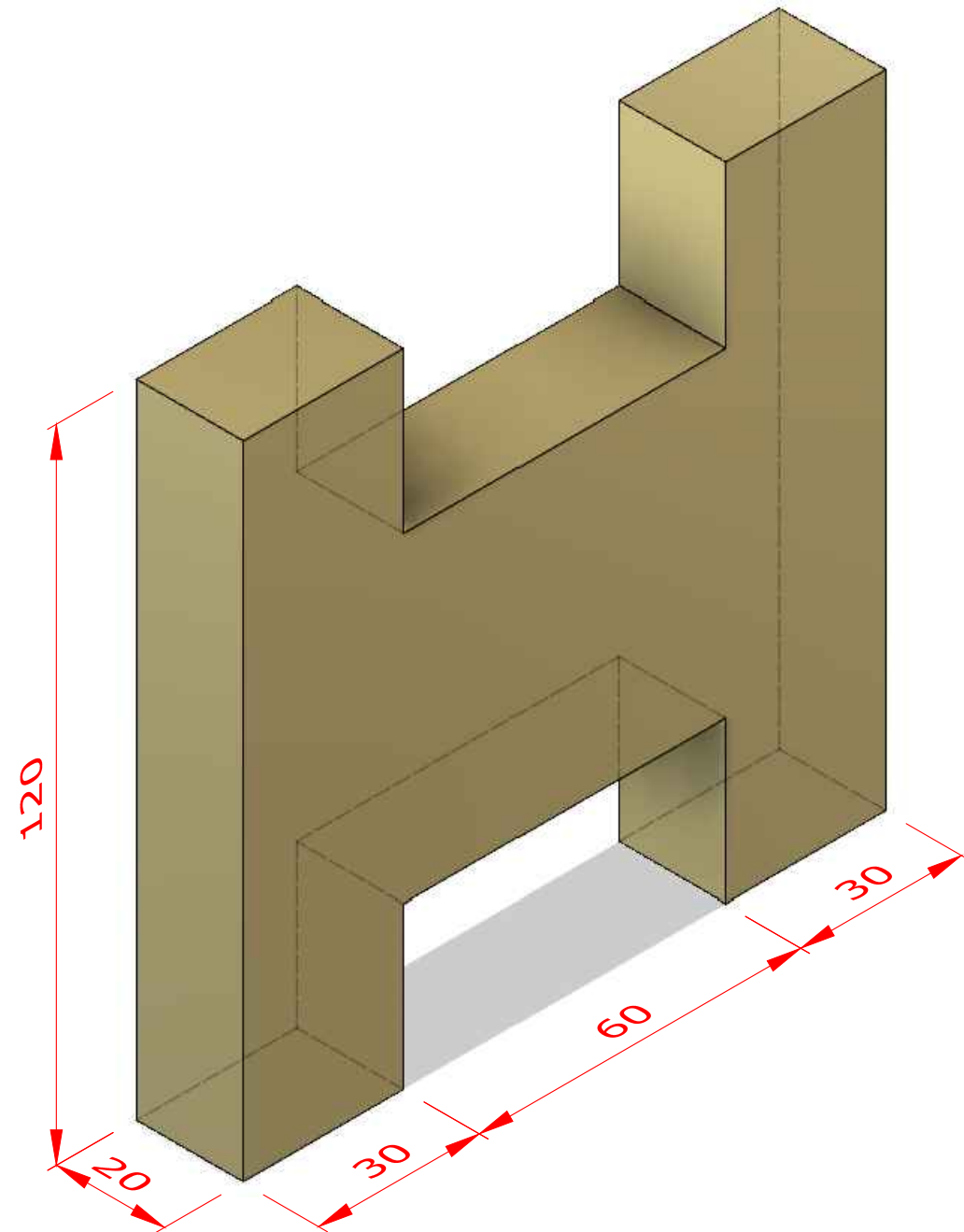
Isometric drawing block 5 - STARTER SHEET

Note: each grid square represents 10mm



Isometric drawing block 5 - ANSWER

Note: As a general rule, hidden lines do not feature in pictorial views but where these prove so crucial towards the understanding of the geometries of 3D models (Jackson & Coll, 1994, p. 8-15), an exception can be made.



Isometric drawing - BLANK SHEET

Note: each grid square represents 10mm

