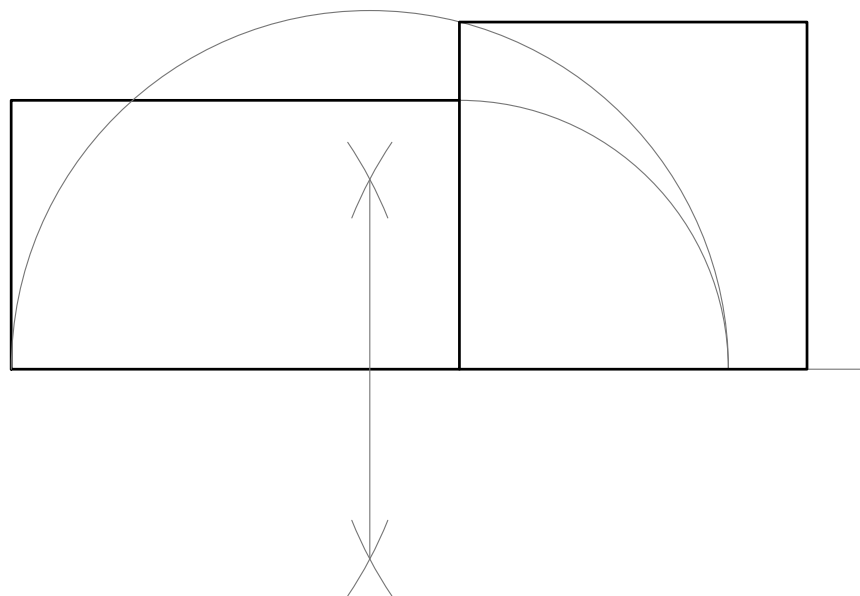
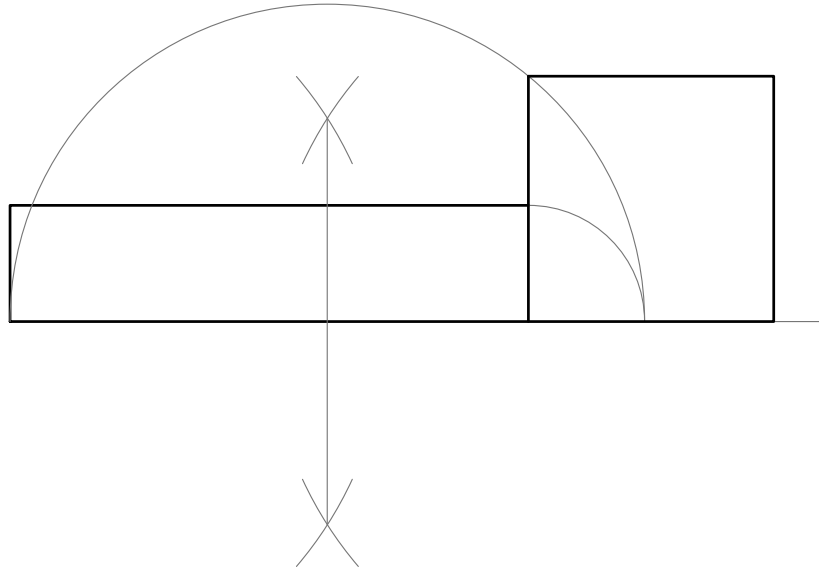


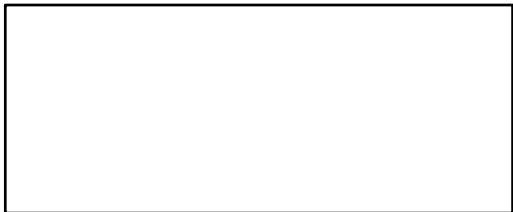
## Conversion of rectangles into squares of the same area.

In these exercises we will convert various rectangles into squares of the same area.

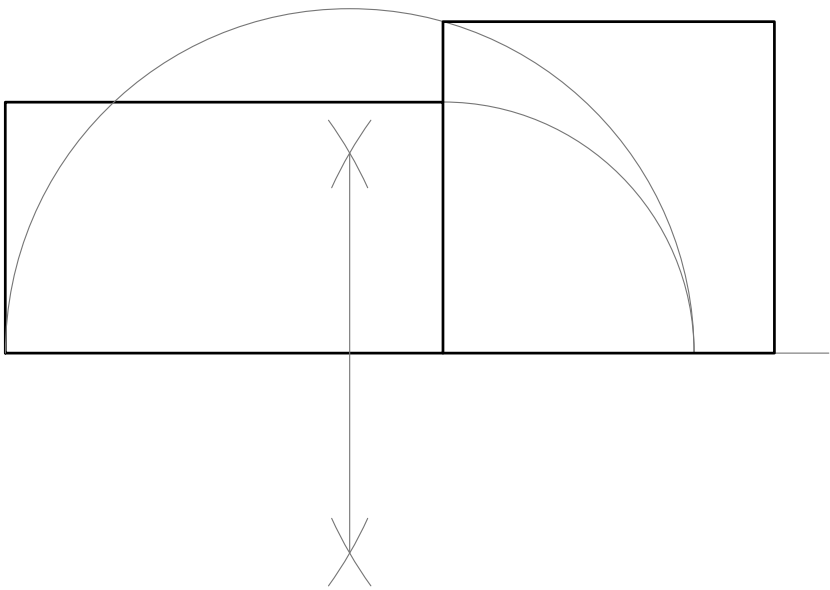
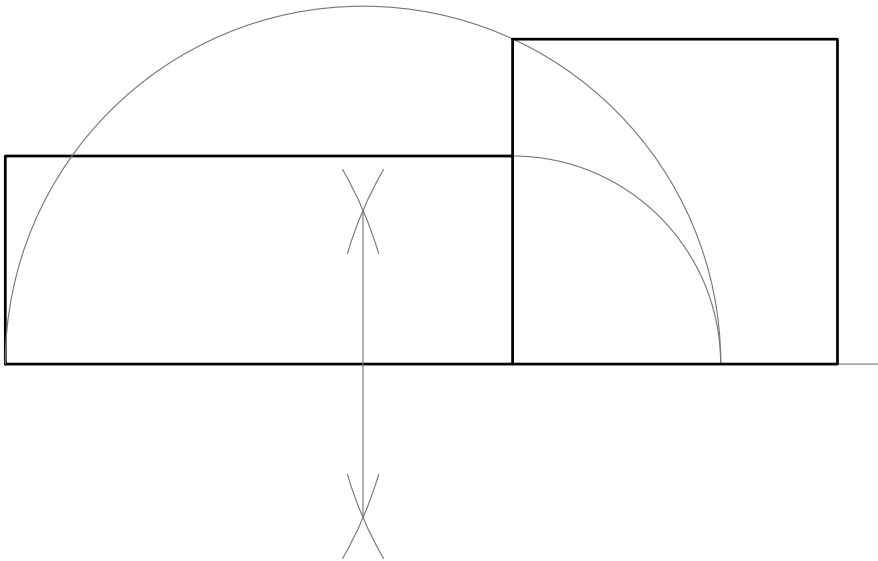


You can visit: <https://youtu.be/f4oe9YL0Zeg> for a step by step video of the construction method.

# Converting a rectangle to a square of the same area 1 - STARTER SHEET



# Converting a rectangle to a square of the same area 1 - ANSWER SHEET



**Converting a rectangle to a square of the same area 2 - STARTER SHEET**



# Converting a rectangle to a square of the same area 2 - ANSWER SHEET

