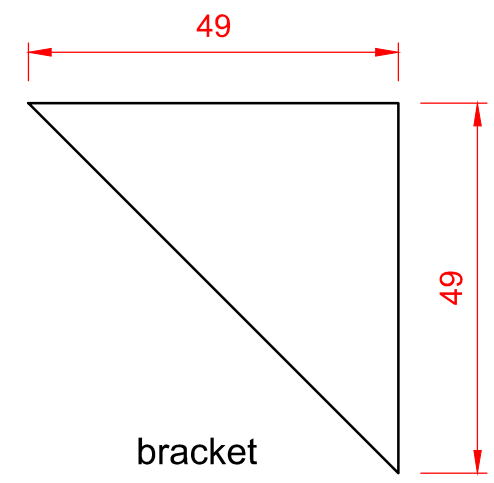
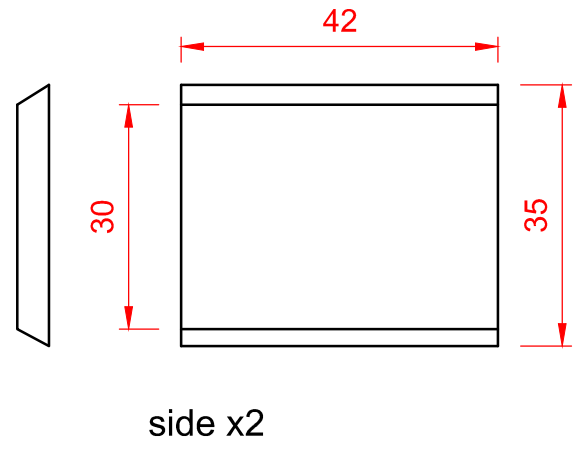
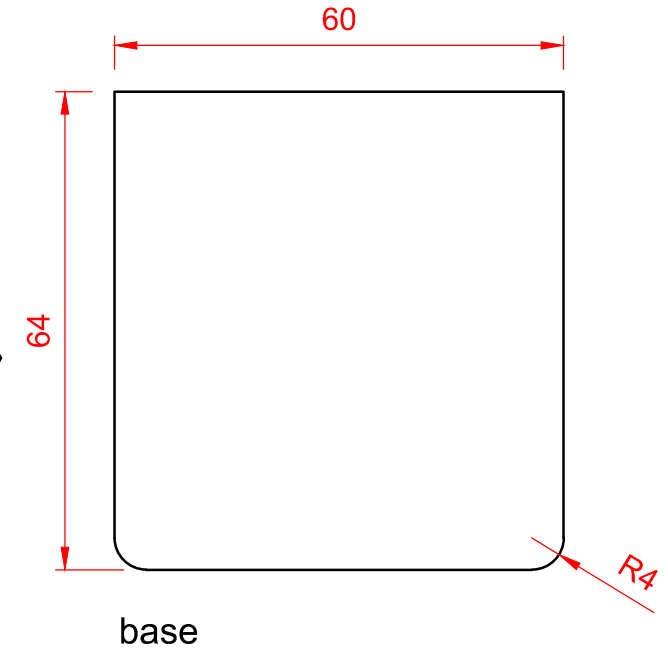
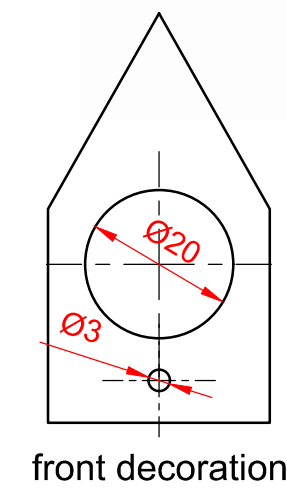
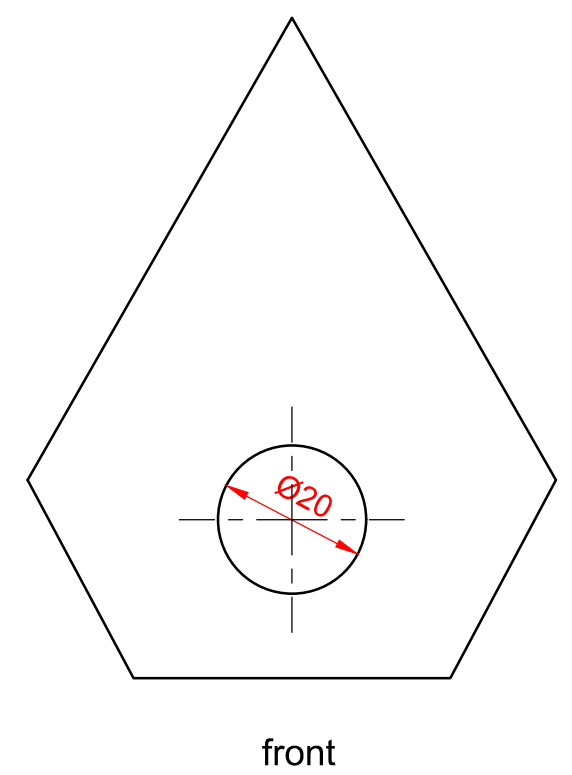
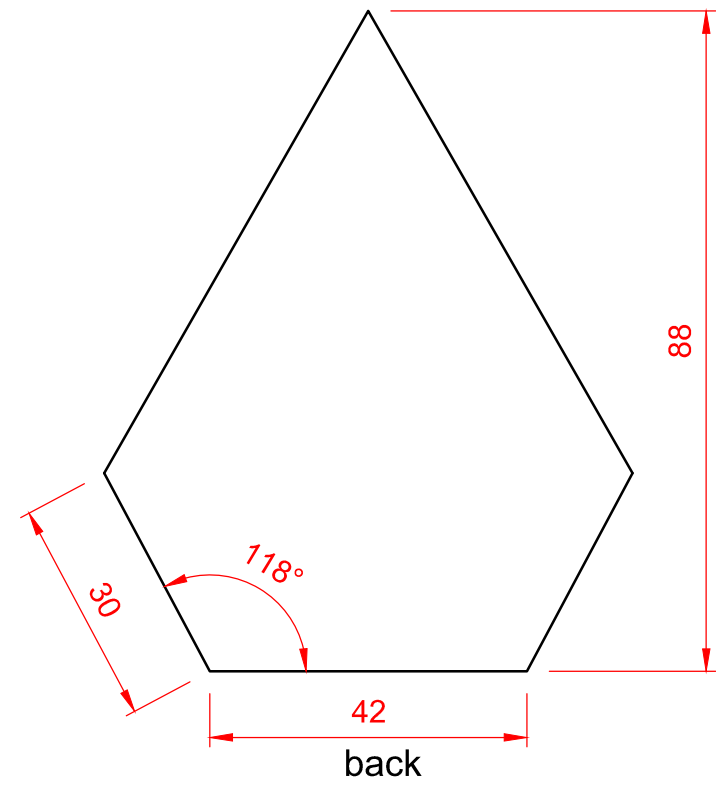
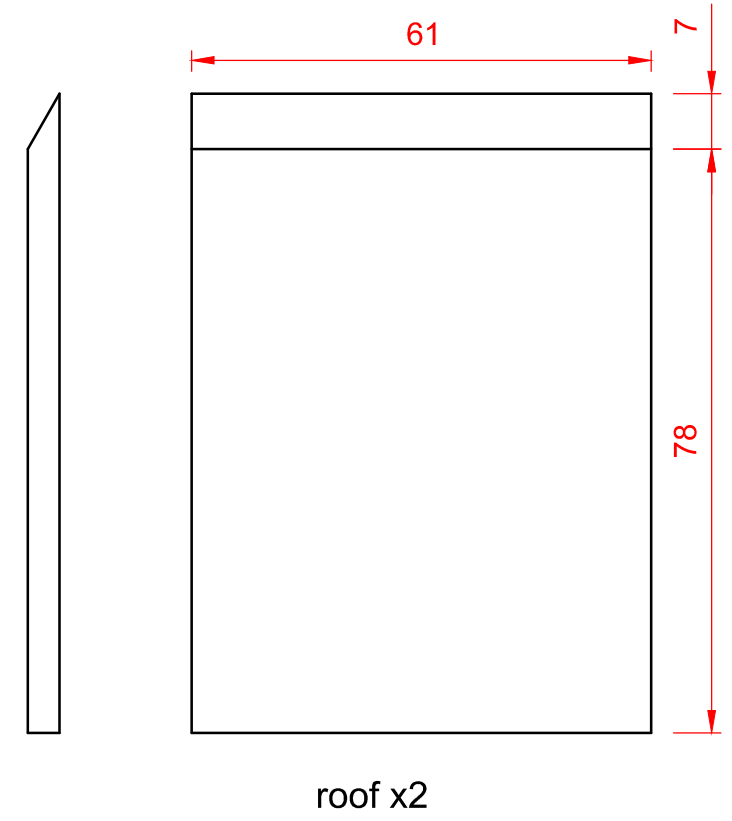
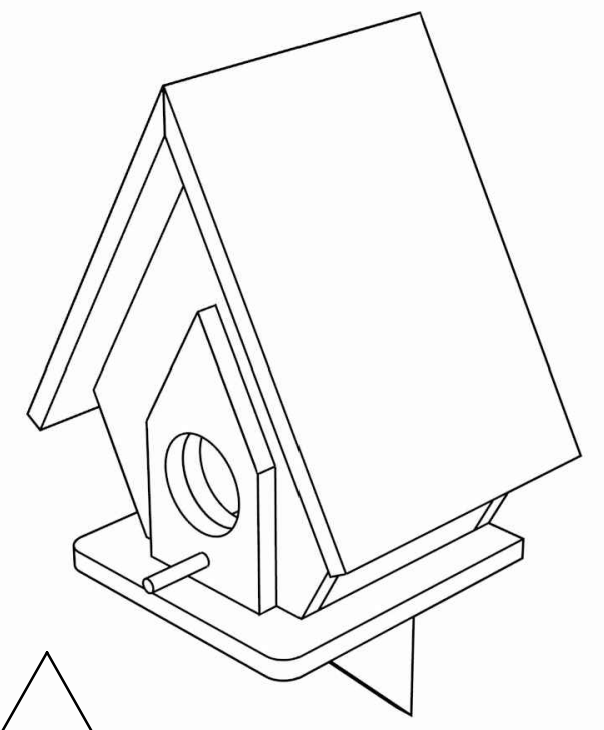
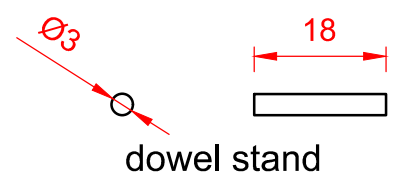


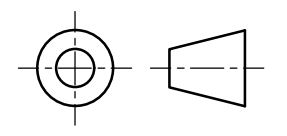
Assembly drawing 5 - BILL OF MATERIALS



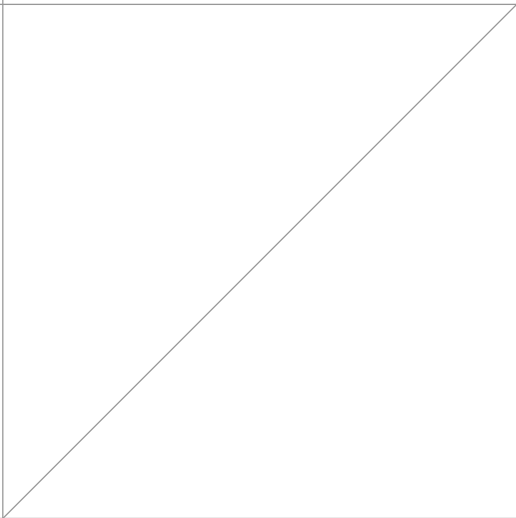
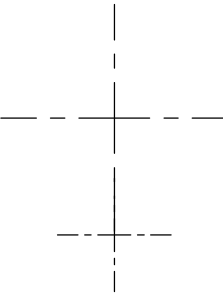

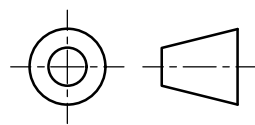
Note: Material Thickness 5 mm



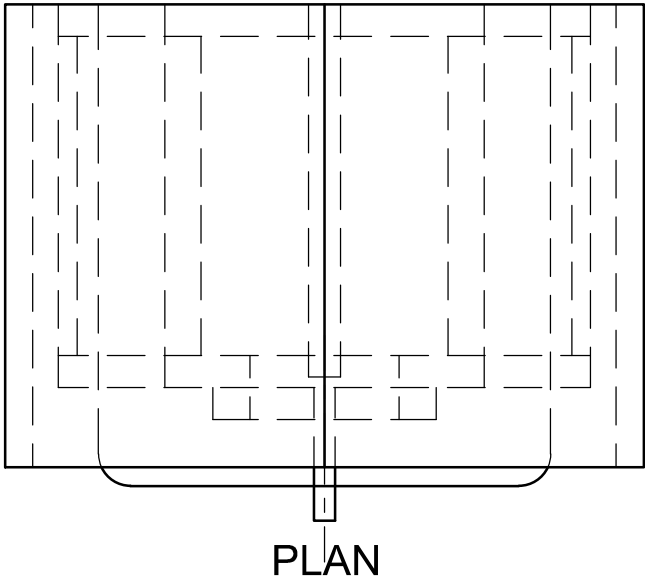
To help you visualize the object better you can visit:
<https://youtu.be/pvtaigXa3t8> for the video.



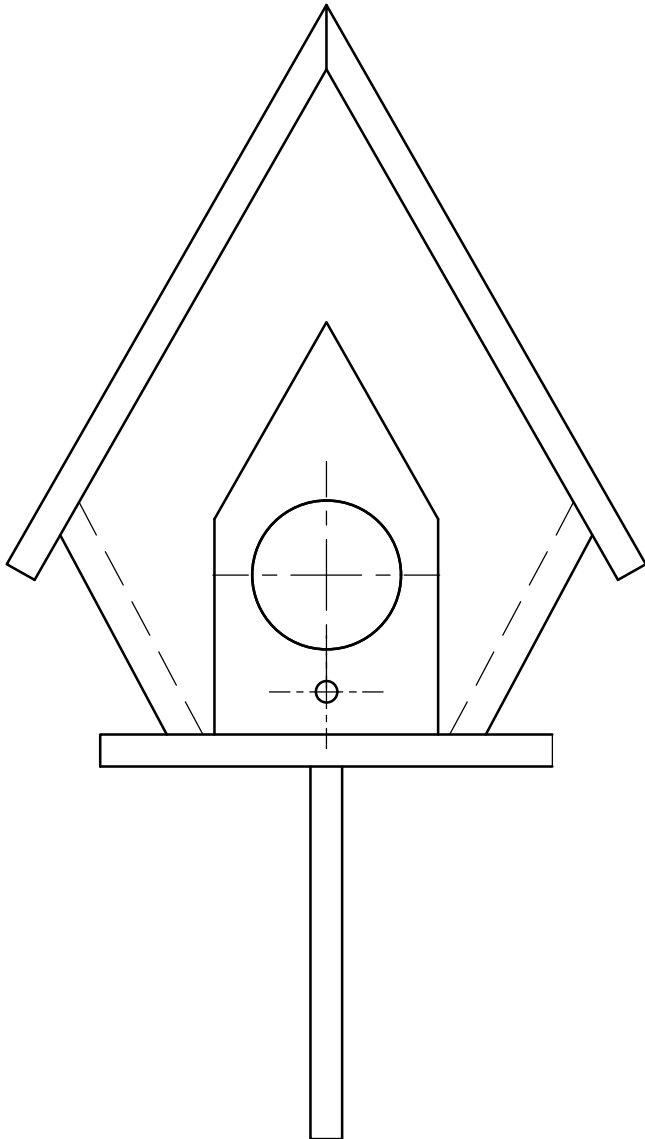
Assembly drawing 5 - STARTER SHEET

				
	<p>PLAN</p>			
				
	<p>FRONT VIEW</p>		<p>END VIEW</p>	

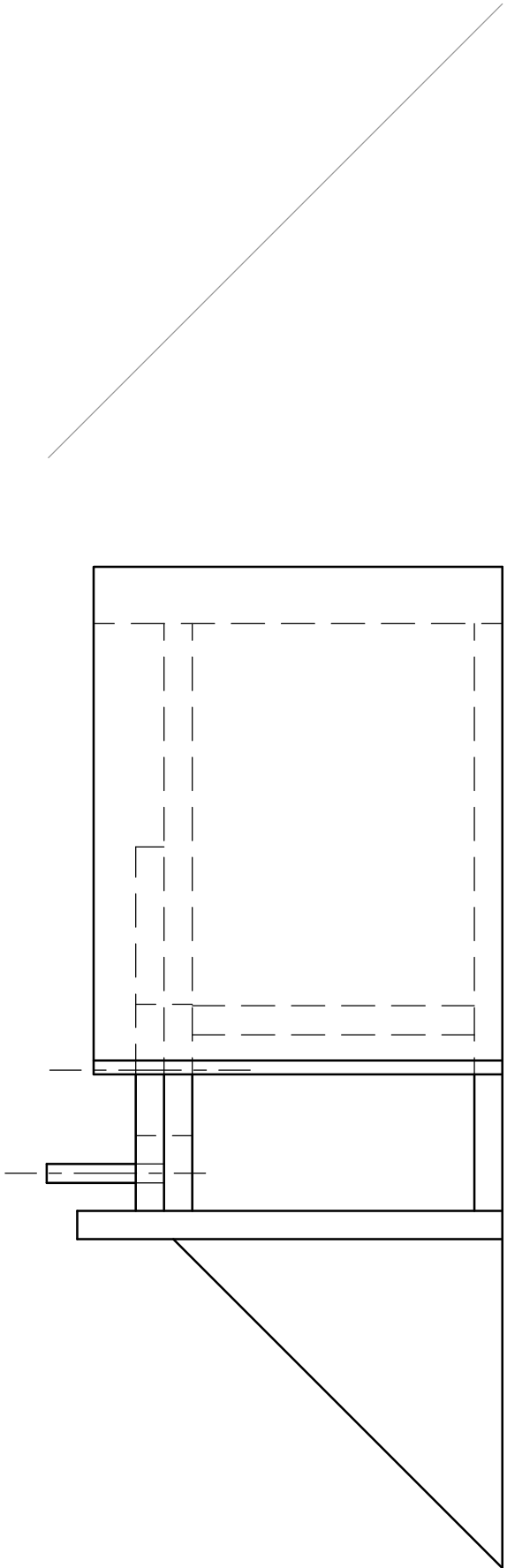
Assembly drawing 5 - ANSWER



PLAN



FRONT VIEW



END VIEW

