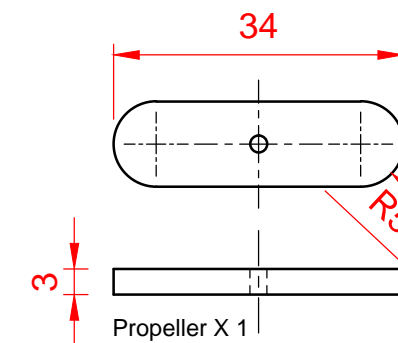
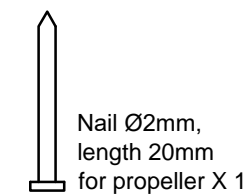
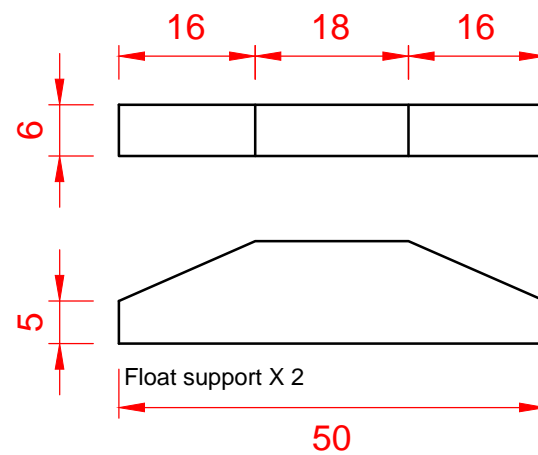
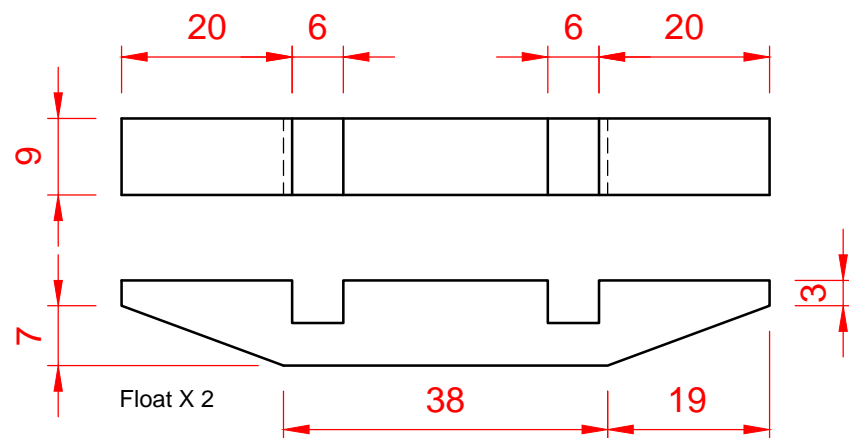
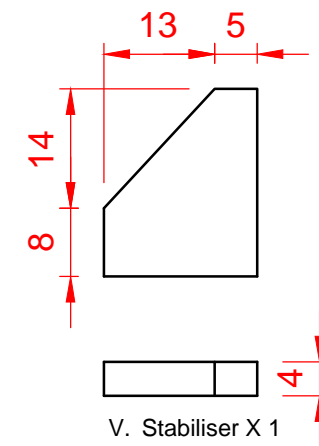
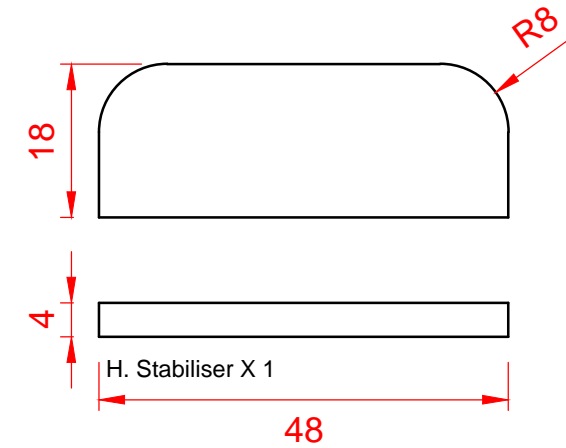
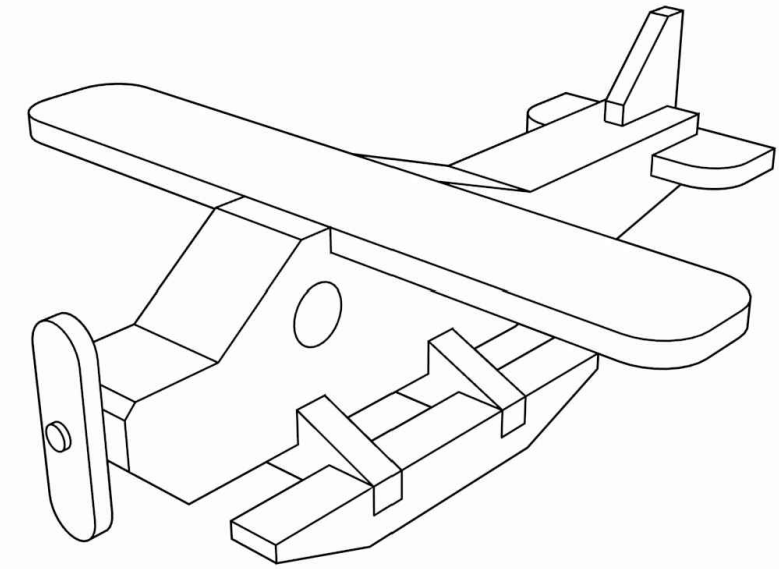
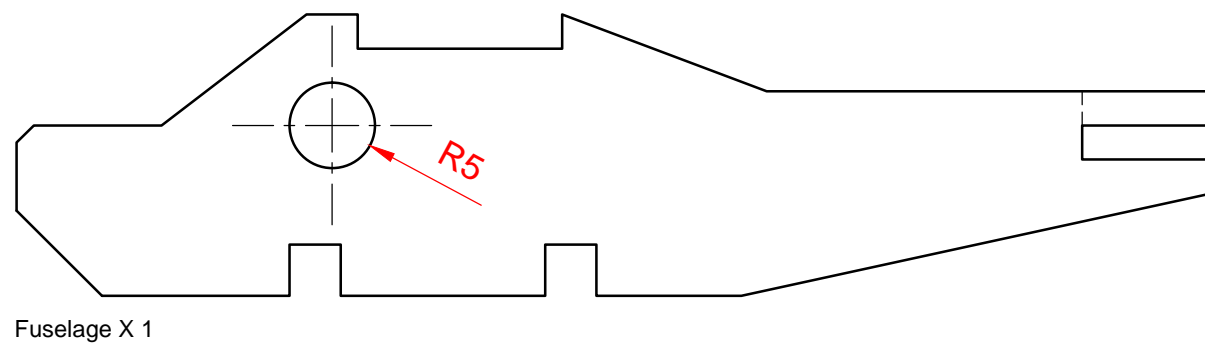
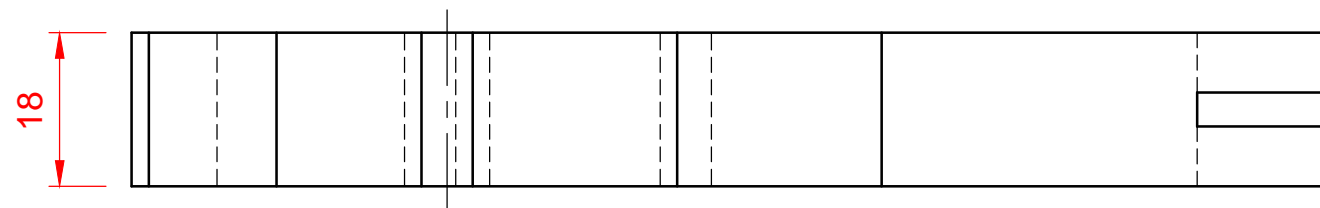
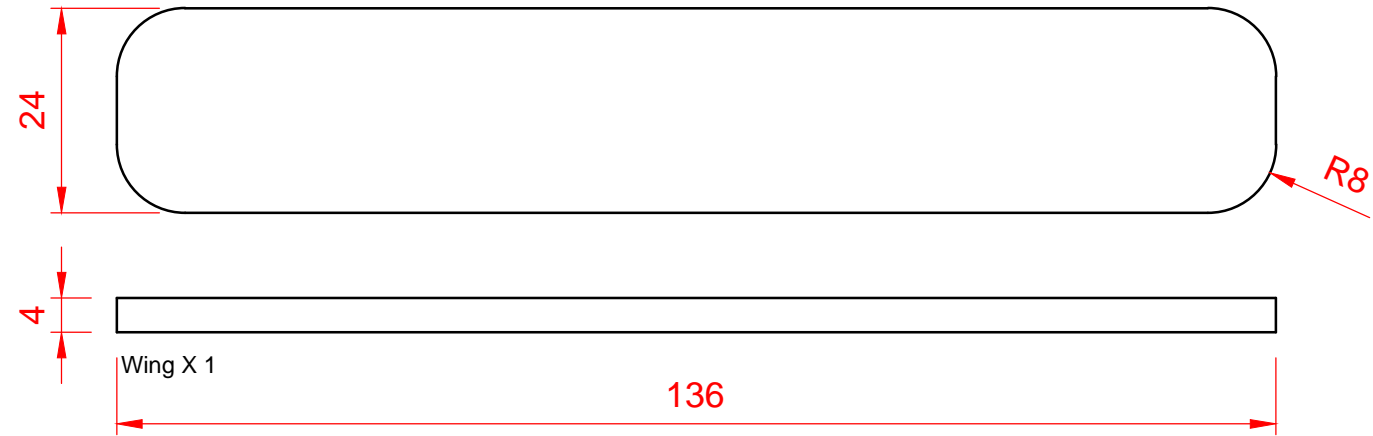
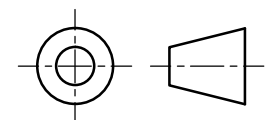


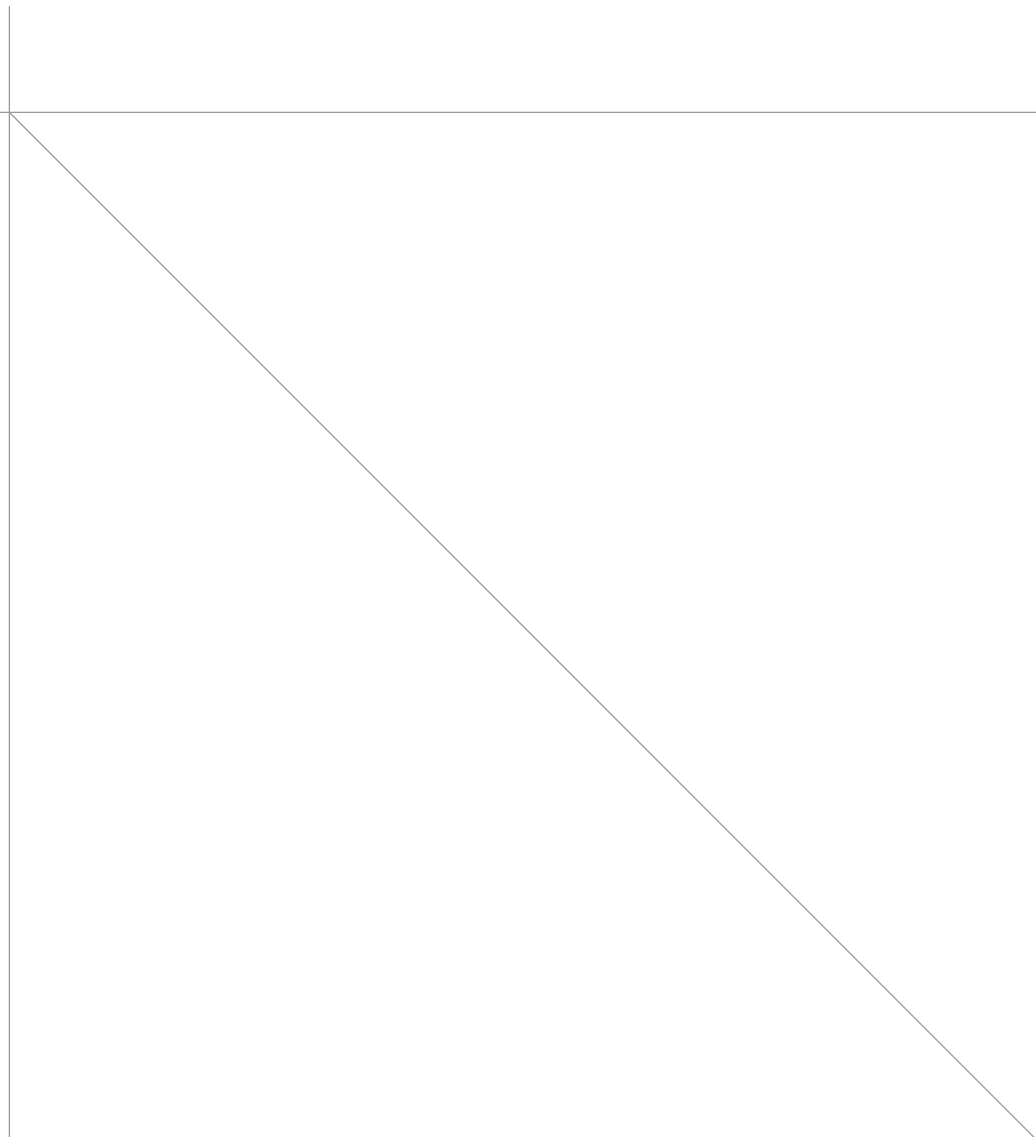
Assembly drawing 4 - BILL OF MATERIALS



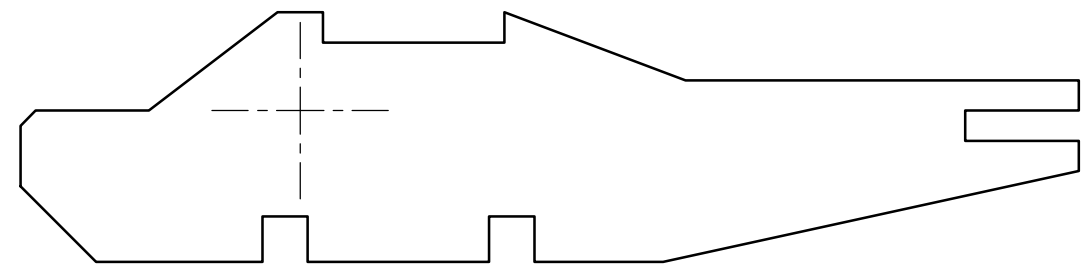
To help you visualize the object better you can visit:
<https://youtu.be/yU6ePPy3yks> for the video.



Assembly drawing 4 - STARTER SHEET

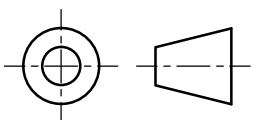


PLAN

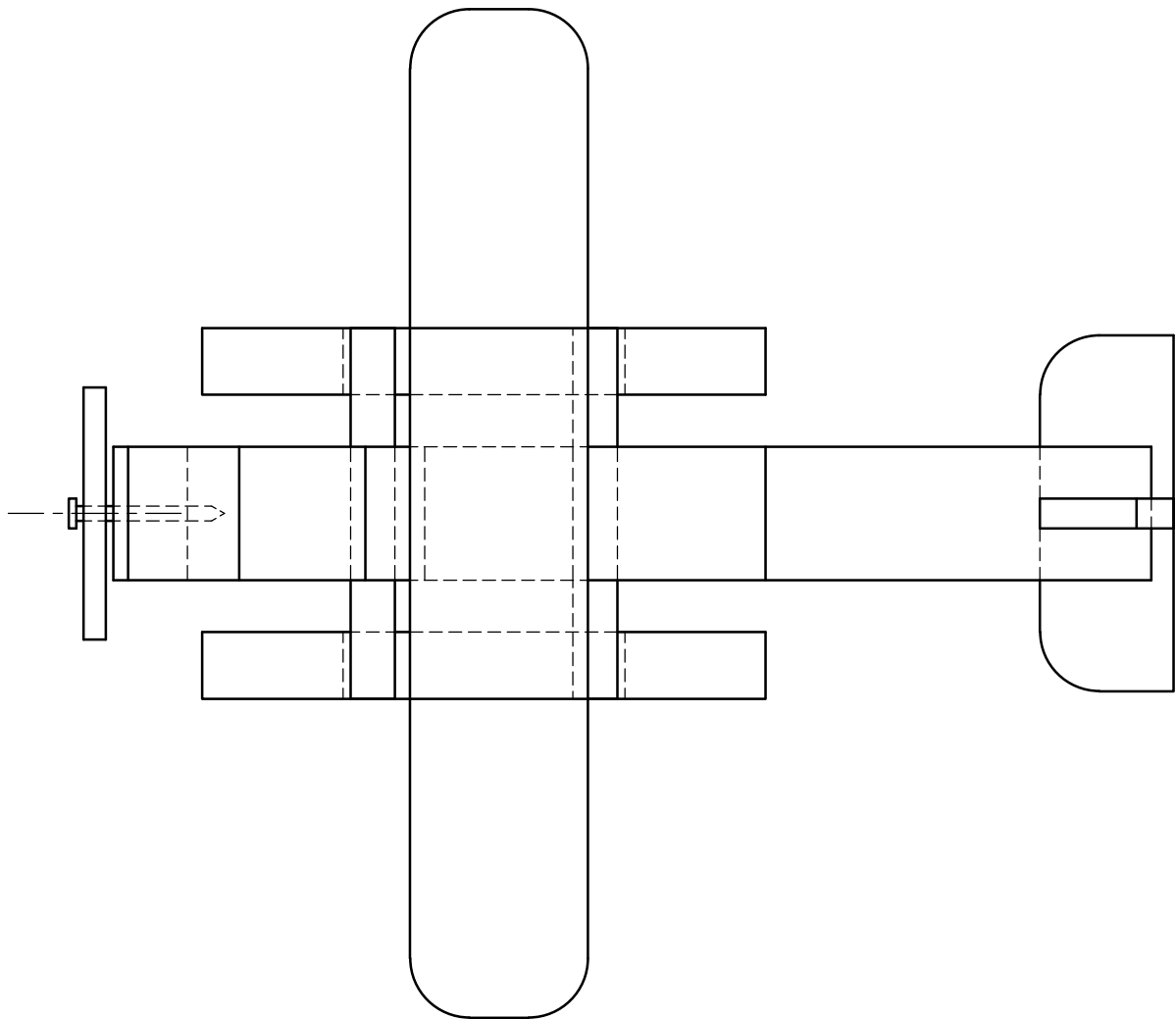
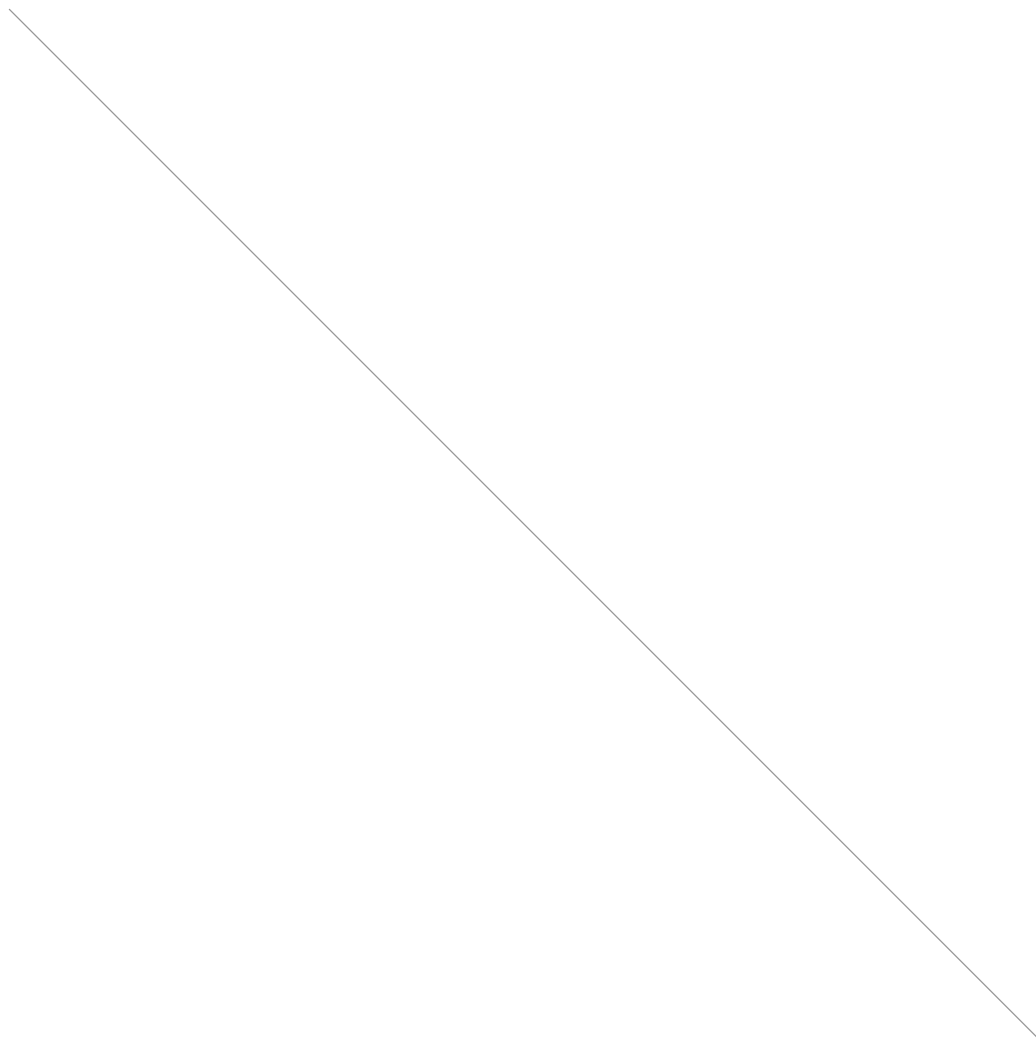


END VIEW

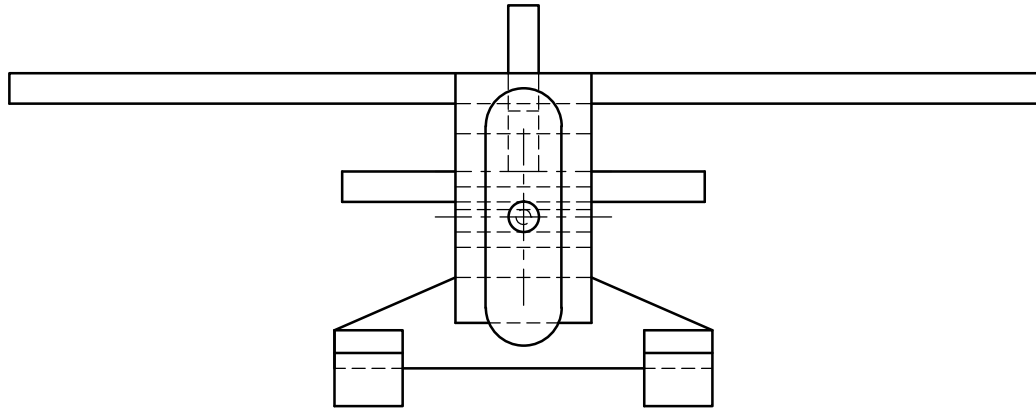
FRONT VIEW



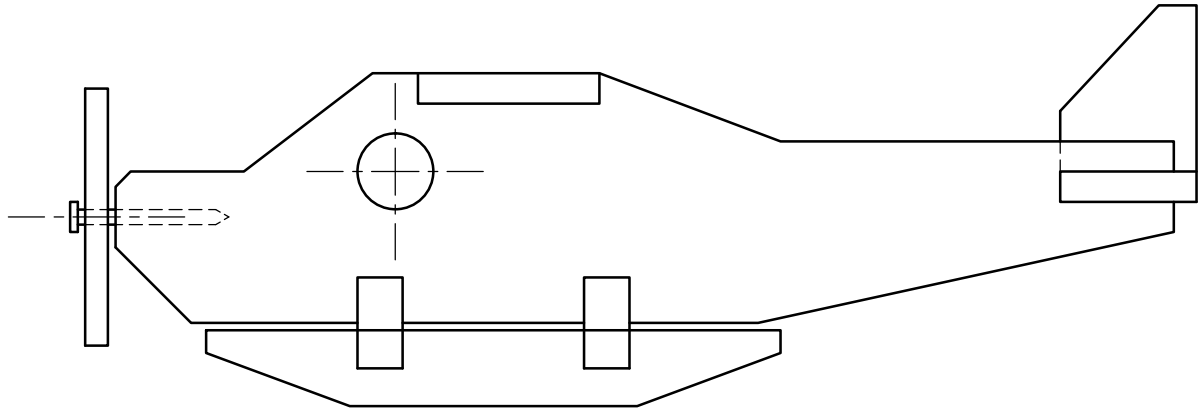
Assembly drawing 4 - ANSWER



PLAN



END VIEW



FRONT VIEW

