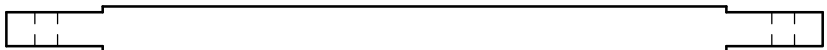
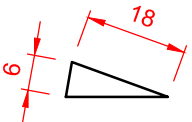
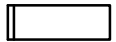


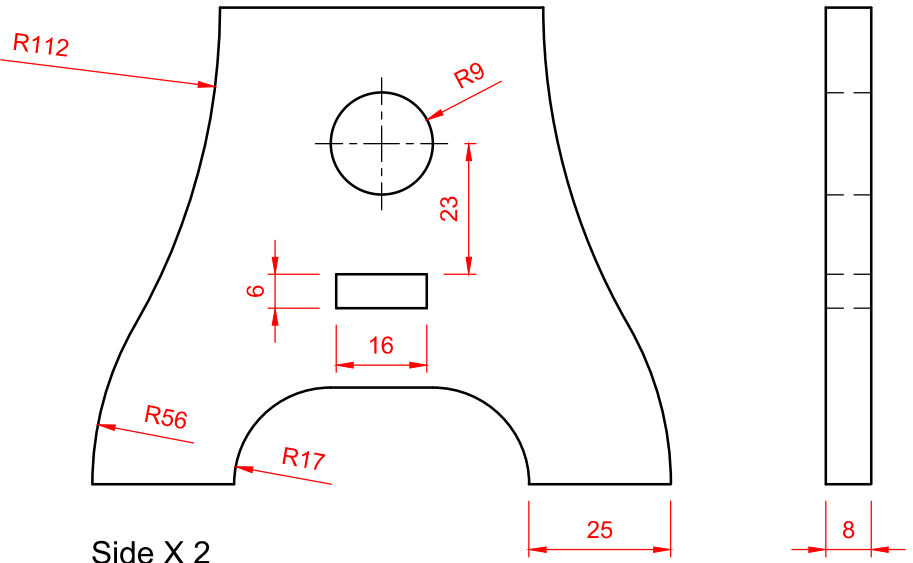
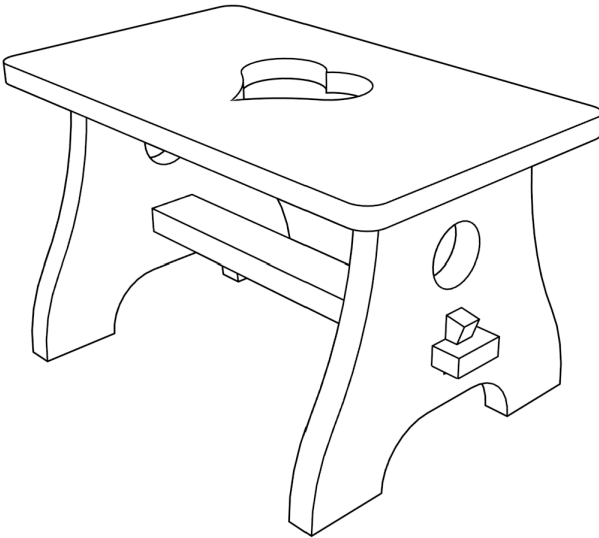
Assembly drawing 2 - BILL OF MATERIALS



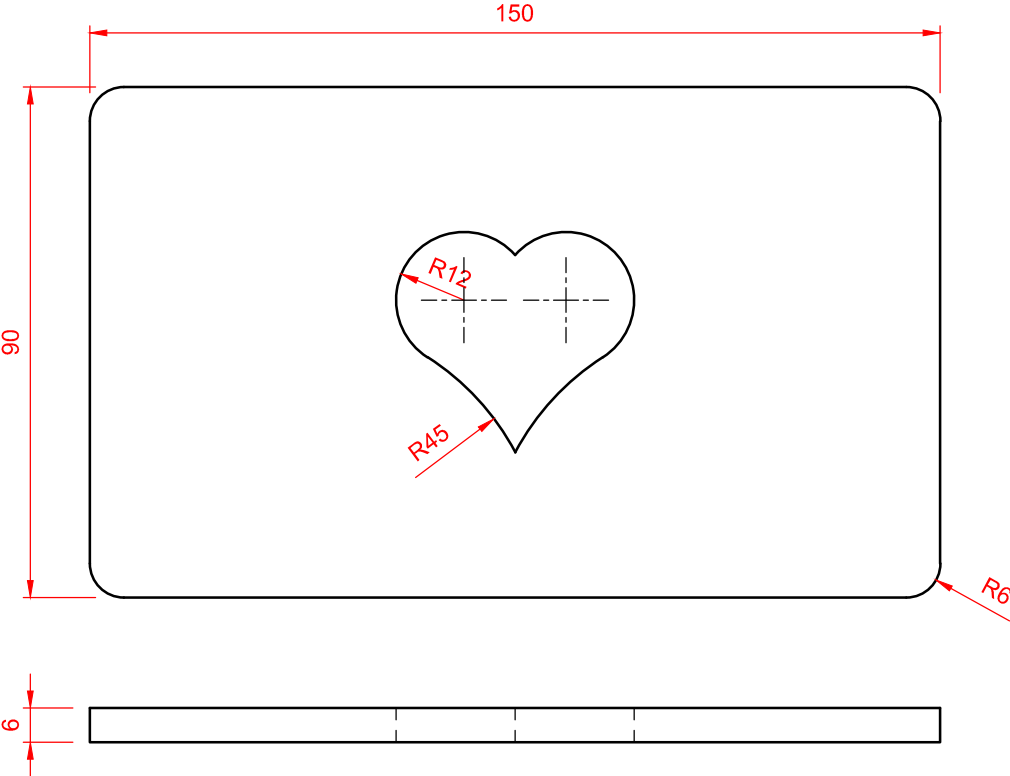
Support strip X 1



Wedge X 1

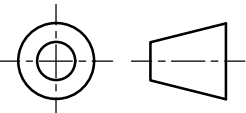


Side X 2

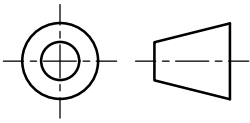
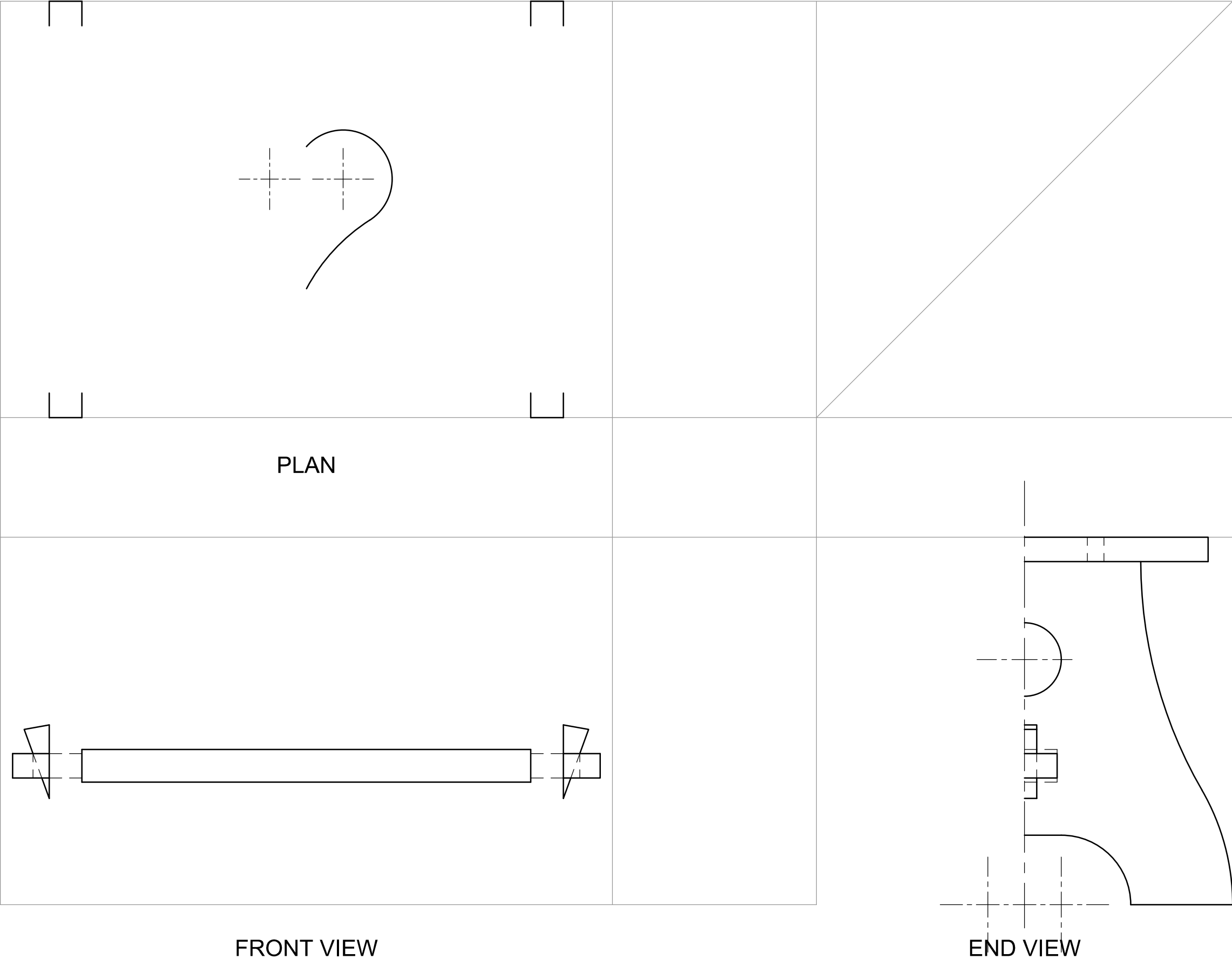


Top lid X 1

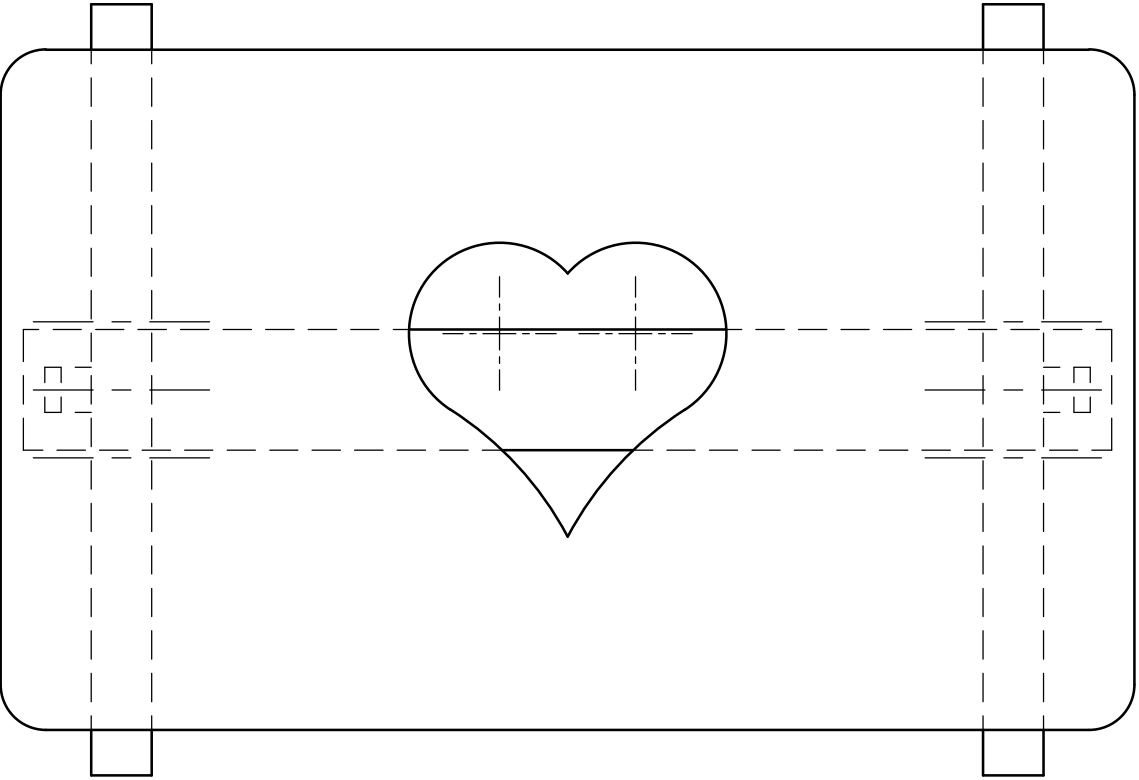
To help you visualize the object better you can visit:
<https://youtu.be/XkXZaa8UZZs> for the video.



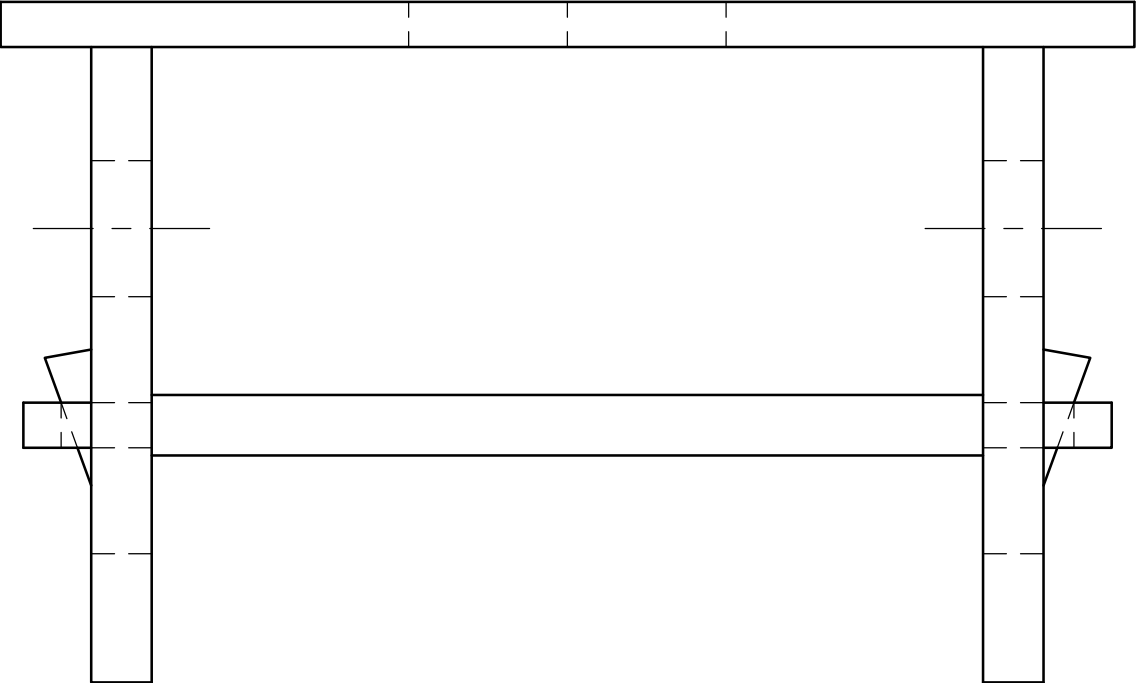
Assembly drawing 2 - STARTER SHEET



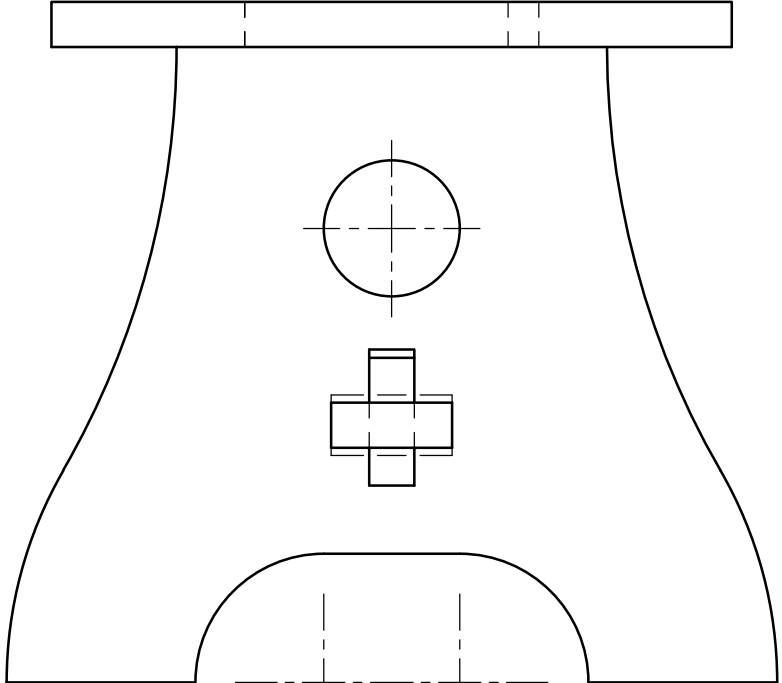
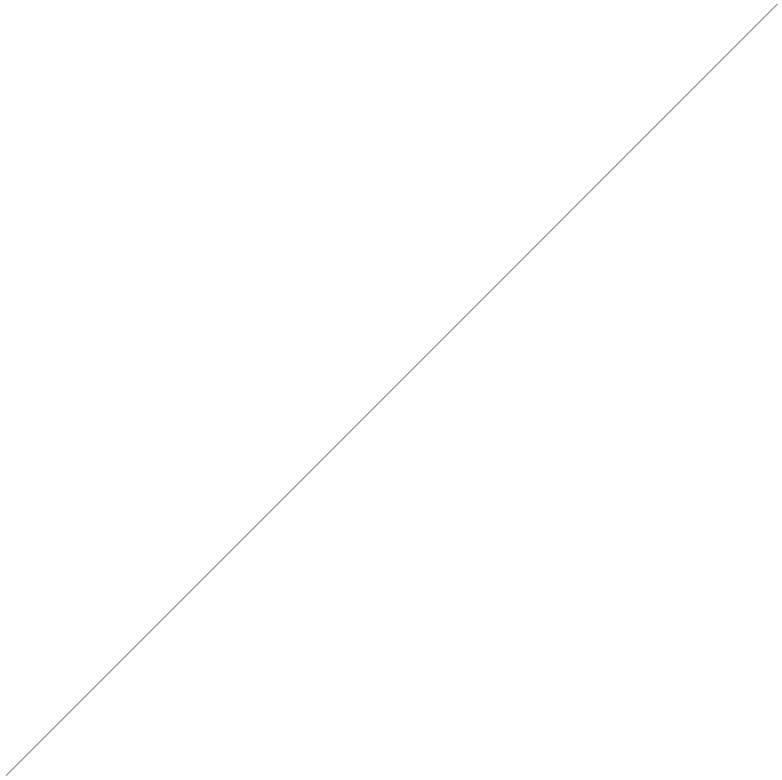
Assembly drawing 2 - ANSWER



PLAN



FRONT VIEW



END VIEW

