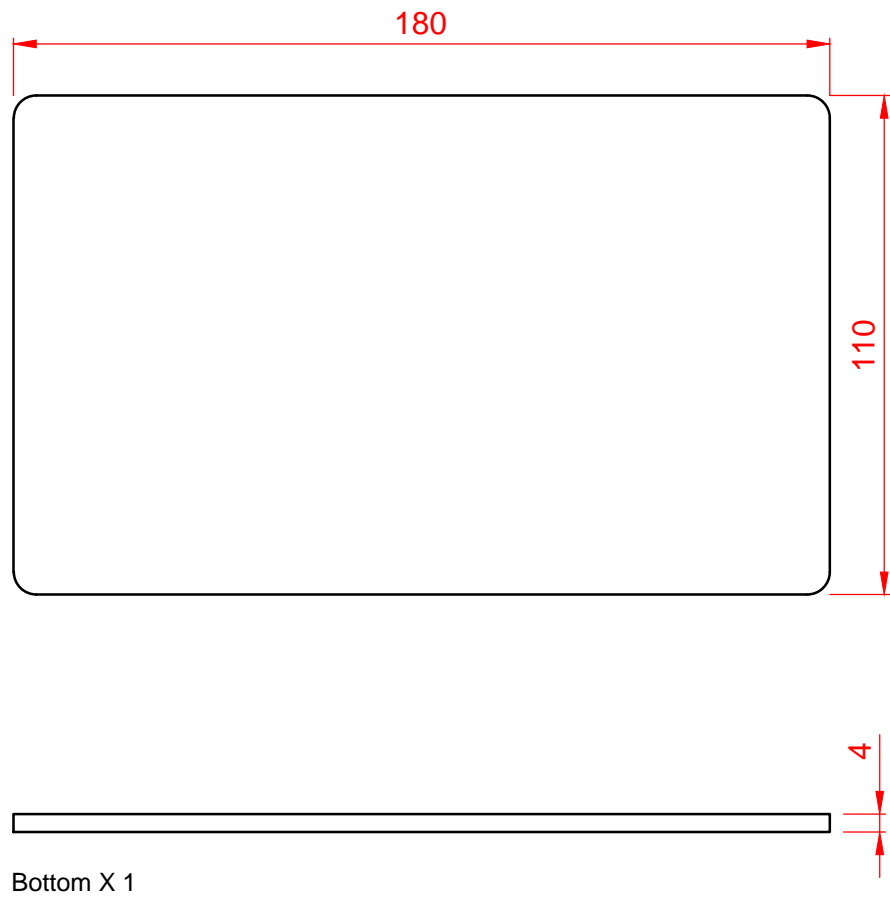
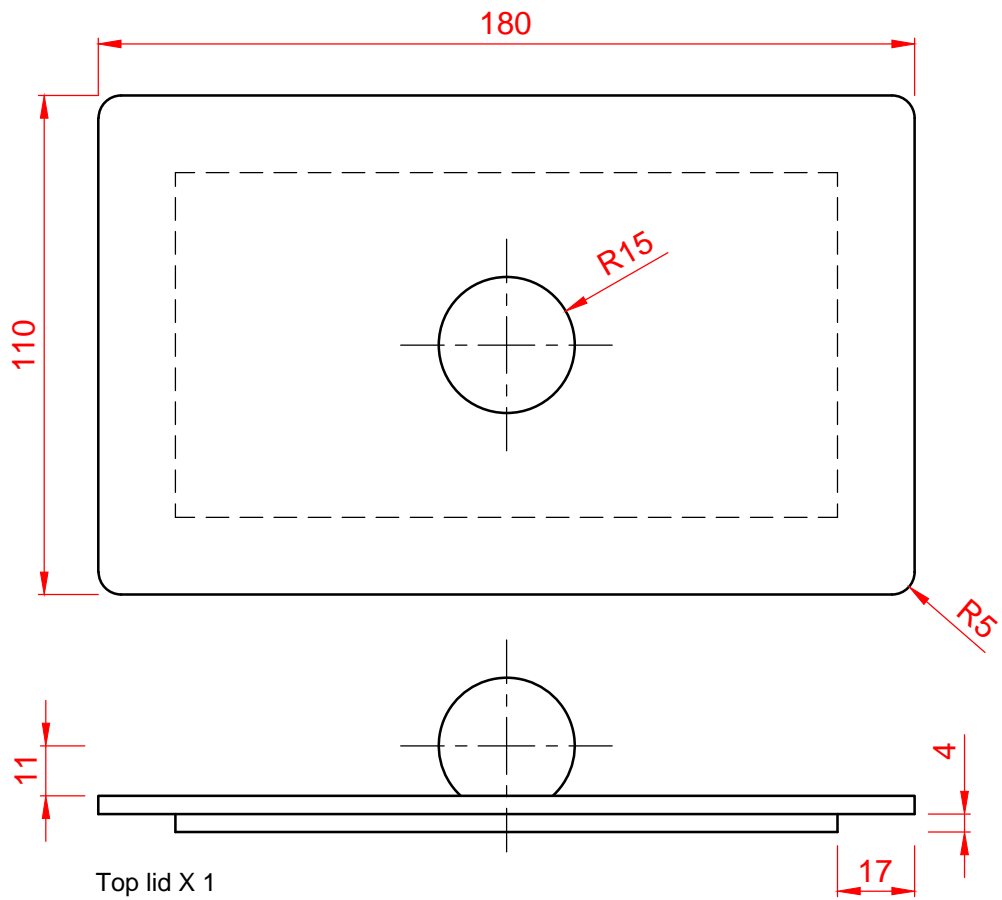
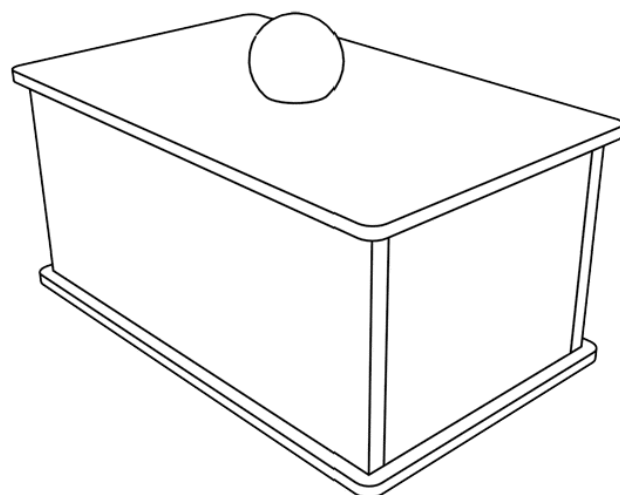
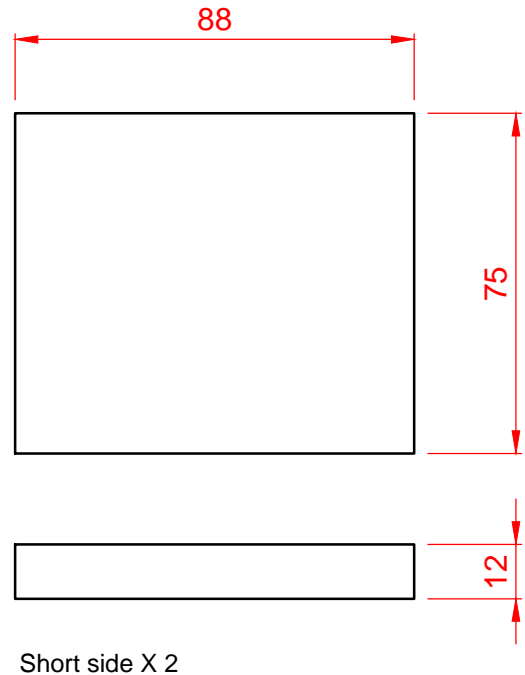
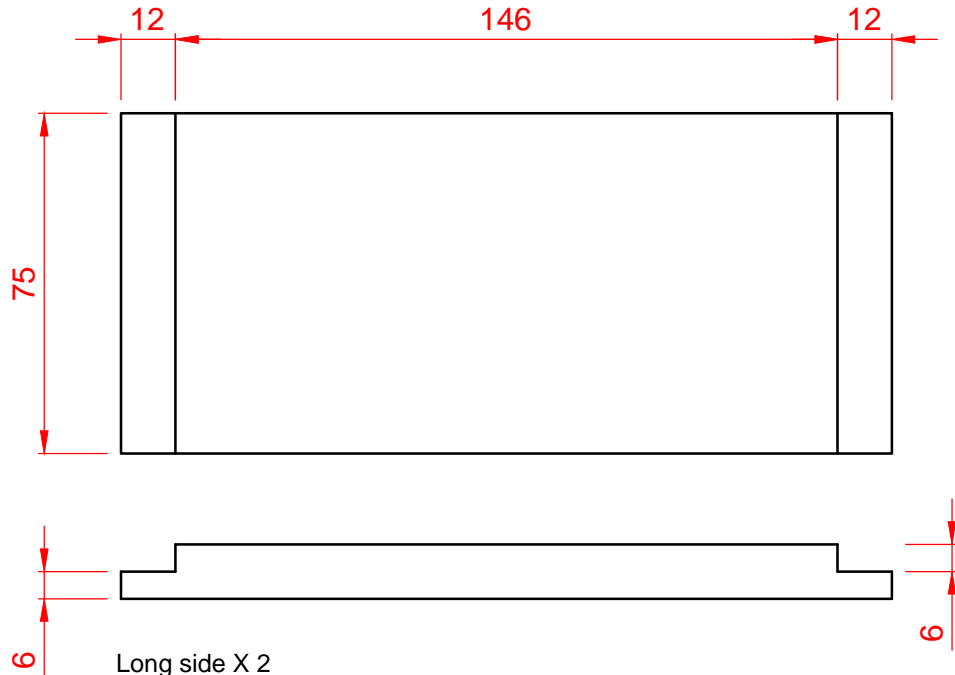
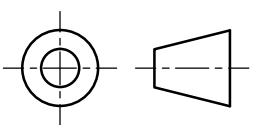


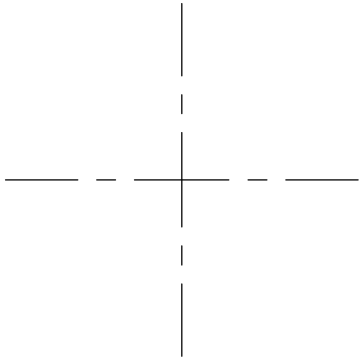
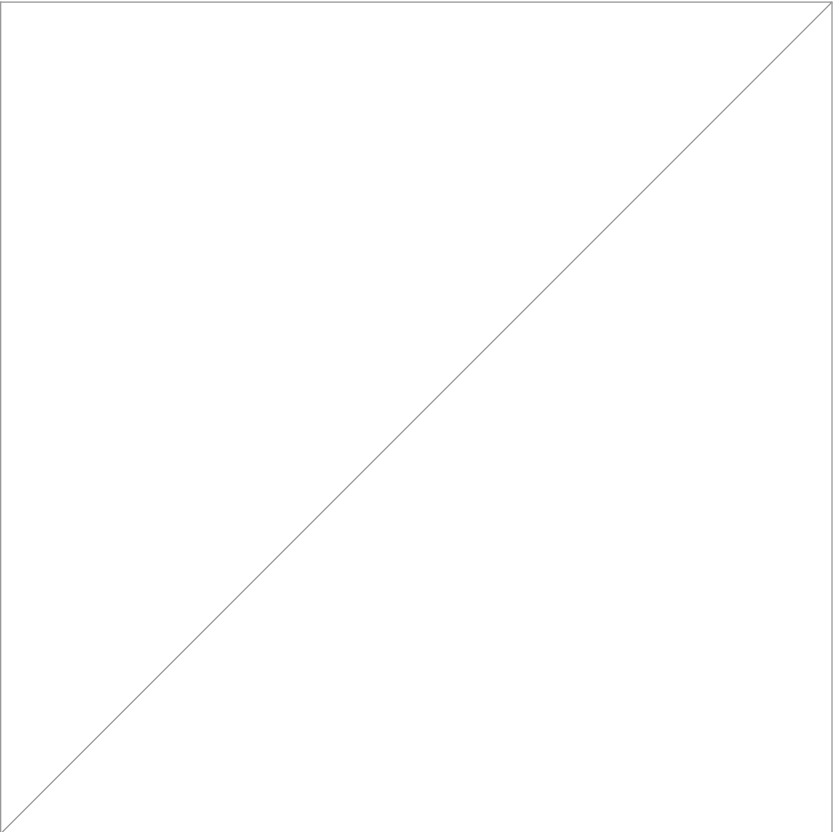
Assembly drawing 1 - BILL OF MATERIALS



To help you visualize the object better you can visit:
https://youtu.be/f9TZ1E_eRw8 for the video.

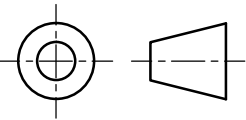


Assembly drawing 1 - STARTER SHEET

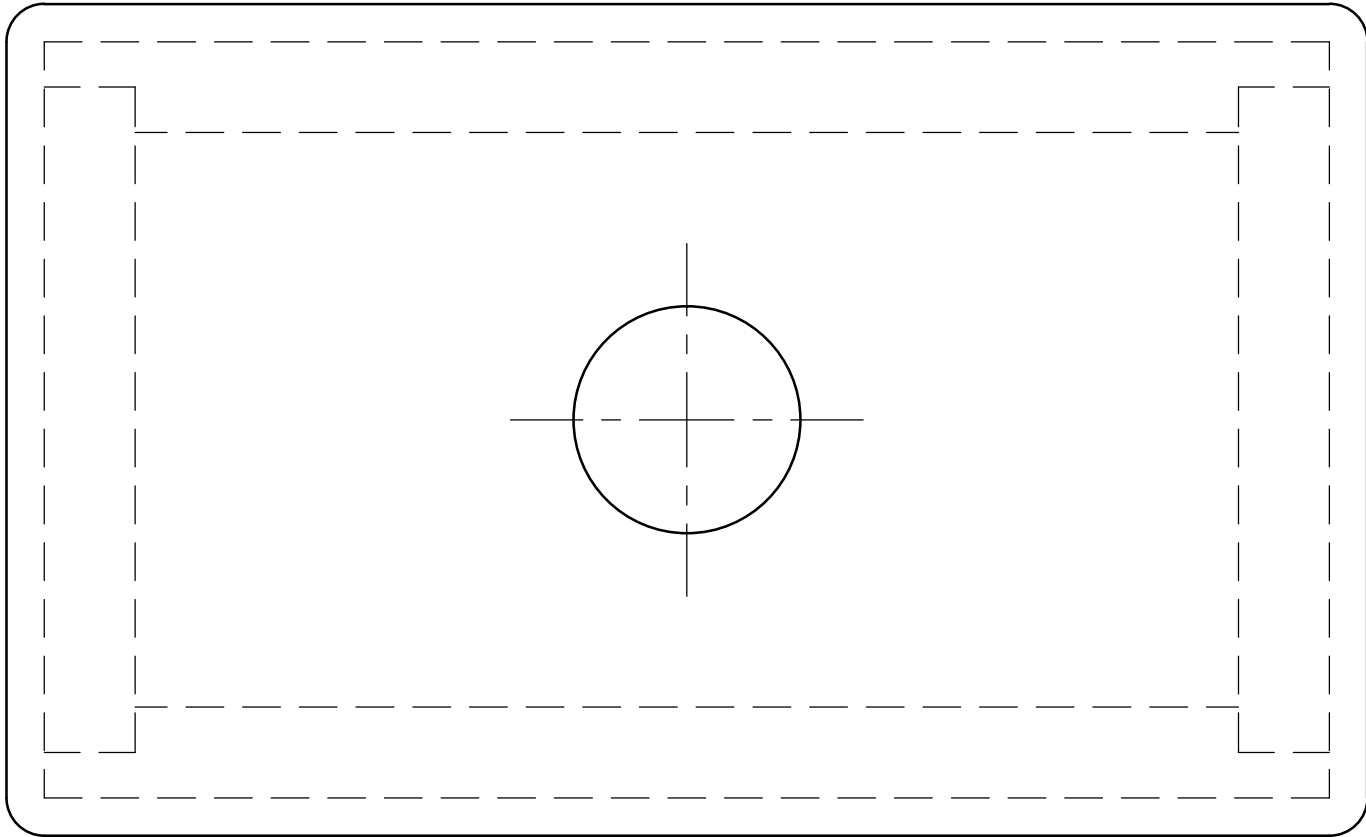
		
PLAN		

FRONT VIEW

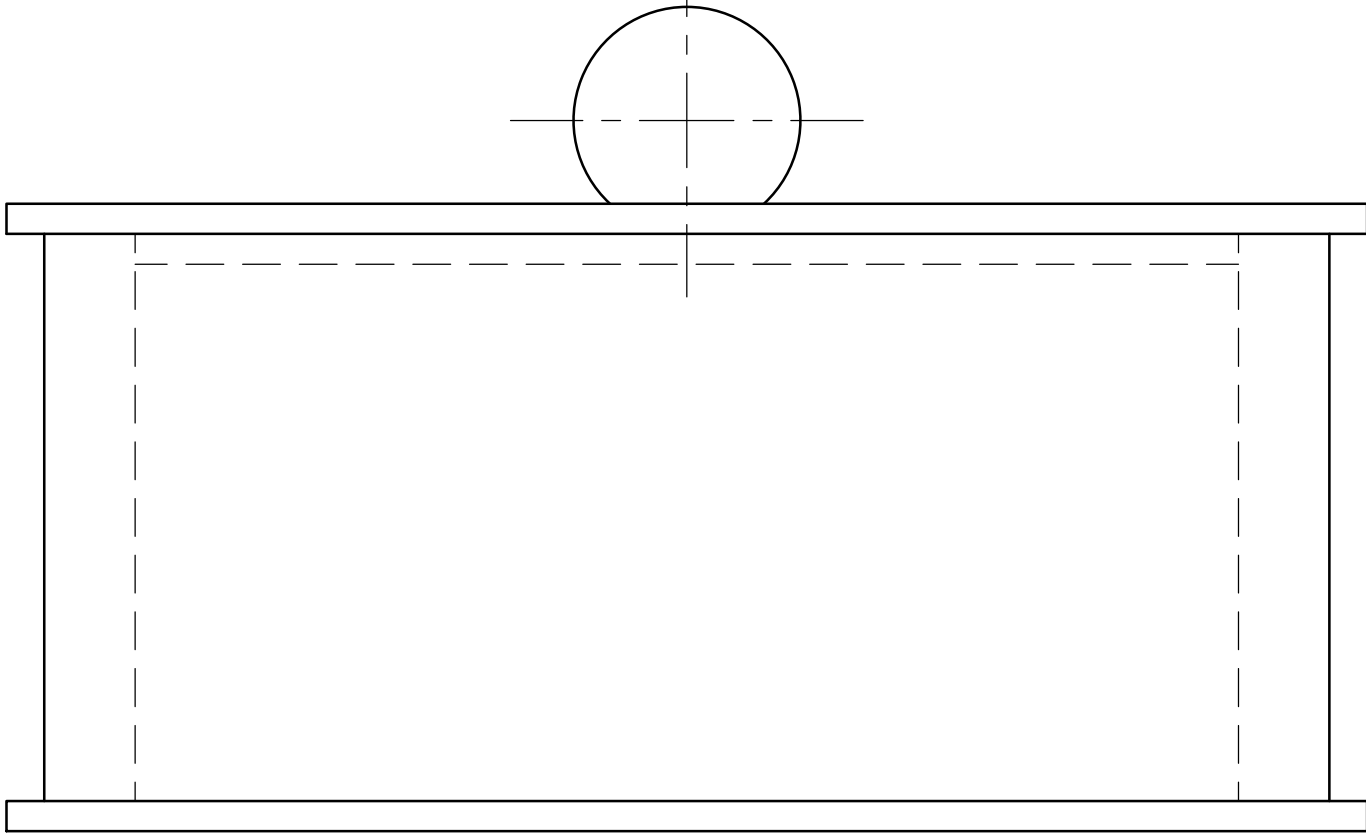
END VIEW



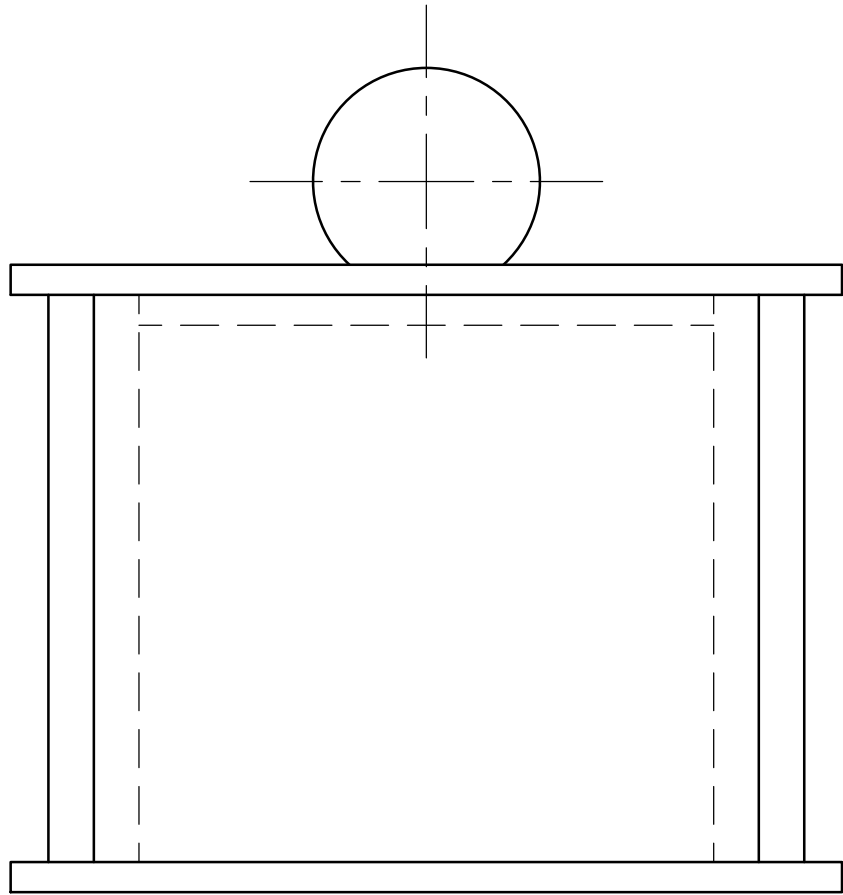
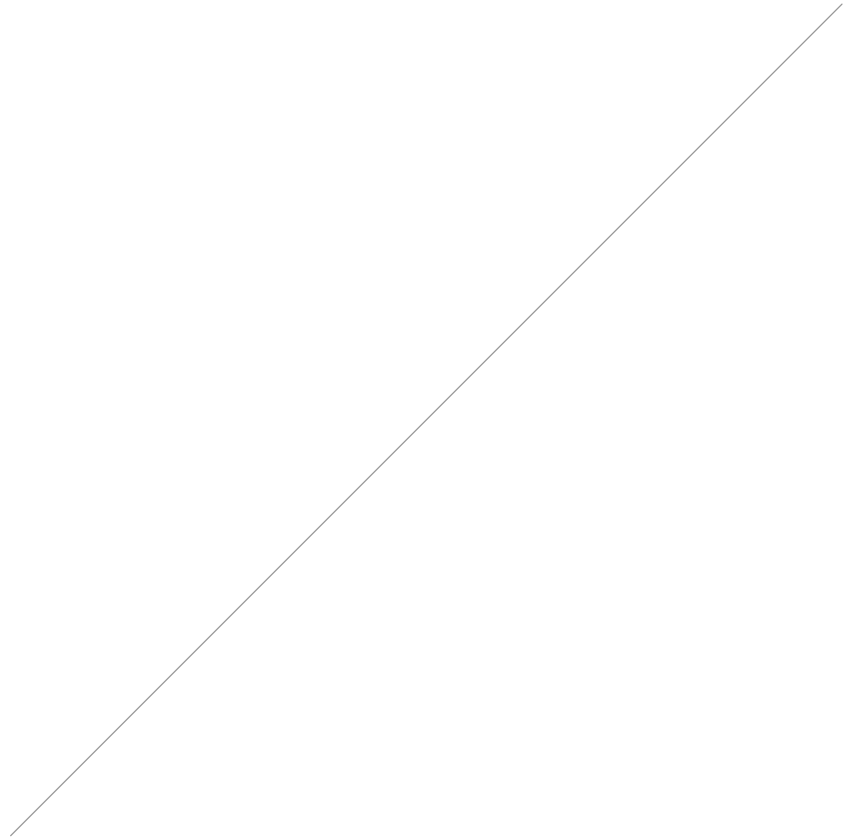
Assembly drawing 1 - ANSWER



PLAN



FRONT VIEW



END VIEW

